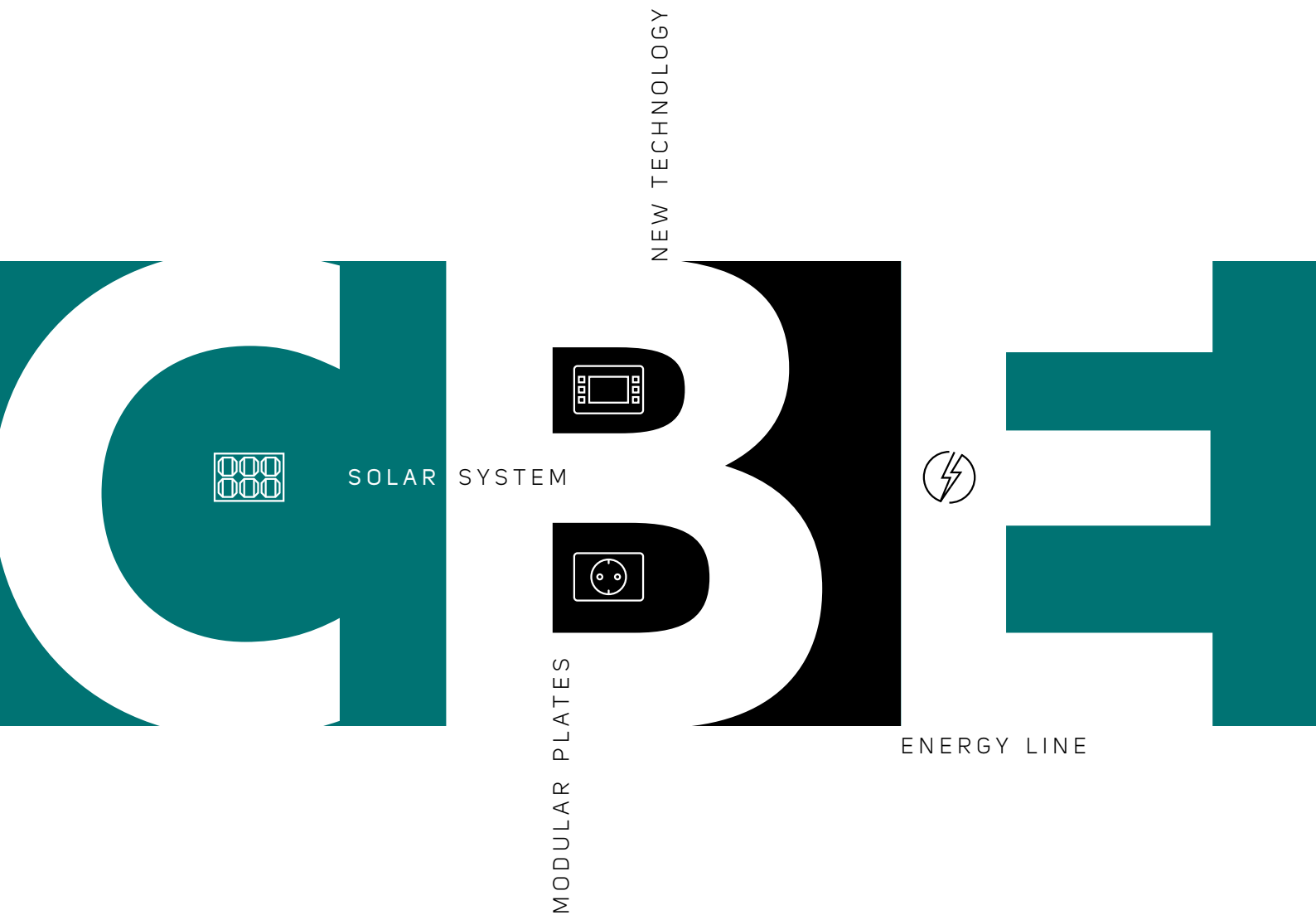


ELECTRONICS FOR CARAVANNING AND BOATING



PRODUCT CATALOGUE
2020/21





→	SOLAR SYSTEM	04
	CBE PHOTOVOLTAIC MODULES	06
	CBE SOLAR BOOSTER SET	07
	ACCESSORIES	08
<hr/>		
→	NEW TECHNOLOGY	12
	CONTROL PANELS	14
	TEST PANELS	20
	GAS DETECTORS	22
<hr/>		
→	MODULAR PLATES	24
	SWITCHES	26
	SOCKETS	28
	ACCESSORIES	31
	FRAMES	33
<hr/>		
→	ENERGY LINE	36
	BATTERY CHARGERS	38
	REFRIGERATOR FANS	41
	12V/230V INVERTERS	42
	DIMMER	43
	BATTERY SEPARATORS / ASSISTANCE KIT	44
	"PROCAR" 12V ACCESSORIES	45
	"CBE" 12V ACCESSORIES	49
	"CBE" 12V ACCESSORIES CARAVAN PLUGS AND SOCKETS	52
	"CBE" 230V ACCESSORIES	53



SOLAR SYSTEM

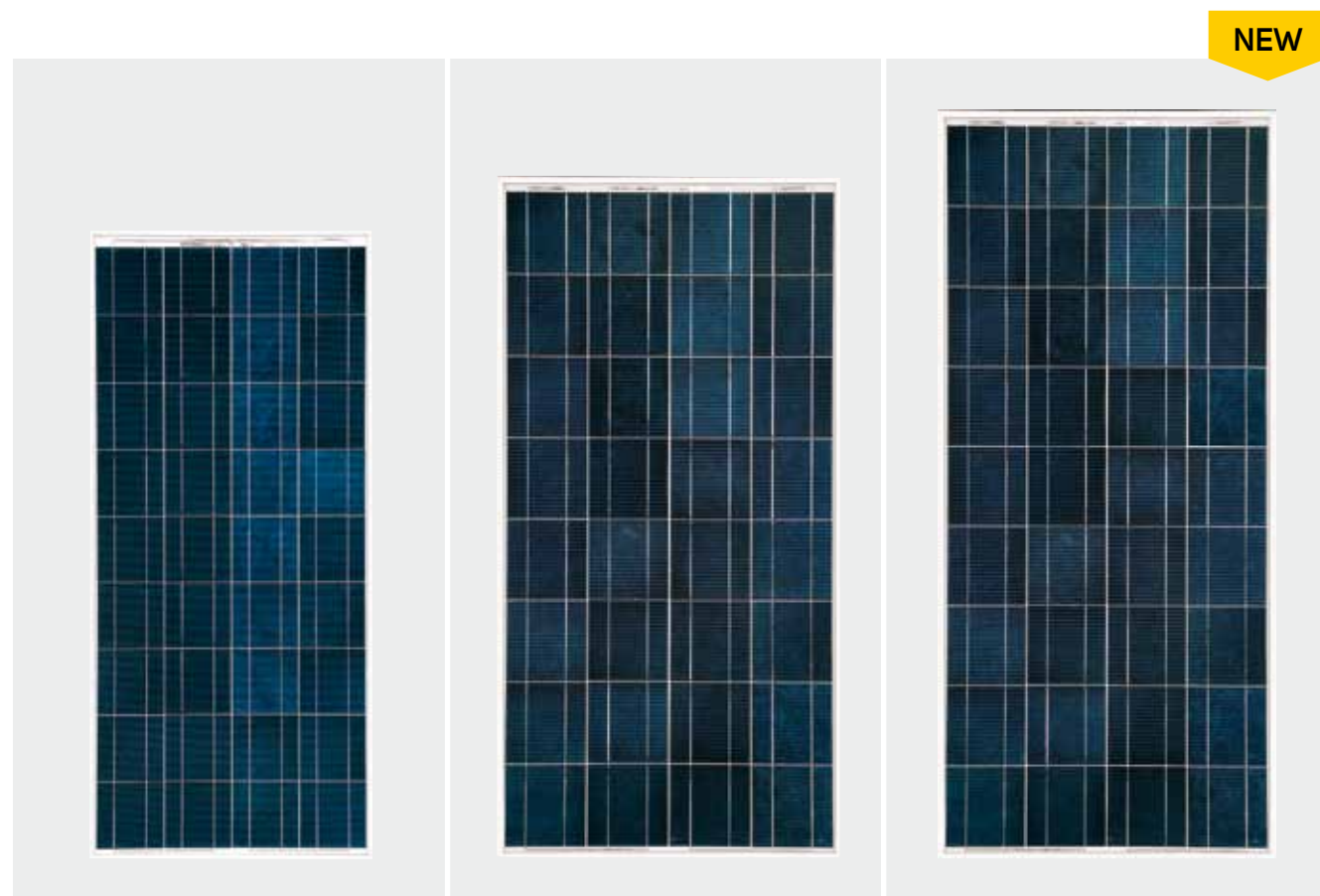
CBE PHOTOVOLTAIC MODULES ACCESSORIES
CBE SOLAR BOOSTER SET



CBE PHOTOVOLTAIC MODULES

CBE PHOTOVOLTAIC MODULES are made of monocrystalline or polycrystalline silicon cells. The special non-reflecting treatment these cells are exposed to, stops the mirror effect of the sun-rays on the cells' surface and increases the efficiency of the modules. The tempered glass is a high performance shock resistant and weatherproof material. A white "Tedlar" sheet protects the rear of the module: it prevents any water or humidity infiltration and isolates

the electrical contacts thus avoiding oxidation. The module's frame is made of anodized aluminium and the junction box installed on the rear of the module holds the by-pass diodes and the straight fitting necessary for the connection. CBE photovoltaic modules are manufactured using highly advanced technologies and comply with the Eu-Norms. Their declared power is covered by a 25 years warranty.



MF 100 100W

MF 135 135W

MF 165 165W

MODEL	MF100	MF135	MF165
PART-NR	215935	215946	215902
TYPE	MONOCRYSTALLINE	POLYCRYSTALLINE	POLYCRYSTALLINE
CELLS NUMBER	36	32	36
RATED VOLTAGE	12 V	12 V	12V
MAX POWER	100 W	135 W	165W
TOLERANCE	+3 %	+3 %	+3 %
OPEN CIRCUIT VOLTAGE	22,95 V	20,1V	23,45V
SHORT CIRCUIT VOLTAGE	5,85 A	8,8 A	8,8A
VOLTAGE AT MAX POWER	18,40 V	16,3V	19,4V
CURRENT AT MAX POWER	5,43 A	8,28 A	8,51A
DIMENSIONS (mm)	1200 x 540 x 30	1320 x 670 x 35	1480 x 670 x 35
WEIGHT (Kg)	7,8	11	12



CBE SOLAR BOOSTER SET

The new **CBE SOLAR BOOSTER SET**, consisting of the special MFB90 photovoltaic module and the PBS90 booster solar charge regulator, allows to fully exploit the current the 90W photovoltaic module can supply, enabling thus to obtain the best performance occupying less space. The MFB90 photovoltaic module is made of 21 high quality cells and operates at a voltage of approximately 11V. Combined with the PBS90 solar charge regulator provided with a "booster"

technology, namely equipped with a system that enables to boost the voltage and to control the current, its performance over a day can be compared to that of a 120W photovoltaic module. It is possible to connect the PT642 test panel (optional) to the new PBS90 booster solar charge regulator, in order to display the charging current and the battery voltage. **The MFB90 photovoltaic module and the PBS90 solar charge regulator cannot be sold separately.**



PBS90

MFB 90 90W

MODEL	KIT 90 BOOSTER
SOLAR CHARGE REGULATOR	PBS90 - 204290
PHOTOVOLTAIC MODULE	MFB90 - 215941
TYPE	POLYCRYSTALLINE
CELLS NUMBER	21
RATED VOLTAGE	12 V
MAX POWER	90W
TOLERANCE	+3 %
OPEN CIRCUIT VOLTAGE	13,28 V
SHORT CIRCUIT VOLTAGE	8,08 A
VOLTAGE AT MAX POWER	11,80 V
CURRENT AT MAX POWER	7,62 A
DIMENSIONS (mm)	1209 x 553 x 35
WEIGHT (Kg)	8,4

PRS150 AND PRS300 SOLAR CHARGE REGULATORS FOR 12V PHOTOVOLTAIC MODULES

The **PRS150** and **PRS300** solar charge regulators have been studied and manufactured in order to obtain the best possible performance of 12V photovoltaic modules.

PRS150 is suitable for photovoltaic solar modules up to max 150W. Its 2 LEDs show the current battery charging status and it is also designed to replace the PRS110 model.

PRS300 is suitable for photovoltaic modules up to 300W total power. It can be connected to the test panel PT642, which is necessary in order to check the charging current of the photovoltaic modules and the battery's voltage. PRS300 features three different charging lines (to be manually selected thanks to the commutator installed inside the solar charge regulator). There is also a battery desulphation function, which is automatically enabled only when the battery needs it. The four LEDs indicate that the solar charge regulator is ON, the current battery charging status and a wrong connection.

NEW



PRS150 204268

PRS300 204274

MODEL	PRS150	PRS300
PART-NR	204268	204274
RATED VOLTAGE	12V	12V
MAX POWER PHOTOVOLTAIC MODULES	150W	300W
NUMBER OF PHOTOVOLTAIC MODULES CONNECTIONS	1	2
AUTOMATIC SHUTDOWN	In absence of sunlight	In absence of sunlight
END-OF-CHARGE VOLTAGE	14,1V	14,1V (A) - 14,3V (B) - 14,7V (C)
FLOAT VOLTAGE	13,5V	13,5V (A) - 13,8V (B) - 13,8V (C)
NUMBER OF CHARGE LINES	1	3
BATTERY DESULPHATION	NO	YES
REVERSE CURRENT BLOCKING PROTECTION	Diode	Electronic
REVERSE POLARITY PROTECTION	YES	YES
TEST PANEL CONNECTION	NO	PT 642
DIMENSIONS (mm)	115 x 90 H37	115 x 90 H37

NEW PRM330 MPPT SOLAR CHARGE REGULATOR FOR 12V AND 24V PHOTOVOLTAIC MODULES

The new PRM330 solar charge regulator is suitable for 12V photovoltaic modules up to 280W total power and for 24V photovoltaic modules up to 330W total power. It has been studied and manufactured with innovative electrical techniques and is designed to charge 12V batteries only. It features a MPPT system (Maximum Power Point Tracker), which constantly measures the current and voltage values, taking advantage in every situation of the maximum power supplied by the photovoltaic module.

Thanks to this technology, the performance can be up to 20% higher than the one offered by a traditional system. PRM330 can be connected to the test panel PT642, which is necessary in order to check the charging current of the photovoltaic modules and the battery's voltage.

NEW

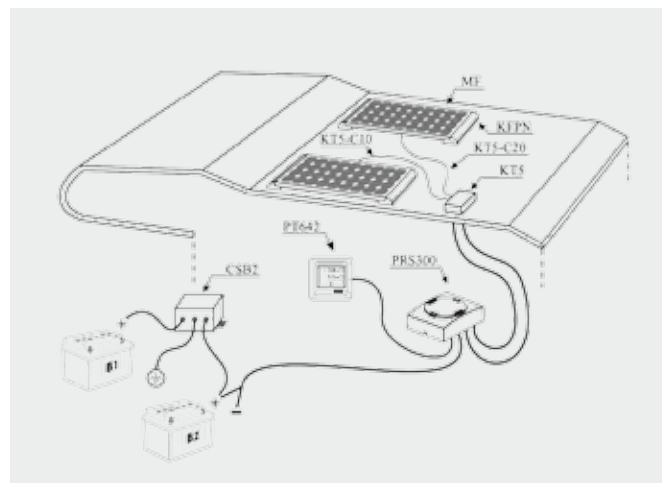


PRM330 204284

MODEL	PRM330
PART-NR	204284
BATTERY RATED VOLTAGE	12V
MAX POWER PHOTOVOLTAIC MODULES	280W (modules 12V) – 330W (modules 24V)
NUMBER OF PHOTOVOLTAIC MODULES CONNECTIONS	2
AUTOMATIC SHUTDOWN	In absence of sunlight
END-OF-CHARGE VOLTAGE	14,1V (A) - 14,3V (B) - 14,7V (C) - 14,5V (Li)
FLOAT VOLTAGE	13,5V (A) - 13,8V (B) - 13,8V (C) - 13,5V (Li)
NUMBER OF CHARGE LINES	4
BATTERY DESULPHATION	YES
REVERSE CURRENT BLOCKING PROTECTION	Electronic
REVERSE POLARITY PROTECTION	YES
TEST PANEL CONNECTION	PT 642
DIMENSIONS (mm)	160 x 80 H40



WIRING DIAGRAM



NEW



KFPN

NEW SOLAR PANEL FIXING KITS

The new KFPN fixing kits are made of anodized aluminum and feature an innovative and aerodynamic design. They have been studied specifically for motorhomes and caravans and are easy to install, as they do not require holes.

MODEL	PART-NR	DIMENSIONS (mm)	WEIGHT (Kg)
KFPN530	250410	530 x 60 x 50	0,45
KFPN670	250425	670 x 60 x 50	0,55

AVAILABLE ONLY AS A SPARE PART



PT 642 / G 204642
PT 642 / M 204643

12V TOUCH TEST PANEL for the control of battery voltage and current supplied by the solar panel. The kit includes a cable 1,5m long, a wall-fixing spacer and a "BMAC1C" frame. It works only with "PRS300", "PBS90" and "PRM330" solar charge regulators. This panel fits also the new "Modular Plates" range.
Colours: /G Grey RAL 7015
/M Brown RAL 8016
Dimensions: 60 x 60mm

PT 542 / G 204542
PT 542 / M 204543

TEST PANEL for the control of battery voltage and current supplied by the solar panel. The kit includes a cable 1,5 m long, a wall-fixing spacer and a "MAC1P" frame. It works only with "PRS240" regulator. This panel fits also the new "Modular Plates" range.
Colours: /G Grey RAL 7015
/M Brown RAL 8016
Dimensions: 60 x 60mm

CSB2 205025

CAR BATTERY AUTOMATIC RECHARGING DEVICE. When the leisure battery voltage exceeds 13,6V (battery charger and/or solar panel are charging), the device allows to recharge the car battery (through the leisure battery). Charging current is set to max 4A, according to the batteries' condition. When the leisure battery voltage is lower than 12,5V, the car battery recharging system is deactivated. When the green LED is on, it means that the CSB-2 is ready to recharge the car battery if necessary.
Dimensions: 80 x 50 x 50mm



KT1 707200
1-EXIT ROOF DUCT
(for KTR-G 12mm diameter sheath).
For maximum roof thickness of 60mm.



KT5 707050
5-EXITS ROOF DUCT for the wiring of photovoltaic modules, cameras or antennas.
For maximum roof thickness of 60mm.
Dimensions: 20 x 90 x 30mm



KTR-G 707134
CABLE SHEATH, diameter 12mm, weather-proof and UV resistant. L=50 m.
Colour: grey.



KTR-P 707130*
PG11 CABLE GLAND complete with nut & gasket. Suitable for Mod. "KT5" roof duct kit. Colour: grey.



KTR-F 707136*
FASTENER for 12mm diameter sheath. Colour: grey.



KTR-R 707132*
PG11 STRAIGHT FITTING for KTR-G 12mm diameter sheath complete with nut & gasket. Suitable for "KT5" roof duct kit. Colour: grey.



KT1-10 707210
1-EXIT ROOF DUCT
provided with cable sheath L=1m and 2 x 6mm² L=2m cables.

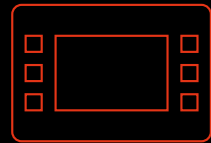
KT1-20 707220
1-EXIT ROOF DUCT
provided with cable sheath L=2m and 2 x 6 mm² L=3m cables.



KT5-C10 707051
KIT FOR "KT5" provided with cable sheath L=1m and 2 x 6 mm² 2m long cables. Provided with PG11 fittings and terminals for photovoltaic module connection.

KT5-C20 707052
KIT FOR "KT5" provided with sheath L=2m and 2 x 6 mm² 3m long cables. Provided with PG11 fittings and terminals for photovoltaic module connection.

* Minimum order 10 pieces or multiples of 10



NEW TECHNOLOGY

CONTROL PANELS

TEST PANELS

GAS DETECTORS





SYSTEM PC380

Microprocessor controlled digital system with 4,8" GRAPHIC NEGATIVE LCD 12 COLOURS control panel.

Main functions:

- ▶ test car and service battery B1 and B2 condition (volt and graphic)
- ▶ test drinking water tank level (percentage and graphic)
- ▶ waste water tank alarm
- ▶ electronic battery separator
- ▶ control 3-way fridge
- ▶ protection fuses
- ▶ control car battery recharging
- ▶ save service battery function
- ▶ digital clock
- ▶ test internal and external temperature
- ▶ software update via USB
- ▶ "twilight" sensor

Control panel dimensions 190 x 130 mm

SYSTEM PC320

Microprocessor controlled digital system with 4,8" GRAPHIC LCD 12 COLOURS control panel.

Main functions:

- ▶ test car and service battery B1 and B2 condition (volt and graphic)
- ▶ test drinking water tank level (percentage and graphic)
- ▶ waste water tank alarm
- ▶ electronic battery separator
- ▶ control 3-way fridge
- ▶ protection fuses
- ▶ control car battery recharging
- ▶ save service battery function
- ▶ digital clock
- ▶ test internal and external temperature

Control panel dimensions 181 x 131 mm



THE SYSTEM INCLUDES:	MODEL	PART-NR
CONTROL PANEL	PC380	113800
12V DISTRIBUTION BOX, PROTECTION FUSES	DS300	209000
12V 16A SWITCHING BATTERY CHARGER	CB516-3	321517
DRINKING WATER ELECTRONIC TANKPROBE (indicate the tank height on the purchase order)	SPE/ ...	5120:::
SCREW PROBES FOR WASTE WATER TANK	SS/P	505000
CABLES KIT FOR TANKPROBES L=6m	CCS200	709020
CABLE FOR CONTROL PANEL L=6m	CP973-6	709623
CABLE WITH SENSORS FOR INTERNAL AND EXTERNAL TEMPERATURE (L=1,5m and L=5m)	CTIE-2	708661
50A FUSE + FUSE-HOLDER	R450	222551

THE SYSTEM INCLUDES:	MODEL	PART-NR
CONTROL PANEL	PC320	113200
12V DISTRIBUTION BOX, PROTECTION FUSES	DS300	209000
12V 16A SWITCHING BATTERY CHARGER	CB516-3	321517
DRINKING WATER ELECTRONIC TANKPROBE (indicate the tank height on the purchase order)	SPE/ ...	5120:::
SCREW PROBES FOR WASTE WATER TANK	SS/P	505000
CABLES KIT FOR TANKPROBES L=6m	CCS200	709020
CABLE FOR CONTROL PANEL L=6m	CP973-6	709623
CABLE WITH SENSORS FOR INTERNAL AND EXTERNAL TEMPERATURE (L=1,5m and L=5m)	CTIE-2	708661
50A FUSE + FUSE-HOLDER	R450	222551



SYSTEM PC220

Microprocessor controlled digital system with 3" GRAPHIC LCD 12 COLOURS control panel.

Main functions:

- ▶ test car and service battery B1 and B2 condition (volt and graphic)
- ▶ test drinking water tank level (percentage and graphic)
- ▶ waste water tank alarm
- ▶ electronic battery separator
- ▶ control 3-way fridge
- ▶ protection fuses
- ▶ control car battery recharging
- ▶ save service battery function
- ▶ digital clock
- ▶ test internal and external temperature

Control panel dimensions 181 x 131 mm



SYSTEM PC210

Microprocessor controlled digital system with 2,9" GRAPHIC LCD 12 COLOURS control panel.

Main functions:

- ▶ touch capacitive buttons
- ▶ test car and service battery B1 and B2 condition (volt and graphic)
- ▶ test drinking water tank level (percentage and graphic)
- ▶ waste water tank alarm
- ▶ electronic battery separator
- ▶ control 3-way fridge
- ▶ protection fuses
- ▶ control car battery recharging
- ▶ save service battery function
- ▶ test internal and external temperature

Control panel dimensions 170 x 80 mm



THE SYSTEM INCLUDES:	MODEL	PART-NR
CONTROL PANEL	PC220	112200
12V DISTRIBUTION BOX, PROTECTION FUSES	DS300	209000
12V 16A SWITCHING BATTERY CHARGER	CB516-3	321517
DRINKING WATER ELECTRONIC TANKPROBE (indicate the tank height on the purchase order)	SPE/ ...	5120:::
SCREW PROBES FOR WASTE WATER TANK	SS/P	505000
CABLES KIT FOR TANKPROBES L=6m	CCS200	709020
CABLE FOR CONTROL PANEL L=6m	CP973-6	709623
CABLE WITH SENSORS FOR INTERNAL AND EXTERNAL TEMPERATURE (L=1,5m and L=5m)	CTIE-2	708661
50A FUSE + FUSE-HOLDER	R450	222551

THE SYSTEM INCLUDES:	MODEL	PART-NR
CONTROL PANEL	PC210	112100
12V DISTRIBUTION BOX, PROTECTION FUSES	DS300	209000
12V 16A SWITCHING BATTERY CHARGER	CB516-3	321517
DRINKING WATER ELECTRONIC TANKPROBE (indicate the tank height on the purchase order)	SPE/ ...	5120:::
SCREW PROBES FOR WASTE WATER TANK	SS/P	505000
CABLES KIT FOR TANKPROBES L=6m	CCS200	709020
CABLE FOR CONTROL PANEL L=6m	CP973-6	709623
CABLE WITH SENSORS FOR INTERNAL AND EXTERNAL TEMPERATURE (L=1,5m and L=5m)	CTIE-2	708661
50A FUSE + FUSE-HOLDER	R450	222551



SYSTEM PC180

Microprocessor controlled digital system with LED control panel.

Main functions:

- ▶ test car and service battery B1 and B2 condition
- ▶ test drinking water tank level
- ▶ waste water tank alarm
- ▶ electronic battery separator
- ▶ control 3-way fridge
- ▶ protection fuses
- ▶ control car battery recharging
- ▶ save service battery function
- ▶ "twilight" sensor

Control panel dimensions 190 x 130 mm

SYSTEM PC110

Microprocessor controlled digital system with LED control panel.

Main functions:

- ▶ test car and service battery B1 and B2 condition
- ▶ test drinking water tank level
- ▶ waste water tank alarm
- ▶ electronic battery separator
- ▶ control 3-way fridge
- ▶ protection fuses
- ▶ control car battery recharging
- ▶ save service battery function

Control panel dimensions 170 x 80 mm



THE SYSTEM INCLUDES:	MODEL	PART-NR
CONTROL PANEL	PC180	111800
12V DISTRIBUTION BOX, PROTECTION FUSES	DS300	209000
12V 16A SWITCHING BATTERY CHARGER	CB516-3	321517
DRINKING WATER TANKPROBE	SP5/40	505140
SCREW PROBES FOR WASTE WATER TANK	SS/P	505000
CABLES KIT FOR TANKPROBES L=6m	CCS910	709160
CABLE FOR CONTROL PANEL L=6m	CP973-6	709623
50A FUSE + FUSE-HOLDER	R450	222551

THE SYSTEM INCLUDES:	MODEL	PART-NR
CONTROL PANEL	PC110	111100
12V DISTRIBUTION BOX, PROTECTION FUSES	DS300	209000
12V 16A SWITCHING BATTERY CHARGER	CB516-3	321517
DRINKING WATER TANKPROBE	SP5/40	505140
SCREW PROBES FOR WASTE WATER TANK	SS/P	505000
CABLES KIT FOR TANKPROBES L=6m	CCS910	709160
CABLE FOR CONTROL PANEL L=6m	CP973-6	709623
50A FUSE + FUSE-HOLDER	R450	222551



SYSTEM PC100

Microprocessor controlled digital system with LED control panel.

Main functions:

- ▶ test car and service battery B1 and B2 condition
- ▶ test drinking water tank level
- ▶ waste water tank alarm
- ▶ electronic battery separator
- ▶ control 3-way fridge
- ▶ protection fuses
- ▶ control car battery recharging
- ▶ save service battery function

Control panel dimensions 192 x 78 mm

SYSTEM C860

Microprocessor controlled digital system with LED control panel.

Main functions:

- ▶ test car and service battery B1 and B2 condition
- ▶ test drinking water tank level
- ▶ waste water tank alarm
- ▶ electronic battery separator
- ▶ control 3-way fridge
- ▶ protection fuses

Control panel dimensions 281 x 75 mm



THE SYSTEM INCLUDES:	MODEL	PART-NR
CONTROL PANEL	PC100	111000
12V DISTRIBUTION BOX, PROTECTION FUSES	DS300	209000
12V 16A SWITCHING BATTERY CHARGER	CB516-3	321517
DRINKING WATER TANKPROBE	SP5/40	505140
SCREW PROBES FOR WASTE WATER TANK	SS/P	505000
CABLES KIT FOR TANKPROBES L=6m	CCS910	709160
CABLE FOR CONTROL PANEL L=6m	CP973-6	709623
50A FUSE + FUSE-HOLDER	R450	222551

THE SYSTEM INCLUDES:	MODEL	PART-NR
CONTROL PANEL	C860	108610
12V 16A SWITCHING BATTERY CHARGER	CB516-3	321517
ELECTRONIC BATTERY SEPARATOR	CSB40/S	402740
DRINKING WATER TANKPROBE	SP5/40	505040
SCREW PROBES FOR WASTE WATER TANK	SS/P	505000
CABLES KIT FOR TANKPROBES L=6m	CCS860	708060
50A FUSE + FUSE-HOLDER	R450	222551

**PARTS INCLUDED IN THE
PC210 - PC220 – PC320 – PC380 COMPLETE SYSTEMS**



DS300
12V DISTRIBUTION BOX, PROTECTION FUSES



CB516-3
12V 16A SWITCHING BATTERY CHARGER



SPE / ...
DRINKING WATER ELECTRONIC TANKPROBE



SS/P
SCREW PROBES FOR WASTE WATER TANK



CCS200
CABLES KIT FOR TANKPROBES L=6m



CP973-6
CABLE FOR CONTROL PANEL L=6m



CTIE-2
CABLE WITH SENSORS FOR
INTERNAL AND EXTERNAL
TEMPERATURE (L=1,5m and L=5m)



R450
50A FUSE + FUSE-HOLDER

**PARTS INCLUDED IN THE
PC100 – PC110 – PC180 COMPLETE SYSTEMS**



DS300
12V DISTRIBUTION BOX, PROTECTION FUSES



CB516-3
12V 16A SWITCHING BATTERY CHARGER



SP5/40
DRINKING WATER TANKPROBE



SS/P
SCREW PROBES FOR WASTE WATER TANK



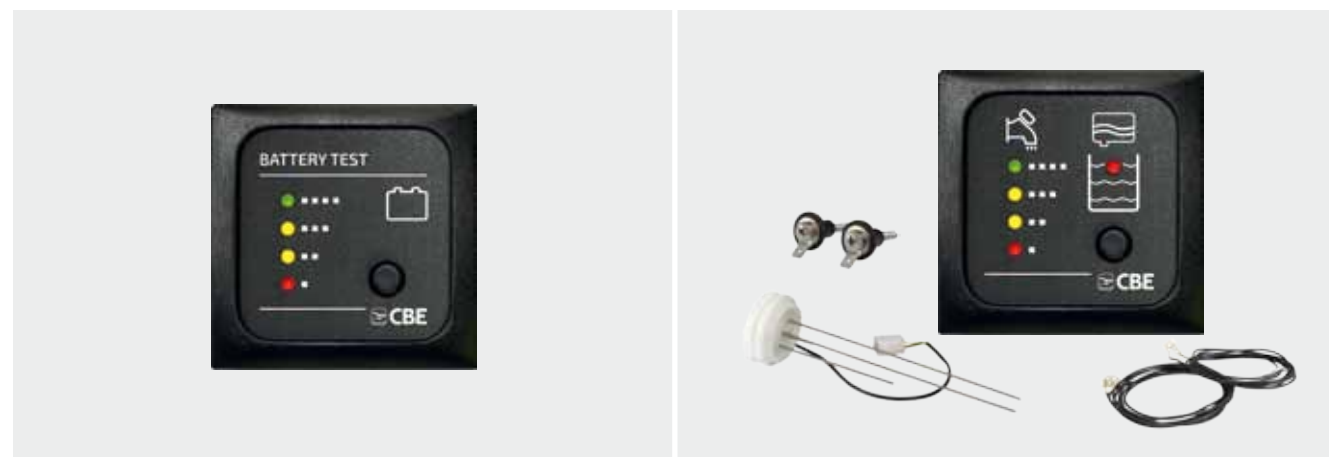
CCS910
CABLES KIT FOR TANKPROBES L=6m



CP973-6
CABLE FOR CONTROL PANEL L=6m



R450
50A FUSE + FUSE-HOLDER



MTB / G 212892

MTB / M 212893

12V LED BATTERY VOLTAGE TEST PANEL

The kit includes "BMAC1C" frame and "MAD" spacer. This panel fits also the "Modular Plates" range.

Dimensions: 60 x 60 mm.

MT214 / G 212898

MT214 / M 212895

12V LED TEST PANEL for one drinking water tank and one waste water tank. This panel fits also the "Modular Plates" range.

The kit includes

2 cables L=4m, tankprobe "SP5/40", waste water tank screws "SS/P" and "BMAC1C" frame.

Dimensions: 60 x 60 mm.



MTT / G 270572

MTT / M 270576

12V LED TEST PANEL for one drinking water tank. This panel fits also the "Modular Plates" range.

The kit includes

1 cable L=4m, tankprobe "SP5/40", "BMAC1C" frame and "MAD" spacer.

Dimensions: 60 x 60 mm.

MTTR / G 270573

MTTR / M 270577

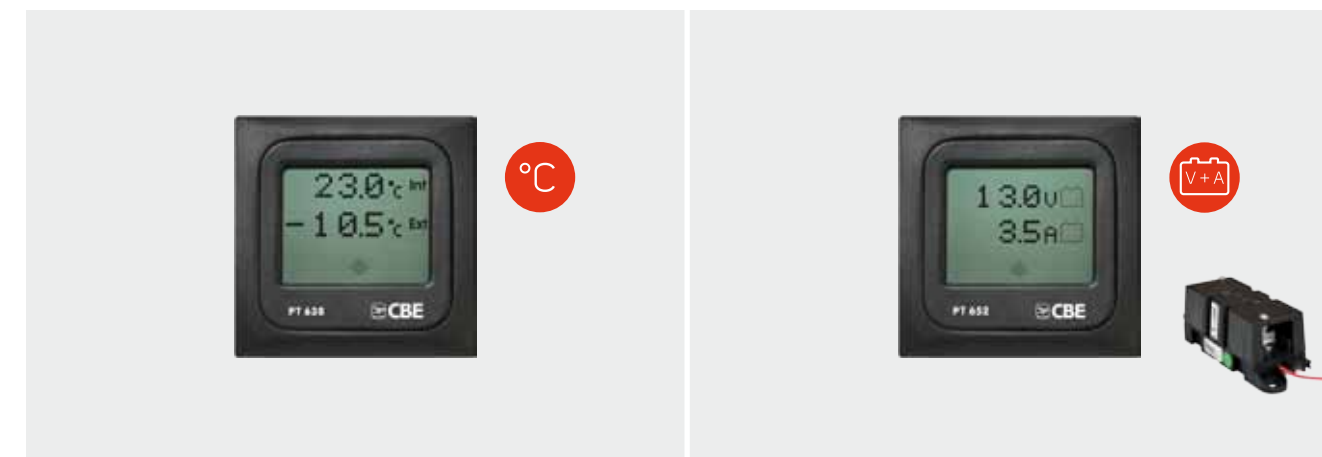
12V LED TEST PANEL for one waste water tank. This panel fits also the "Modular Plates" range.

The kit includes

1 cable L=4m, tankprobe "SP5/40", "BMAC1C" frame and "MAD" spacer.

Dimensions: 60 x 60 mm.

COLOURS:
... / G (Grey RAL 7015)
... / M (Brown RAL 8016)



PT638 / G 204638

PT638 / M 204639

12V TOUCH TEST PANEL to test the external and internal temperature. **The kit includes** sensor for external temperature L=3m, sensor for internal temperature L=1,5m, "BMAC1C" frame and a wall-fixing spacer.

This panel fits also the "Modular Plates" range.

12V Power supply. Dimensions: 60 x 60mm

PT652 / G 204652

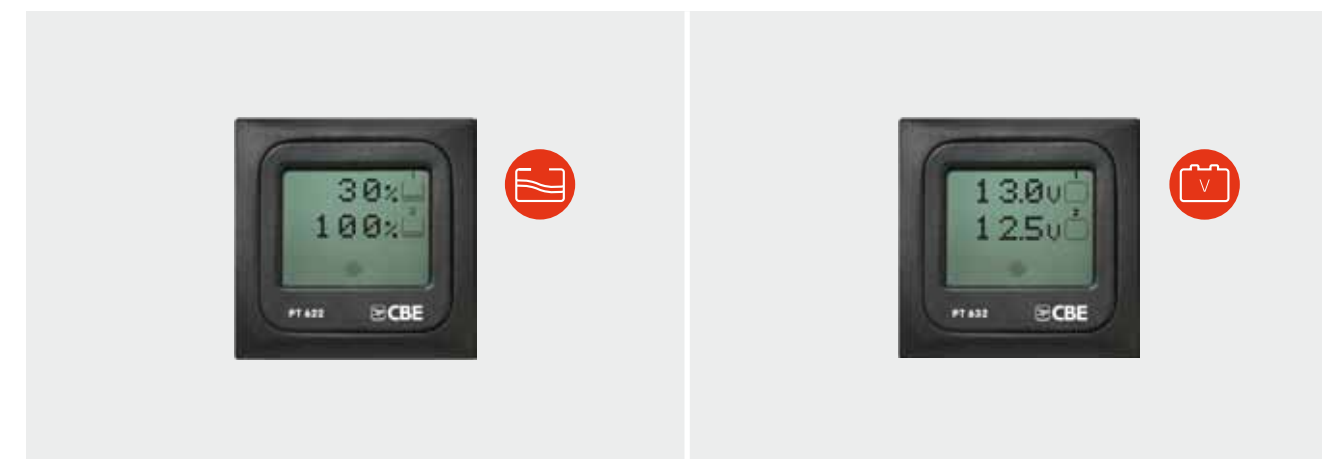
PT652 / M 204653

12V TOUCH TEST PANEL to test the voltage of a 12V battery and the discharge or the charge of the battery from -130A to +130A.

The kit includes a shunt ±130A, cable L=5m, "BMAC1C" frame and a wall-fixing spacer.

This panel fits also the "Modular Plates" range.

12V Power supply. Dimensions: 60 x 60mm



PT622 / G 204662

PT622 / M 204663

12V TOUCH TEST PANEL to test 2 water tanks' level in percentage. **The kit includes** 2 cables L=4m, "BMAC1C" frame and a wall-fixing spacer.

This panel fits also the "Modular Plates" range.

NB: electronic tankprobe mod. "SPE" must be ordered separately.

12V Power supply. Dimensions: 60 x 60mm

PT632 / G 204632

PT632 / M 204633

12V TOUCH TEST PANEL to test two 12V batteries' voltage

The kit includes "BMAC1C" frame and a wall-fixing spacer.

This panel fits also the "Modular Plates" range.

12V Power supply. Dimensions: 60 x 60mm

COLOURS:
... / G (Grey RAL 7015)
... / M (Brown RAL 8016)



BMTG / G 232800
BMTG / M 232801

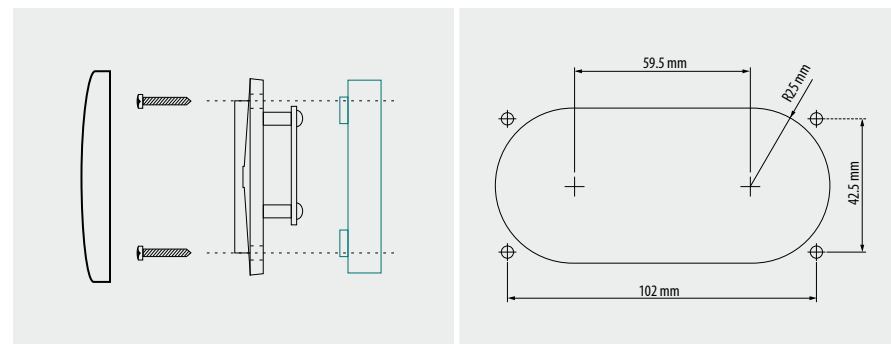
12V LPG AND SOPORIFIC GAS DETECTOR

The acoustic alarm detects the gas concentration in time to prevent poisoning accidents and before one tenth of the minimum level to cause an explosion is reached. The sensor can be set in accordance with the use and the install position. The detector is tested and calibrated using LPG and soporific gas. Average sensor life is about 10 years. Built-in fixing or wall-fixing with spacer.

The kit includes a "BMAC2" frame. This panel fits also the "BERKER INTEGRO" range.

12V Power supply.
Dimensions: 119 x 60 mm
Sensor consumption: 75mA
Acoustic power (beeper): 85 dB max at 1 meter distance

INSTALLATION



Wall-fixing with spacer

Built-in fixing

COLOURS:
 .../ G (Grey RAL 7021)
 .../ M (Brown RAL 8017)



BMTCO / G 232802
BMTCO / M 232803

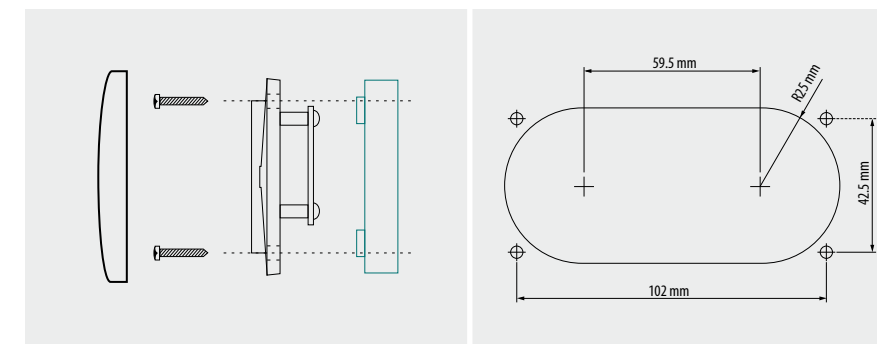
12V CARBON MONOXIDE DETECTOR

The acoustic alarm detects the gas concentration in time to prevent poisoning accidents. Carbon monoxide is a toxic gas produced by incomplete fossil fuel combustion or when combustion takes place in a room where oxygen concentration is very low. The detector is tested and calibrated using carbon monoxide. Average sensor life is about 10 years. Built-in fixing or wall-fixing with spacer.

The kit includes a "BMAC2" frame. This panel fits also the "BERKER INTEGRO" range.

12V Power supply.
Dimensions: 119 x 60 mm
Sensor consumption: 15mA
Acoustic power (beeper): 85 dB max at 1 meter distance

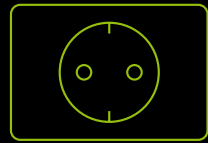
INSTALLATION



Wall-fixing with spacer

Built-in fixing

COLOURS:
 .../ G (Grey RAL 7021)
 .../ M (Brown RAL 8017)



MODULAR PLATES

SWITCHES SOCKETS ACCESSORIES FRAMES



MCN / ...
SWITCH

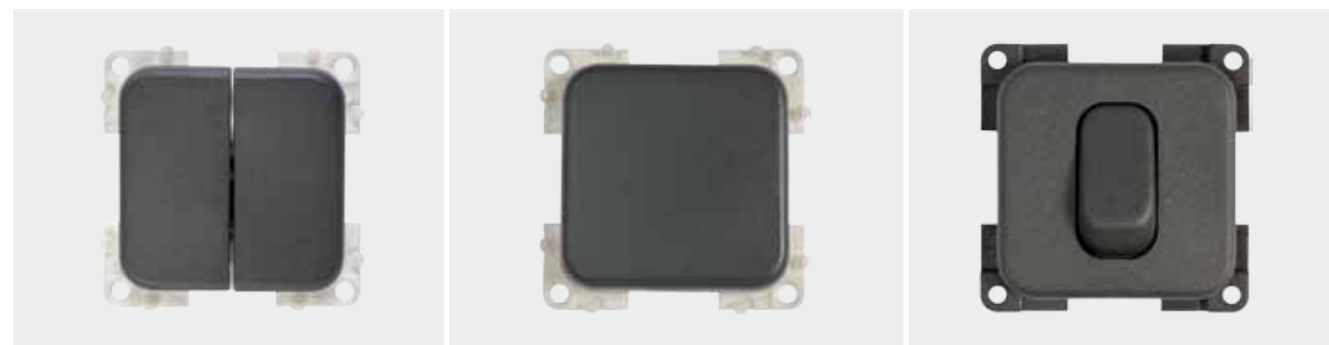
COLOUR	BLISTER	BOX *
... / G	212866	270122
... / M	212867	270126
... / B	212868	270120
... / GC	-	270124

MC12P / ...
12V SWITCH + LED

COLOUR	BLISTER	BOX *
... / G	212855	270132
... / M	212856	270136
... / B	-	270130
... / GC	-	270134

MC12N / ...
12V SWITCH + LED

COLOUR	BLISTER	BOX *
... / G	212994	272052
... / M	212995	272056
... / B	-	-
... / GC	-	272054



MC2N / ...
DOUBLE SWITCH

COLOUR	BLISTER	BOX *
... / G	212872	270142
... / M	212873	270146
... / B	212874	270140
... / GC	-	270144

MCD / ...
TWO-WAY SWITCH

COLOUR	BLISTER	BOX *
... / G	212869	270152
... / M	212870	270156
... / B	212871	270150
... / GC	-	270154

MCD1N / ...
TWO-WAY SWITCH

COLOUR	BLISTER	BOX *
... / G	212814	272062
... / M	212815	272066
... / B	-	-
... / GC	-	-

COLOURS:
... / G (Grey RAL 7015)
... / M (Brown RAL 8016)
... / B (White RAL 9010)
... / GC (Light Grey RAL 7035)

* Minimum order 10 pieces or multiples of 10



MCD2N / ...
DOUBLE TWO-WAY SWITCH

COLOUR	BLISTER	BOX *
... / G	212839	272082
... / M	212840	272086
... / B	-	272080
... / GC	-	272084

MCPL / ...
PUMP SWITCH + LIGHT SWITCH

COLOUR	BLISTER	BOX *
... / G	212862	270482
... / M	-	-
... / B	-	-
... / GC	-	-

MCP / ...
PUSH-BUTTON

COLOUR	BLISTER	BOX *
... / G	212990	270161
... / M	212991	270165
... / B	-	270160
... / GC	-	270163



MCG5 / ...
3 POSITION STEP PUSH-BUTTON

COLOUR	BLISTER	BOX *
... / G	212812	270272
... / M	212813	270276
... / B	-	270270
... / GC	-	270274

MCGD5 / ...
STEP PUSH-BUTTON +
12/24V LIGHT TWO-WAY SWITCH

COLOUR	BLISTER	BOX *
... / G	212837	272112
... / M	212838	272116
... / B	-	-
... / GC	-	-

COLOURS:
... / G (Grey RAL 7015)
... / M (Brown RAL 8016)
... / B (White RAL 9010)
... / GC (Light Grey RAL 7035)

* Minimum order 10 pieces or multiples of 10



MP12 / ...
STANDARD 12V SOCKET

COLOUR	BLISTER	BOX *
... / G	212822	270302
... / M	212823	270306
... / B	212821	270300
... / GC	-	-



MP12TV / ...
STANDARD 12V SOCKET + TV

COLOUR	BLISTER	BOX *
... / G	212826	270322
... / M	212827	270326
... / B	-	270320
... / GC	-	270324



MP12TVS / ...
STANDARD 12V SOCKET + TV + SAT

COLOUR	BLISTER	BOX *
... / G	212828	270332
... / M	212829	270336
... / B	-	270330
... / GC	-	270334



MP12A / ...
12V LIGHTER TYPE SOCKET

COLOUR	BLISTER	BOX *
... / G	212790	270172
... / M	212791	270176
... / B	212792	270170
... / GC	-	270174



MP12AC / ...
12V LIGHTER TYPE SOCKET + COVER

COLOUR	BLISTER	BOX *
... / G	212907	270182
... / M	212908	270186
... / B	212909	270180
... / GC	-	270184



MP12ACS / ...
12V WATERTIGHT LIGHTER TYPE SOCKET

COLOUR	BLISTER	BOX *
... / G	212917	270202
... / M	212918	270206
... / B	-	-
... / GC	-	-

COLOURS:
... / G (Grey RAL 7015)
... / M (Brown RAL 8016)
... / B (White RAL 9010)
... / GC (Light Grey RAL 7035)

* Minimum order 10 pieces or multiples of 10



MP12ATV / ...
12V LIGHTER TYPE SOCKET + TV

COLOUR	BLISTER	BOX *
... / G	212843	270212
... / M	212844	270216
... / B	-	270210
... / GC	-	270214



MP12ATVS / ...
12V LIGHTER TYPE SOCKET + TV + SAT

COLOUR	BLISTER	BOX *
... / G	212846	270232
... / M	212847	270236
... / B	-	270230
... / GC	-	270234



MPUSB / ...
5V/3A USB CHARGING SOCKET
(12V INPUT)

COLOUR	BLISTER	BOX *
... / G	212922	270642
... / M	212923	270646
... / B	-	-
... / GC	-	-



MP2USB / ...
5V/1A + 5V/2,1A DOUBLE USB CHARGING
SOCKET (12V INPUT)

COLOUR	BLISTER	BOX *
... / G	212921	270652
... / M	212929	270656
... / B	-	-
... / GC	-	-



MPTV / ...
TV SOCKET

COLOUR	BLISTER	BOX *
... / G	212849	270402
... / M	212850	270406
... / B	-	270400
... / GC	-	270404



MPTVS / ...
TV SOCKET + SAT

COLOUR	BLISTER	BOX *
... / G	212852	270412
... / M	212853	270416
... / B	-	270410
... / GC	-	270414

COLOURS:
... / G (Grey RAL 7015)
... / M (Brown RAL 8016)
... / B (White RAL 9010)
... / GC (Light Grey RAL 7035)

* Minimum order 10 pieces or multiples of 10



MPRCA6 / ...
6 RCA SOCKETS MODULE

COLOUR	BLISTER	BOX *
... / G	212649	270472
... / M	212650	270476
... / B	-	-
... / GC	-	-



MPRCA3TVS / ...
3 RCA + TV + SAT SOCKETS MODULE

COLOUR	BLISTER	BOX *
... / G	212919	270612
... / M	212920	270616
... / B	-	-
... / GC	-	-



MP22D / ...
230V SCHUKO SOCKET WITH COVER AND BACK PROTECTION BOX

COLOUR	BLISTER	BOX *
... / G	212880	270362
... / M	212881	270366
... / B	212882	270360
... / GC	-	270364



MP22I / ...
230V ITALIAN SOCKET WITH COVER AND BACK PROTECTION BOX

COLOUR	BLISTER	BOX *
... / G	212858	270392
... / M	212859	270396
... / B	-	270390
... / GC	-	270394



MP22B / ...
230V BRITISH STANDARD SOCKET WITH BACK PROTECTION BOX

COLOUR	BLISTER	BOX *
... / G	-	270342
... / M	-	270346
... / B	-	-
... / GC	-	-

COLOURS:
... / G (Grey RAL 7015)
... / M (Brown RAL 8016)
... / B (White RAL 9010)
... / GC (Light Grey RAL 7035)

* Minimum order 10 pieces or multiples of 10



MCR / ...
12V ELECTRONIC DIMMER FOR LIGHTS AND FANS (MAX 3A)

COLOUR	BLISTER	BOX *
... / G	212808	270502
... / M	212809	270506
... / B	-	270500
... / GC	-	270504



MPF4 / ...
4 FUSES MODULE

COLOUR	BLISTER	BOX *
... / G	212841	270492
... / M	-	-
... / B	-	-
... / GC	-	-



MCB / ...
STEP BUZZER MODULE

COLOUR	BLISTER	BOX *
... / G	212804	270512
... / M	-	-
... / B	-	-
... / GC	-	-



MP / ...
BLIND PLATE

COLOUR	BLISTER	BOX *
... / G	212700	273072
... / M	212701	273076
... / B	-	-
... / GC	-	-



MAD / ...
SPACER FOR WALL-FIXING
60 x 60 x 10mm

COLOUR	BLISTER	BOX *
... / G	212697	270602
... / M	212698	270606
... / B	212699	270600
... / GC	-	270604



MAP / ...
COVER

COLOUR	BLISTER	BOX *
... / G	212668	-
... / M	212667	-
... / B	212669	-
... / GC	-	-

COLOURS:
... / G (Grey RAL 7015)
... / M (Brown RAL 8016)
... / B (White RAL 9010)
... / GC (Light Grey RAL 7035)

* Minimum order 10 pieces or multiples of 10



MAS 45 212676
BACK PROTECTION BOX
Ø45 L=48mm

MAS 50 212677
BACK PROTECTION BOX
Ø50 L=34mm

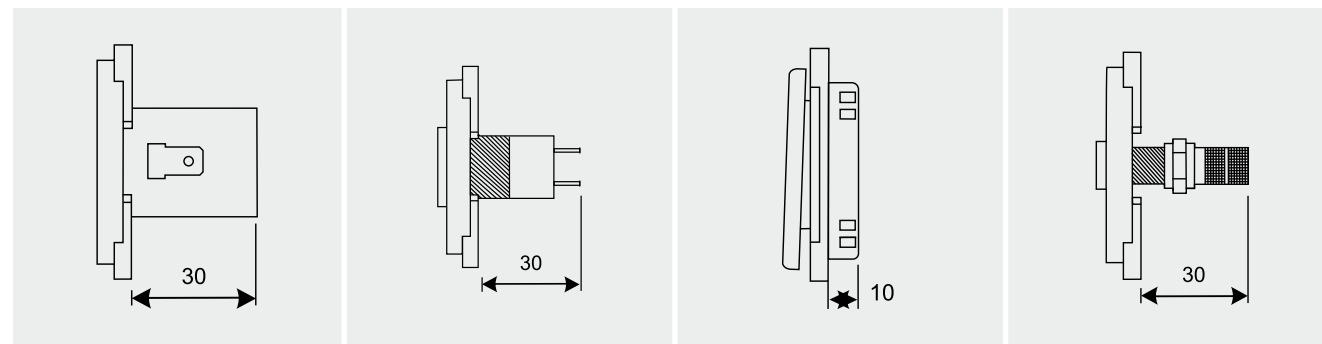
MAS 50R 212675
BACK PROTECTION BOX
Ø45 L=22mm

MCAP5 212640
TV CONNECTOR Ø0,5 (10 pcs)

MCAP6 212644
TV CONNECTOR Ø0,6 (10 pcs)

MCAP7 212648
TV CONNECTOR Ø0,7 (10 pcs)

DIMENSIONS (mm)

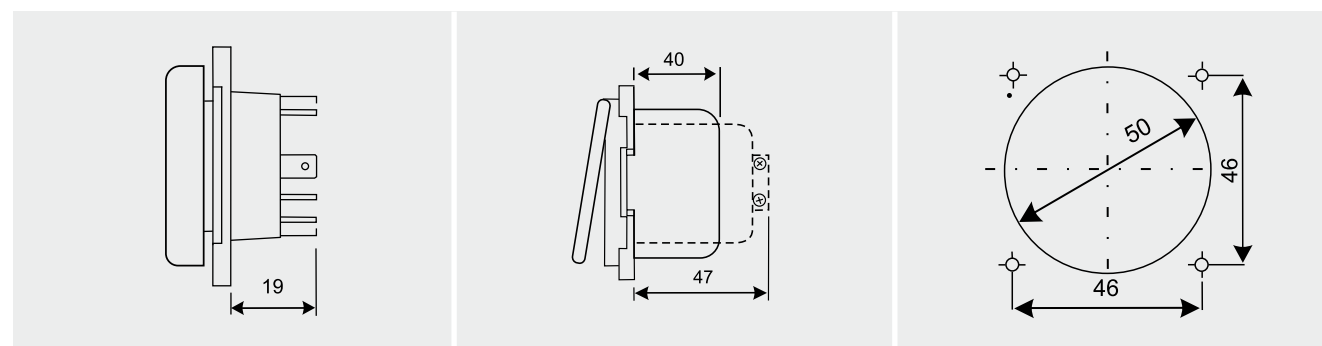


MP12A / MP12ATV

MP12 / MP12TV

MCN / MC12P / MCR

MPTV

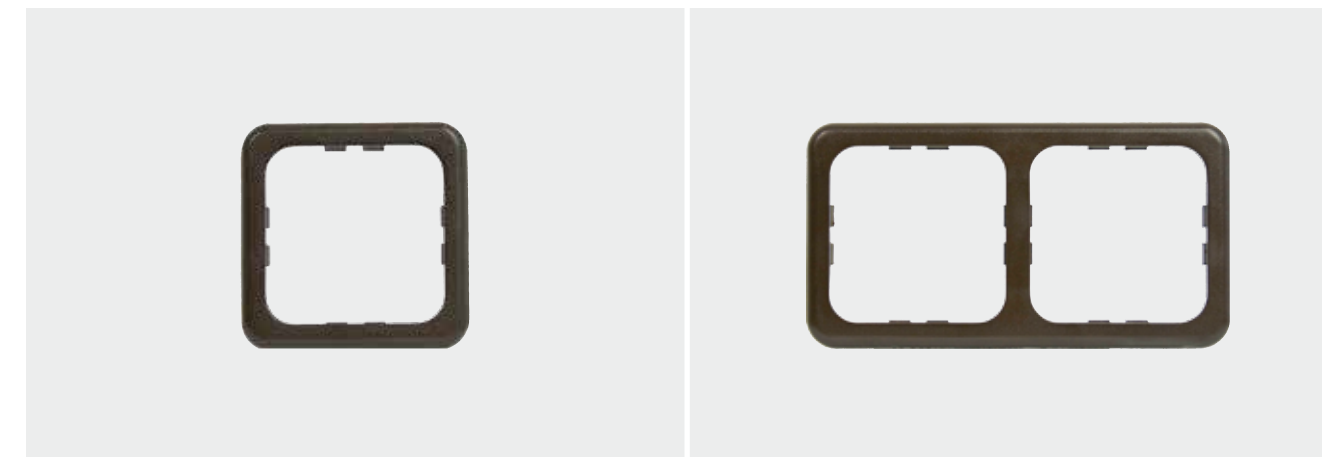


MCG / MC12

MP22I

COLOURS:
... / G (Grey RAL 7015)
... / M (Brown RAL 8016)
... / B (White RAL 9010)
... / GC (Light Grey RAL 7035)

* Minimum order 10 pieces or multiples of 10

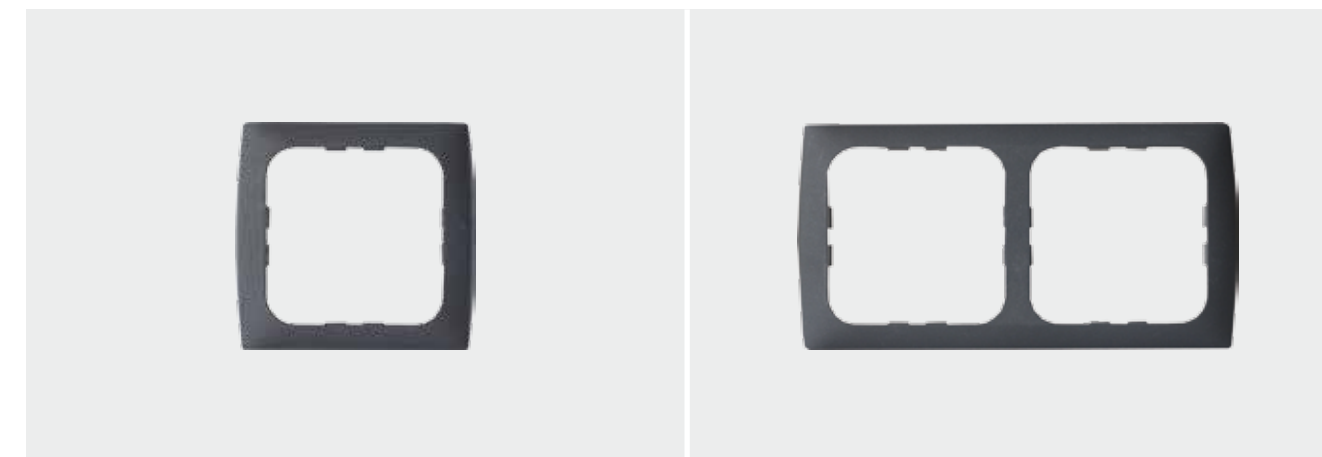


MAC1P / ...
1 MODULE FRAME
60 x 60mm

COLOUR	BLISTER	BOX *
... / G	212681	270702
... / M	212670	270706
... / B	212672	270700
... / GC	-	270704

MAC2P / ...
2 MODULE FRAME
113 x 60mm

COLOUR	BLISTER	BOX *
... / G	212660	270722
... / M	212678	270726
... / B	212696	270720
... / GC	-	270724



MAC1PS / ...
1 MODULE FRAME "SOFTLINE"
64 x 60mm

COLOUR	BLISTER	BOX *
... / G	212602	270712
... / M	212606	270716

MAC2PS / ...
2 MODULE FRAME "SOFTLINE"
116 x 60mm

COLOUR	BLISTER	BOX *
... / G	212612	270732
... / M	212616	270736

COLOURS:
... / G (Grey RAL 7015)
... / M (Brown RAL 8016)
... / B (White RAL 9010)
... / GC (Light Grey RAL 7035)
* Minimum order 10 pieces or multiples of 10



MAC1 / ...
1 MODULE CBE FRAME
86 x 78 mm

COLOUR	BLISTER	BOX *
... / G	215030	270012
... / M	215031	270016
... / B	-	270010
... / GC	-	270014

MAC2 / ...
2 MODULE CBE FRAME
139 x 78 mm

COLOUR	BLISTER	BOX *
... / G	215040	270032
... / M	215041	270036
... / B	-	270030
... / GC	-	270034



MAT1NL / ...
1 MODULE SUPPORT FRAME

COLOUR	BLISTER	BOX *
... / G	215302	270802
... / M	215306	270806

MAC1NL / ...
1 MODULE FRAME
86 x 78 mm
Requires support frame MAT1NL

COLOUR	BLISTER	BOX *
... / G	215322	270822
... / M	215326	270826

COLOURS:
... / G (Grey RAL 7015)
... / M (Brown RAL 8016)
... / B (White RAL 9010)
... / GC (Light Grey RAL 7035)

* Minimum order 10 pieces or multiples of 10



MAT2NL / ...
2 MODULE SUPPORT FRAME

COLOUR	BLISTER	BOX *
... / G	215342	270842
... / M	215346	270846

MAC2NL / ...
2 MODULE FRAME
139 x 78 mm
Requires support frame MAT2NL

COLOUR	BLISTER	BOX *
... / G	215362	270862
... / M	215366	270866



MAT3NL / ...
3 MODULE SUPPORT FRAME

COLOUR	BLISTER	BOX *
... / G	215382	270882
... / M	215386	270886

MAC3NL / ...
3 MODULE FRAME
192 x 78 mm
Requires support frame MAT3NL

COLOUR	BLISTER	BOX *
... / G	215402	270902
... / M	215406	270906

COLOURS:
... / G (Grey RAL 7015)
... / M (Brown RAL 8016)
... / B (White RAL 9010)
... / GC (Light Grey RAL 7035)
* Minimum order 10 pieces or multiples of 10



ENERGY LINE

BATTERY CHARGERS
REFRIGERATOR FANS
12V/230V INVERTERS

DIMMER
PROCAR 12V ACCESSORIES
CBE 12V ACCESSORIES

CBE 230V ACCESSORIES

“CB500-3” SWITCHING BATTERY CHARGERS

CB516-3, CB520-3 and CB522-3 battery chargers can charge automatically lead-acid, lead-gel and AGM batteries with innovative charging lines. They are protected against overheating and the 12V outputs are protected against short circuits and polarity inversion.

CB516-3, CB520-3 and CB522-3 are furthermore designed to replace the CB516, CB520 and CB522 models.

The high frequency switching technology gives excellent performance with limited weight and dimensions.

Charging process for 12V batteries:

- ▶ Desulphation - when switching on the battery charger, only if needed, the battery is charged at 15,2V until the current exceeds 2A or for a maximum of 2 hours.
- ▶ Bulk - battery charging with maximum current until the end-of-charge voltage is reached.
Note: the end-of-charge voltage is reached only if the battery is efficient.
- ▶ Absorption - battery charging at constant end-of-charge voltage for the time defined by the charging line, with a progressive current reduction until the charging is completed.
- ▶ Float - Maintenance charging at constant voltage for a maximum time of 15 hours. A high load leads to phase Bulk starting again.
- ▶ Stand-by - The battery charger stops supplying power. It will switch over to the Refresh phase when the battery voltage goes under 13V.
- ▶ Refresh - The battery is charged at the Bulk voltage for a maximum time of 1h; this phase is designed to compensate for the battery self-discharge. Once completed, the charging starts again from the Float phase.



CB516-3
CB520-3



CB522-3

NEW

MODEL	CB516-3	CB520-3	CB522-3
PART-NR	321517	321521	321523
TECHNICAL DATA			
NOMINAL INPUT VOLTAGE	230Vac± 10%	230Vac± 10%	230Vac± 10%
FREQUENCY	50Hz+60Hz	50Hz+60Hz	50Hz+60Hz
MAX POWER	250W	300W	320W
PROTECTION FUSE	3,15A (glass 5 x 20)	3, 15A (glass 5 x 20)	T 3,15A (glass 5x20)
ON/OFF SAFETY SWITCH	230V	230V	230V
OUTPUT TECHNICAL DATA			
BULK VOLTAGE (V)	14,1Vdc (A) - 14,4Vdc (B) - 14,7Vdc (C)	14,1Vdc (A) - 14,4Vdc (B) - 14,7Vdc (C)	14,1Vdc (A) - 14,4Vdc (B) - 14,7Vdc (C)
FLOAT VOLTAGE (V)	13,5Vdc (A) - 13,8Vdc (B) - 13,8Vdc (C)	13,5Vdc (A) - 13,8Vdc (B) - 13,8Vdc (C)	13,5Vdc (A) - 13,8Vdc (B) - 13,8Vdc (C)
MAX CURRENT	16A	20A	22A
CHARGING LINE	IUoU	IUoU	IUoU
BATTERY TYPE SELECTOR	3 positions (A - B - C)	3 positions (A - B - C)	3 positions (A - B - C)
SHORT-CIRCUIT AND POLARITY INVERSION PROTECTION	25A (blade)	30A (blade)	30A (blade)
THERMAL PROTECTION	YES	YES	YES
SIGNAL AC POWER SUPPLY (S)	12V; 50 mA	12V; 50 mA	12V; 50 mA
GENERAL TECHNICAL DATA			
EFFICIENCY	86%	86%	86 %
ROOM TEMPERATURE	0 + 50°	0 + 50°	0 - +40 °C
VENTILATION	Gradual automatic regulation	Gradual automatic regulation	Gradual automatic regulation
PROTECTION DEGREE	IP 30	IP 30	IP 30
MAINS CONNECTION	Schuko plug	Schuko plug	Schuko plug
BATTERY CONNECTION	6,3 terminals	"M6" screw	"M6" screw
CASE	Nylon + fiber glass self-extinguishing	Nylon + fiber glass self-extinguishing	Nylon + fiber glass self-extinguishing
DIMENSIONS (MM)	180 x 140 x 85H	180 x 140 x 85 H	180 x 190 x 85H
WEIGHT	1 Kg	1 Kg	1,2kg
COLOUR	Graphite black	Graphite black	Graphite black

“CB500-LT” SWITCHING BATTERY CHARGER

The new CB522-LT switch-mode battery charger has been designed for the charge of 12V lithium batteries only. It is protected against overtemperature and the 12V outputs are protected against short circuit and polarity inversion.

Charging process for 12V lithium batteries:

- ▶ Bulk - battery charging with maximum current until the end-of-charge voltage is reached.
Note: the end-of-charge voltage is reached only if the battery is efficient.
- ▶ Absorption - battery charging at constant end-of-charge voltage for a maximum time of 1h (or 30 minutes with I<5A).
- ▶ Float - Maintenance charging at a constant 13,5V voltage for a maximum time of 240 hours. If a high load lowers the battery voltage under 12,7V, the Bulk phase starts again.
- ▶ Refresh - The battery is charged at 14,5V for a maximum time of 30 minutes (or until I<5A). Once completed, the charging starts again from the Float phase.

The high frequency switching technology allows high performances with small dimensions and limited weight.



CB522-LT

NEW

MODEL	CB522-LT
PART-NR	321623
TECHNICAL DATA	
NOMINAL INPUT VOLTAGE	230Vac± 10%
FREQUENCY	50+60 Hz
MAX POWER	320W
PROTECTION FUSE	3,15A (glass 5 x 20)
ON/OFF SAFETY SWITCH	230V
OUTPUT TECHNICAL DATA	
BULK VOLTAGE (V)	14,5V
FLOAT VOLTAGE (V)	13,5V
MAX CURRENT	22A
CHARGING LINE	IUoU
BATTERY TYPE SELECTOR	NO
SHORT-CIRCUIT AND POLARITY INVERSION PROTECTION	30A (blade)
THERMAL PROTECTION	YES
SIGNAL AC POWER SUPPLY (S)	12V; 50 mA
GENERAL TECHNICAL DATA	
EFFICIENCY	86 %
ROOM TEMPERATURE	0 - +40 °C
VENTILATION	Gradual automatic regulation
PROTECTION DEGREE	IP 30
MAINS CONNECTION	Schuko plug
BATTERY CONNECTION	"M6" screw
CASE	Nylon + fiber glass self-extinguishing
DIMENSIONS (MM)	180 x 190 x 85H
WEIGHT	1,2kg
COLOUR	Graphite black

“CB500” SWITCHING BATTERY CHARGERS

The “CB500” switching battery charger can charge automatically lead-acid and lead-gel batteries. It is protected against overheating and the 12V outputs are protected against short circuits and polarity inversion.

The high frequency switching technology gives excellent performance with limited weight and dimensions.

Charging process for 12V batteries:

- ▶ Maximum current battery charging until the end-of-charge voltage is reached. NOTE: the end-of-charge voltage can be reached only if the battery is fully efficient.
- ▶ When the end-of-charge voltage is reached the battery charger continues to work at constant voltage for 90 minutes (lead-acid batteries) or 8 hours (lead-gel batteries).
- ▶ Maintenance charging at constant voltage, 13,8 V (lead-gel batteries) or 13,5 V (lead-acid batteries).
- ▶ After 10 hours of maintenance the battery charger switches to the Stand-by phase and charges again only if the battery voltage is lower than 13V.

Charging process for 24V batteries:

- ▶ Maximum current battery charging until the end-of-charge voltage is reached. NOTE: the end-of-charge voltage can be reached only if the battery is fully efficient.
- ▶ When the end-of-charge voltage is reached the battery charger continues to work at constant voltage for 90 minutes (lead-acid batteries) or 8 hours (lead-gel batteries).
- ▶ Maintenance charging at constant voltage, 27,6 V (lead-gel batteries) or 27,0 V (lead-acid batteries).
- ▶ After 10 hours of maintenance the battery charger switches to the Stand-by phase and charges again only if the battery voltage is lower than 26 V.



CB510
CB516/24

MODEL	CB510	CB516/24
PART-NR	311511	311519
TECHNICAL DATA		
NOMINAL INPUT VOLTAGE	230Vac± 10%	230Vac± 10%
FREQUENCY	50Hz+60Hz	50Hz+60Hz
MAX POWER	150W	250W
PROTECTION FUSE	2A (glass 5 x 20)	2A (glass 5 x 20)
ON/OFF SAFETY SWITCH	230V	230V
OUTPUT TECHNICAL DATA		
MAX VOLTAGE (V)	14,3Vdc (Lead-Gel) - 14,1Vdc (Lead-Acid)	28,6Vdc (Lead-Gel) - 28,2Vdc (Lead-Acid)
MAINTENANCE VOLTAGE (V)	13,8Vdc (Lead-Gel) - 13,5Vdc (Lead-Acid)	27,6Vdc (Lead-Gel) - 27,0Vdc (Lead-Acid)
MAX CURRENT	10A	8A
CHARGING LINE	IUoU	IUoU
BATTERY TYPE SELECTOR	Lead-Acid / Gel	Lead-Acid / Gel
SHORT-CIRCUIT AND POLARITY INVERSION PROTECTED	15A (blade)	15A (blade)
THERMAL PROTECTION	YES	YES
SIGNAL AC POWER SUPPLY (S)	12V; 50mA	NO
GENERAL TECHNICAL DATA		
EFFICIENCY	86%	86%
ROOM TEMPERATURE	0 + 50°	0 + 50°
VENTILATION	NO	Gradual automatic regulation
PROTECTION DEGREE	IP 30	IP 30
MAINS CONNECTION	Schuko plug	Schuko plug
BATTERY CONNECTION	6,3 terminals	6,3 terminals
CASE	Nylon + fiber glass self-extinguishing	Nylon + fiber glass self-extinguishing
DIMENSIONS (mm)	180 x 140 x 85H	180 x 140 x 85 H
WEIGHT	1Kg	1Kg
COLOUR	Anthracite grey	Anthracite grey



CONTROL PANEL

An electronic circuit allows the setting of fans to automatic or manual. It also sets the fans' speed depending on the temperature: the fridge will always work optimally and will be able to maintain the optimum temperature. A trimmer allows you to choose the temperature you want the fans to start at. An LED shows the functions. Supplied with spacer for wall-fixing installation. It fits the “Modular Plates” range (only model MCV).



MCV
CONTROL PANEL (SPARE PART)

FANS

The system consists of two silent and energy saving fans, an electronic sensor, a metal support, a 1,5m long cable: easy and quick to install.



MCV-2
2 FANS + CONTROL PANEL, BROWN



P292
CONTROL PANEL (SPARE PART)



P292-2
2 FANS + CONTROL PANEL, GREY

MODEL	PART-NR	DESCRIPTION	FANS DIM. (mm)	CONTROL PANEL DIMENSIONS (mm)
MCV - 2	200312	2 FANS + BROWN CONTROL PANEL	250 x 100 x 28	60 x 60
P292 - 2	200322	2 FANS + GREY CONTROL PANEL	250 x 100 x 28	92 x 42
SPARE PARTS				
MCV	212864	BROWN CONTROL PANEL		60 x 60
P292	200293	GREY CONTROL PANEL		92 x 42



12V/230V INVERTERS

- ▶ Modified sine wave
- ▶ Overvoltage 15V protection, undervoltage 10V protection
- ▶ Overload protection
- ▶ Thermal protection
- ▶ Input 10V to 15V
- ▶ Output 230V 50Hz-60Hz
- ▶ Smart cooling fan
- ▶ Noiseless working
- ▶ Remote on/off switch (optional)



AK600

AK300

AK150

MODEL	PART-NR	PEAK POWER (W)	CONT. POWER (W)	DIMENSIONS (mm)	WEIGHT (Kg)
AK150	215272	300	150	122 x 77 x 70	0,55
AK300	215274	600	300	165 x 88 x 74	0,9
AK600	215276	1500	600	213 x 200 x 70	2,0
AK1000	215278	2400	1000	320 x 210 x 85	3,3
AK1700	215279	3000	1500	458 x 210 x 85	5,5

REMOTE SWITCH FOR INVERTER

- Remote on/off switch for power Inverter AK line.
An LED light indicates power on or off. The kit includes:
- ▶ Cable L=3,5m
 - ▶ Frame



FOR AK300 - AK600R
MCI / G 215270
MCI / M 215271

This panel fits also the "Modular Plates" range.
Dimensions 60 x 60mm.
Colours: /G Grey RAL 7015
/M Brown RAL 8016

FOR AK1000 - AK1700
MCI2 / G 215268
MCI2 / M 215269

This panel fits also the "Modular Plates" range.
Dimensions 60 x 60mm.
Colours: /G Grey RAL 7015
/M Brown RAL 8016

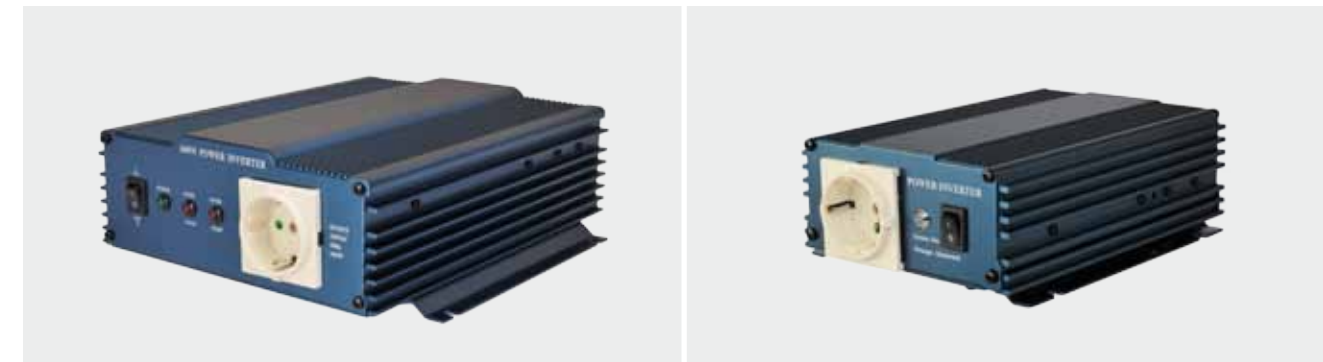
FOR AK300 - AK600
BMCI / GR 235062
BMCI / MA 235066

This panel fits also the "Berker" range.
Dimensions: 60 x 60mm.
Colours: /G Grey RAL 7021
/M Brown RAL 8017



12V/230V PURE SINE INVERTERS

- ▶ Pure sine wave
- ▶ Overvoltage 15V protection, undervoltage 10V protection
- ▶ Overload protection
- ▶ Thermal protection
- ▶ Input 10V to 15V
- ▶ Output 230V 50Hz-60Hz



AKP600

AKP300

MODEL	PART-NR	PEAK POWER (W)	CONT. POWER (W)	DIMENSIONS (mm)	WEIGHT (Kg)
AKP300	215275	500	300	210 x 147 x 66	1,4
AKP600	215277	1000	600	335 x 236 x 83	3,0
AKP1500	215281	3000	1500	415 x 283 x 100	5,8

DIMMER 12V



DLS-200 402200

DIMMER – LIGHT BRIGHTNESS ADJUSTER

The light brightness adjuster DLS-200 is an electronic device which allows the brightness of the motorhome's internal lights to be varied (resistive incandescent, LED and halogen lights). It can be connected to one or more push buttons installed in the vehicle. By pressing once, lights can be switched on and off while continual pressing varies the light's brightness. The DLS-200 can manage up to 8 different light channels up to 200W maximum power.

Technical Specs:

- ▶ Power supply / nominal voltage 12V cc
- ▶ Maximum power 200W
- ▶ Up to 8 dimmed light channels (parallelable)
- ▶ PWM (pulse-width modulation) outputs
- ▶ Short-circuit and overheating protection
- ▶ Dimensions (mm): 102 x 60 x 30
- ▶ Weight (Kg): 0,1

| BATTERY SEPARATORS



CSB40-S 402740
Automatic battery separator. Relay for batteries parallel and for 3-way fridge. Fuses: fridge, aux, lights.
Dimensions: 130 x 80 x 40 mm

CSB40-SP 402744
Same as CSB40-S with additionally an integrated car battery re-charging device (max 2A).
Dimensions: 130 x 80 x 40 mm.

CSB96-P 402965
Same as CSB40-SP but with "ignition" power supply (instead of "D+" power supply).
Dimensions: 130 x 80 x 40 mm



SB100 402910
Automatic battery separator ("ignition" power supply). Functions: 70A parallel relay with engine running
Dimensions: 105 x 85 x 42mm

| CBE ASSISTANCE KIT BRIEFCASE



CBE ASSISTANCE KIT BRIEFCASE 900059
Specific components and tools for assistance on CBE products. Content: connectors, terminals, terminals extraction tools (LOK, MINIFIT, MICROFIT), connection cables, electronic tank probes simulators, temperature sensors.



R419/90 212743**
002743*
12V universal plug 90° + LED



R419/S 212755**
002767*
12V articulated universal plug 0/90°



R412 212751**
002751*
12V plug Ø12



R419 212754**
002754*
12V universal plug + 8A fuse

R419/L 212742**
002742*
12V universal plug + 8A fuse + LED



R511/V 212748**
002748*
12V movable socket Ø12



R513 222747**
002747*
12V wall-fixing socket Ø12 with cover



R511 222750**
002750*
12V socket Ø12



R512 222749**
002749*
12V socket Ø12 with cover



R414 212766**
002762AA*
12V wall-fixing cigarette lighter socket Ø21

* Minimum order 10 pieces or multiples of 10
** Blister



R414/I 212767**
002761AA*

12V built-in cigarette lighter socket Ø21 with cover

R417 212763**
002763*

Adapter 12V plug Ø12 / 12V cigarette lighter socket Ø21, cable L=0,25m

R417/R 212936**
002763R*

Adapter 12V Plug Ø12 / 12V cigarette lighter socket Ø21



R418/2 212796**
002796*

Adapter 12V universal plug / 2 x 12V cigarette lighter sockets Ø21

R418/2R 212768**
002762BA*

Adapter 12V universal plug / 2 x 12V cigarette lighter sockets Ø21

R418/3 212765**
002762CA*

Adapter 12V universal plug / 3 x 12V cigarette lighter sockets Ø21, cable L=2m



R416/2 212949**

Adapter 12V universal plug / 12V socket Ø12, cable L=2m

R417/2 212938**
002798*

Adapter 12V universal plug / 12V cigarette lighter socket Ø21, cable L=4m

R417/2F 212797**
002797*

Adapter 12V universal plug / 12V cigarette lighter socket Ø21, flexible cable L=0,6-3m

* Minimum order 10 pieces or multiples of 10
** Blister



R417/2S 212937**

Adapter 12V articulated universal plug / 12V cigarette lighter socket Ø21, cable L=4m

R510/2 212744**
002795*

12V cigarette lighter socket Ø21, cable L=1,8m

R510/P 212745**
002768*

12V cigarette lighter socket Ø21 + clamps, cable L=1m



R555/8 212756**
002767E*

Adapter 12V universal plug / pin 2,5 x 5,5 (8A)

R555/2 212757**
002767F*

Adapter 12V universal plug / pin 2,1 x 5,5 (2A)

R550/MU 212926**
002767C*

5V 2A mini USB charger L=1,5m (12V/24V input)



R550 / MI 212928**
002767G*

5V 2A micro USB charger L=1,8m (12V/24V input)

R419/U 212758**
002758*

Adapter 12V articulated universal plug / 5V 2 x 2,5A double USB charging socket

R550/U 212925**
002767B*

5V 1A USB charging socket L=1,5m (12V input)

* Minimum order 10 pieces or multiples of 10
** Blister



R550/UP 212935**
002767BP*

5V 3A USB charging socket L=1m
(12V input)

R550/UI 212927**
002767H*

5V 3A USB charging socket
(12V input)

R418/3U 212769**
002762DA*

Adapter 12V universal plug /
2 12V cigarette lighter sockets Ø21 + 5V
3A USB charging socket, cable L=1,5m



R550/UU 212930**
002767DP*

5V 2 x 2,5A double USB charging socket
(12V input)

* Minimum order 10 pieces or multiples of 10
** Blister



R420 222410**
Fuse-holder + 10A fuse

R420/S 222570**
Watertight fuse-holder + 10A fuse

R420/C 222572**
Modular fuse-holder



R421 222510**
Built-in fuse-holder + 10A fuse

R457/50 222567**
"Maxi" fuse-holder + 50A fuse + terminals

R450 222551**
222550 (no ring terminals)*
50A fuse-holder + strip fuse
+ 2 ring terminals



R444 212478**
4 ways fuse-holder with cover

R446 212479**
6 ways fuse-holder with cover

R459/... 222569**
002571A*
"Megaval" fuse-holder

R460/... 222003 (3A)**
222005 (5A)**
222007 (7,5A)**
222010 (10A)**
222015 (15A)**
222020 (20A)**
222025 (25A)**
222030 (30A)**
222040 (40A)**

Blade fuses 10 pcs

* Minimum order 10 pieces or multiples of 10
** Blister



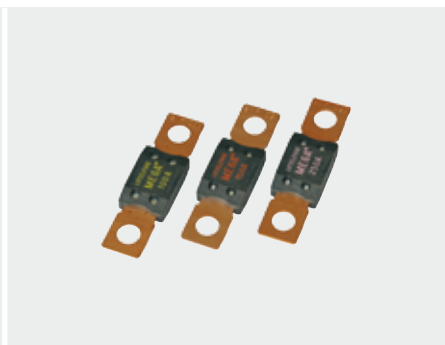
R461/... 221003 (3A)**
221005 (5A)**
221007 (7,5A)**
221010 (10A)**
221015 (15A)**
221020 (20A)**
221025 (25A)**
221030 (30A)**

"Minival" blade fuses – 10pcs



R466/... 222053 (30A)**
222055 (50A)**
222058 (80A)**

Strip fuses – 10pcs



R468/... 222100 (100A)**
222125 (125A)**
222150 (150A)**
222200 (200A)**
222250 (250A)**

"Megaval" blade fuses – 2pcs



R470/... 222063 (30A)**
222065 (50A)**

"Maxi" blade fuses - 2pcs



R480/... 222087 (70A)**
222088 (80A)**
222089 (125A)**

"Midival" blade fuses – 2pcs



R228 222965**

12V 70A relay



R237 212620**

12V red luminous switch



R200 222920**

MTA branch knot 3 x M8



R225 222960**

Relay single pole double throw with diode 40/30A

* Minimum order 10 pieces or multiples of 10
** Blister



R290 223467**
003467 (without ring terminals)*

Battery isolator switch 100A / 500A (10 sec)



R295 223468**
003467A (without ring terminals)*

Battery isolator switch 150A / 1200A (5 sec)



R295/P 223469**
Battery isolator switch 150A / 1200A with knob and display (5 sec)



R290/C 223466**
Spare key for R290 Battery isolator switch



R295/C 223470**
Spare key for R295 Battery isolator switch



R295/R 003467C
Battery isolator switch 300A/1000A (5 sec)



R331 223461**
Battery terminals with cover

* Minimum order 10 pieces or multiples of 10
** Blister



R407 212740**
002740*
Caravan plug 7 pins

R408 212770**
002770*
Caravan plug 13 pins

R507 222739**
002739*
Caravan socket 7 pins



R409/R 212776**
002772A*
Adapter 7 pins plug / 13 pins socket

R410/R 212775**
002773A*
Adapter 13 pins plug / 7 pins socket

R508 212771**
002771*
Caravan socket 13 pins



R409 212772**
002772*
Adapter 7 pins plug / 13 pins socket
with cable L=1m

R411 212774**
002774*
Adapter 13 pins plug / 7 pins socket L=1m

* Minimum order 10 pieces or multiples of 10
** Blister



R425 212955**
230V Extension cable H07RN-F, 3 x 2,5
mm² 25m, CEE plug / CEE socket

R425/S 212957**
230V Extension cable H07RN-F, 3 x 2,5
mm² 25m, CEE plug / CEE socket +
schuko socket

R522 212713**
002713*
230V CEE female socket



R422 212712**
002712*
230V CEE male plug

R540 212735**
002735*
230V schuko socket

R440 212733**
002733*
230V schuko plug



R428 212720**
002720*
Adapter 90° schuko plug /
230V CEE blue socket

R428/I 212719**
002719*
Adapter 90° italian plug /
230V CEE blue socket

R424 212945**
Adapter 230V schuko plug /
230V CEE socket, cable L=0,3m

* Minimum order 10 pieces or multiples of 10
** Blister



R429 212721**
002721*
Adapter schuko plug /
230V CEE blue socket

R523 212714**
002714*
230V blue CEE socket 90° +
schuko socket

R441 212710**
002710*
230V watertight schuko plug in black
rubber



R541 212711**
002711*
230V watertight schuko socket in black
rubber

R426/B 212723**
002723**
Adapter 230V CEE plug /
schuko socket

R427 212941**
Adapter 230V CEE plug /
french standard socket



DS100 203640
230V 13A magneto-thermal switch (MCB)
with 2 protected poles,
dimensions 138 x 180 x 85mm.
Colour: Light Grey

DS120 203690
230V 13A magneto-thermal switch (RCD)
with 2 protected poles,
dimensions 138 x 180 x 85mm.
Colour: Light Grey

DS-SR 203635
230V 25A relay net-generator changeover

* Minimum order 10 pieces or multiples of 10
** Blister



R430 212730**
002730*
230V built-in male CEE plug,
105 x 110mm, white

R431 212725**
230V built-in male CEE plug,
100 x 160mm, white

R432 002932AB*
230V built-in "ROSI" CEE plug,
110 x 160mm, white



R430/C 212729**
Spare cover for R430 plug,
105 x 110mm, white

R431/C 212727**
Spare cover for R431 plug,
100 x 160 mm, white

R432/C 212724**
Spare cover for R432 plug,
110 x 160 mm, white



R430M 002730M*
230V built-in male CEE plug
with magnetic locking,
105 x 105mm

R435 212760**
002760*
230V built in external socket
+ 12V socket + TV + SAT,
105 x 110 mm, white

* Minimum order 10 pieces or multiples of 10
** Blister

TECHNICAL QUESTIONS:
assistance@cbe.it

