

KIPOR

KIPOR POWER PRODUCTS CO., LTD.
IG2000/IG2000P/IG2000S SHOP MANUAL
EPA/CARB/CETL Certified Models



Kipor Power Systems, Inc.

Revision 4, July, 2011

Preface

This manual covers the construction, repair, and servicing procedures for the KIPOR IG2000 and IG2000P Models. Some models were sold with an “S” suffix, designating an installed light kit.

The manual is applicable to EPA, CARB, and CETL models.

Careful observance of these instructions will result in better, safer service work.

All information, illustrations, directions and specifications included in this publication are based on the latest product information available at the time of approval for printing. Wuxi Kipor Power Co., Ltd., reserves the right to make changes without incurring any obligation.

No part of this publication may be reproduced without written permission.

© 2017 Kipor Power Systems, LLC

CONTENTS

PREFACE	1
CONTENTS	2
1. SPECIFICATIONS/WIRING DIAGRAM.....	4
1.1 SPECIFICATIONS	4
1.2 PERFORMANCE CHARACTERISTICS	5
1.3 PERFORMANCE CURVES	6
1.4 DIMENSIONAL DRAWING	7
1.5 WIRING DIAGRAMS	8
2. SERVICE INFORMATION.....	11
2.1 THE IMPORTANCE OF PROPER SERVICING.....	11
2.2 IMPORTANT SAFETY PRECAUTIONS	11
2.3 SERVICE RULES	12
2.4 ELECTRICAL PRECAUTIONS	13
2.5 SERIAL NUMBER AND BARCODE.....	13
2.6 MAINTENANCE STANDARDS	14
2.7 TORQUE VALUES.....	14
3. TROUBLESHOOTING	15
3.1 GENERAL SYMPTOMS AND CAUSES	15
3.2 HARD STARTING.....	16
3.3 OIL ALARM.....	19
3.4 ENGINE STOPS RUNNING	19
3.5 ENGINE SPEED UNSTABLE	20
3.6 THROTTLE CONTROL SYSTEM.....	20
3.7 SMART THROTTLE.....	21
3.8 LOW OR NO AC OUTPUT	21
3.9 NO DC OUTPUT.....	22
3.10 NO PARALLEL OUTPUT	23
4. MAINTENANCE	25
4.1 MAINTENANCE SCHEDULE	25
4.2 CHECKING THE LOW OIL ALARM	27
4.3 AIR CLEANER	28
4.4 SPARK PLUG	30
4.5 VALVE CLEARANCE	31
4.6 FUEL TANK AND FILTER	34
4.7 FUEL PUMP AND HOSES.....	36
5. EXHAUST SYSTEM	37
5.1 MUFFLER.....	37
5.2 EXHAUST TUBE/SECONDARY AIR INJECTION VALVE	38
5.3 SPARK ARRESTOR	38

6. INTAKE SYSTEM	39
6.1 AIR FILTER REMOVAL AND INSTALLATION.....	39
6.2 CARBURETOR REMOVAL AND INSTALLATION.....	40
6.3 INSPECTION.....	43
7. CONTROL PANEL	45
7.1 REMOVAL AND INSTALLATION	46
7.2 INSPECTION OF COMPONENTS	53
8. LIGHT KIT/HOUSING/FUEL TANK/FAN HOUSING	53
8.1 LIGHT KIT DISASSEMBLY AND INSTALLATION.....	53
8.2 HOUSING DISASSEMBLY	54
8.3 FUEL TANK ASSEMBLY.....	56
8.4 FAN HOUSING/ENGINE MOUNTING PLATE.....	57
8.5 EVAPORATIVE CONTROL SYSTEM.....	58
8.6 GUIDE PLATE	59
9. RECOIL STARTER/AIR CONDUCT COVER/IGNITION COIL.....	60
9.1 DISASSEMBLY AND REASSEMBLY.....	60
9.2 RECOIL STARTER INSTALLATION	61
9.3 INSPECTION.....	63
10. ALTERNATOR/TRIGGER	65
10.1 ALTERNATOR.....	65
10.2 INSPECTION.....	65
10.3 TRIGGER ADJUSTMENT.....	66
11. CYLINDER COVER/ROCKER ARM.....	67
11.1 DISASSEMBLY/REASSEMBLY	67
11.2 INSPECTION	68
12. CRANKCASE COVER/CAMSHAFT DRIVE CHAIN	70
12.1 DISASSEMBLY.....	70
12.2 CRANKCASE COVER REASSEMBLY	71
12.3 ROLLER CHAIN REASSEMBLY	71
12.4 CHAIN SUPPORT PLATE/PRESSURE PLATE.....	73
12.5 CRANKCASE COVER ASSEMBLY	75
12.6 INSPECTION.....	76
13. CRANKSHAFT/PISTON AND CONNECTING ROD	79
13.1 DISASSEMBLY.....	79
13.2 PISTON/CONNECTING ROD.....	80
13.3 INSPECTION.....	81

1. SPECIFICATIONS

1.1 SPECIFICATIONS

Dimensions and weights

Model	IG2000/IG2000P	IG2000s
Overall Length in (mm)	20.5 (520)	26.2 (665)
Overall Width in (mm)	11.8 (300)	11.8 (300)
Overall Height in (mm)	16.7 (425)	16.7 (425)
Net Weight lbs (kg)	48.4 (22)	52.8 (24)

Engine

Model	KG158
Type	4-stroke, OVC, single cylinder, Gasoline engine
Displacement	105 cc
Horsepower/RPM	2.2/4500
Compression ratio	8.5:1
Cooling system	Forced air-cooled
Ignition system	T.C.I
Ignition timing	27°B.T.D.C
Spark plug	UR5
Carburetor	Float type, Horizontal, butterfly valve
Air cleaner	Semi-dry
Governor	Electronically controlled
Lubrication system	Splash
Oil capacity qt (L)	.35 (0.4)
Starting system	Recoil starter
Fuel used	Automotive unleaded gasoline 87 octane

Generator

Model	KD20 Alternator
Generator type	Multi pole rotation type
Generator structure	Self-ventilation drip-proof type
Excitation	Self-excitation (Magnet type)
Voltage regulation system	Pulse width modulation)
Phase	Single phase
Rotation direction	Clockwise (Viewed from the generator)
Frequency regulation	AC-DC-AC conversion (Inverter type)

1.2 PERFORMANCE CHARACTERISTICS

Model	All
Maximum output AC	2.0KVA
Rated output AC	1.6KVA
Rated output DC	100W
Rated frequency	60HZ
Rated voltage AC	120V
Rated voltage DC	12V
Rated current AC	13.3A
Rated current DC	8.3A
Power factor	1.0
Voltage variation rate	
Momentary	10% max
Average	1.5% max
Average time	3 sec max
Voltage stability	±1%
Frequency variation rate	
Momentary	1% max
Average	1% max
Average time	1 sec max
Frequency stability	±0.1%
Insulation resistance	10 MΩ min
AC circuit protector	17.9A @120V
DC circuit protector	10A
Fuel tank capacity gal (L)	.9 (3.5)
Operating hours (at rated load)	4
Noise level NL-FL @23' (7 m)	54-59

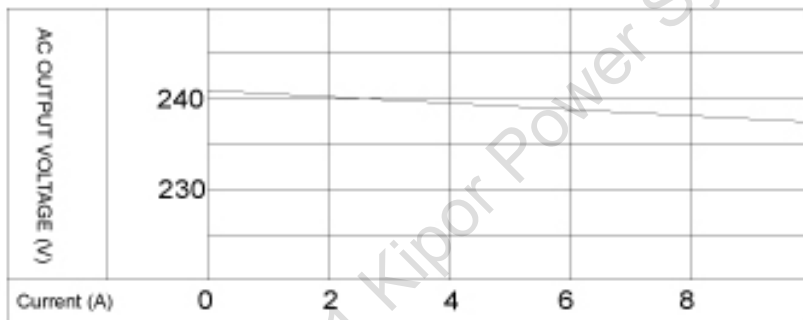
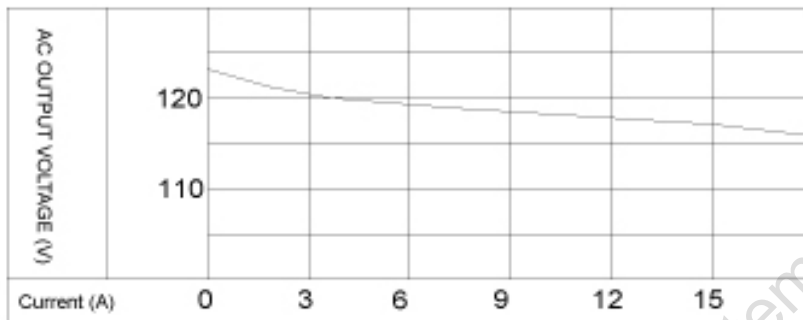
1.3 PERFORMANCE CURVES

The curves show performance of the generator under average conditions.

Performance will vary depending on ambient temperature, humidity, and altitude.

The output voltage will be higher than usual when the generator is still cold immediately after the engine starts.

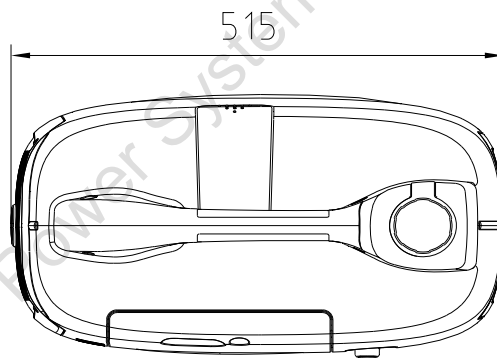
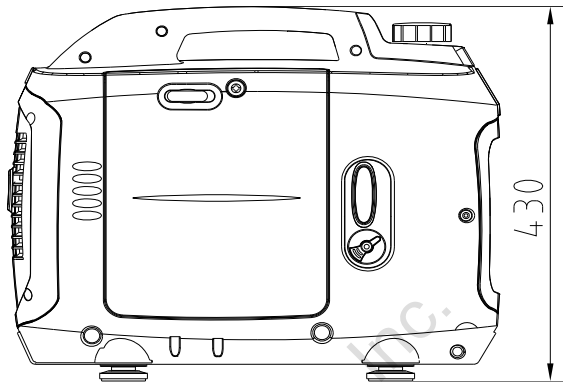
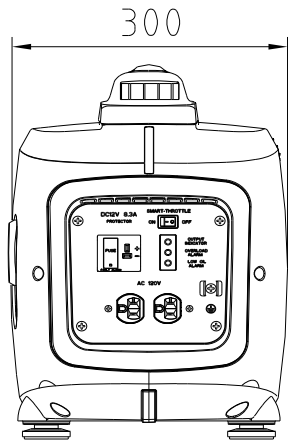
● AC External characteristic curves



© 2011 Kipor Power Systems, Inc.

1.4 DIMENSIONAL DRAWING

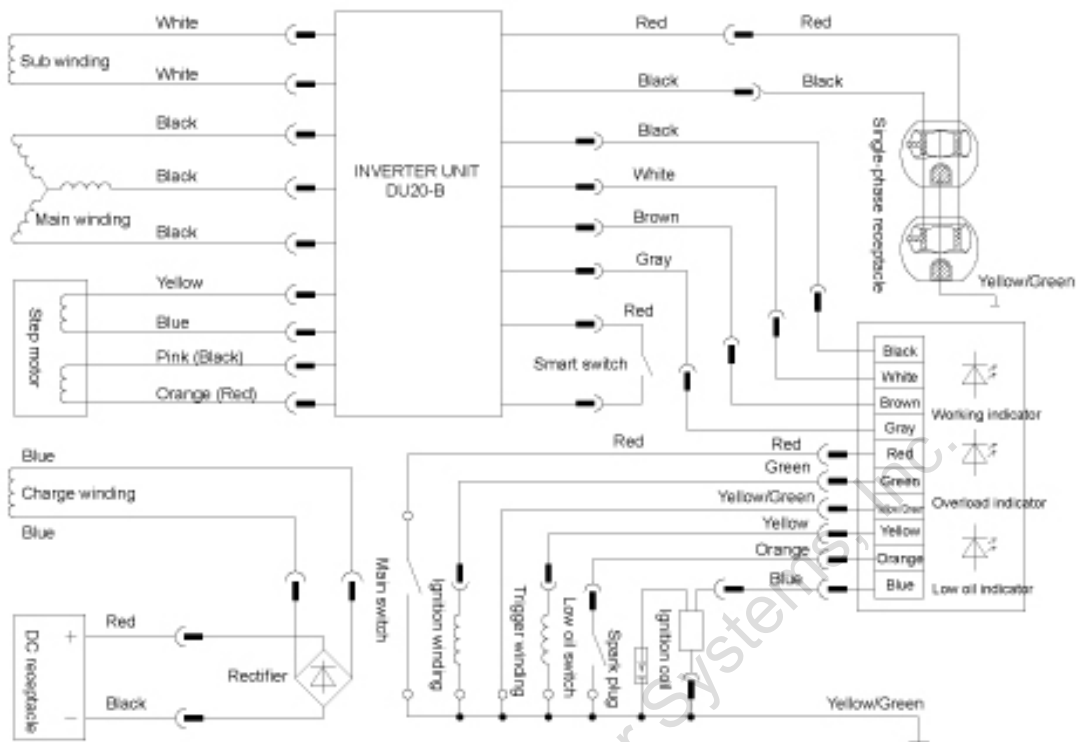
Unit: mm



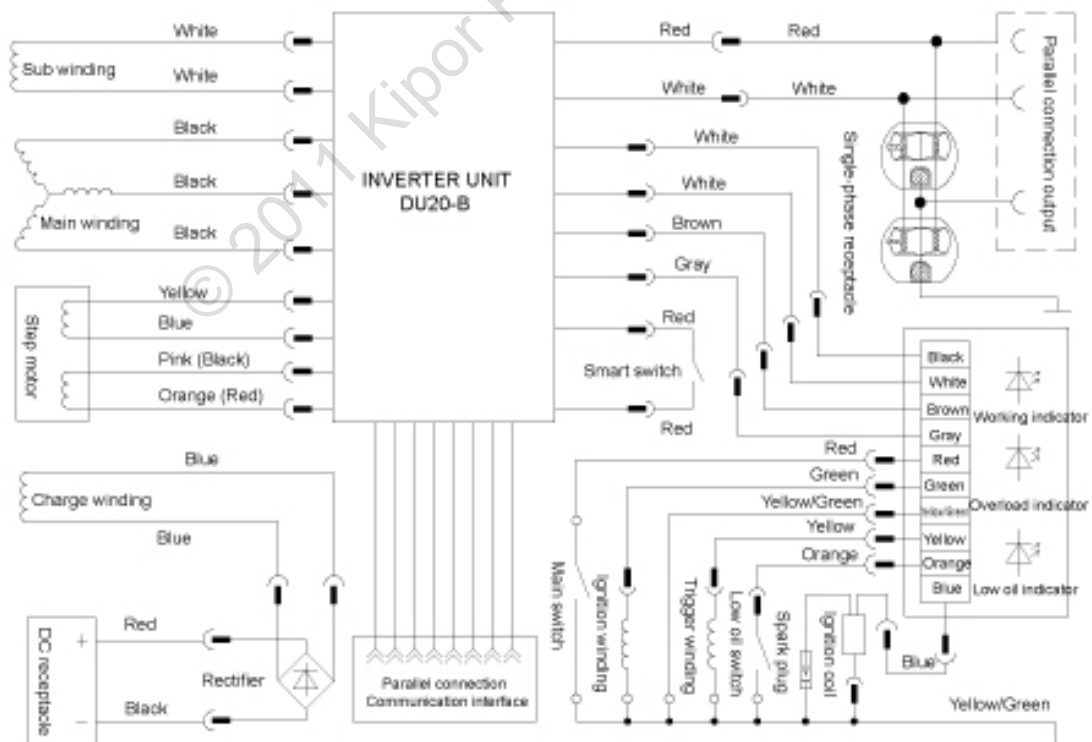
© 2017 Kipor Power Systems, Inc.

1.5 WIRING DIAGRAMS

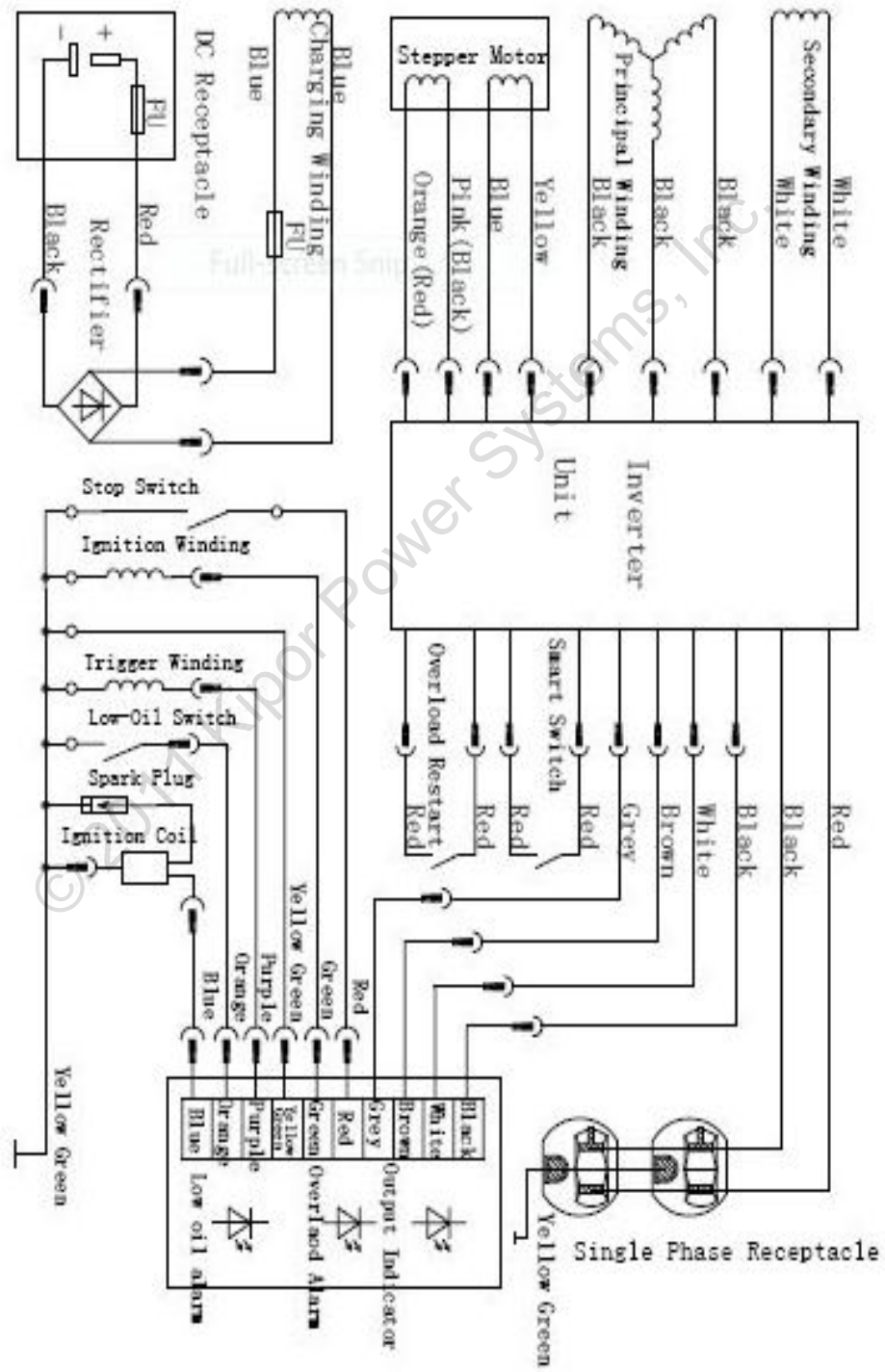
a. IG2000 pre 2011



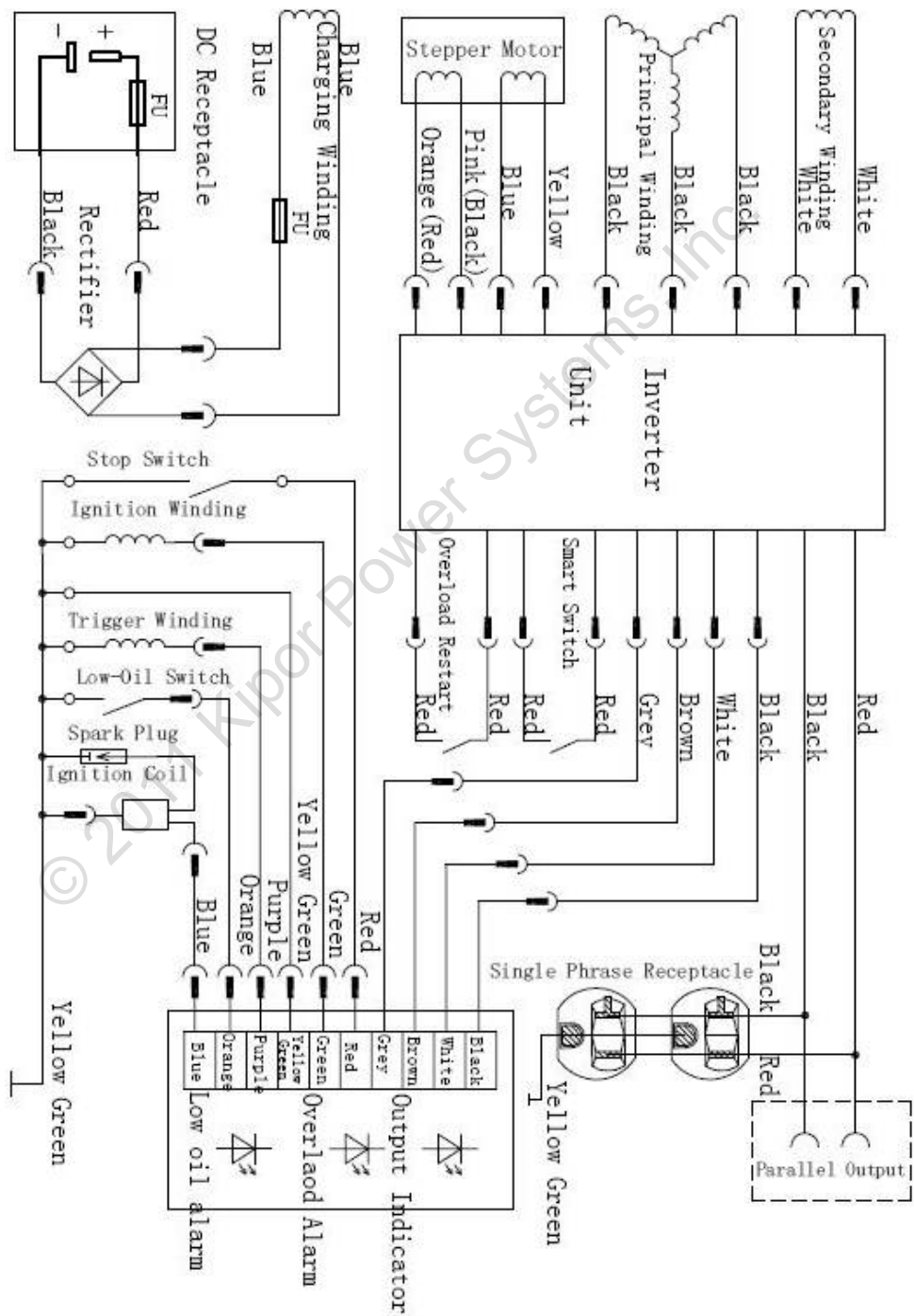
b. IG2000P Pre 2011



c. IG2000 2011 forward



d. IG2000P 2011 forward



2. Service information

2.1 The importance of proper servicing

■ Proper servicing is essential to the safety of the operator and the reliability of the engine. Any error or oversight made by the technician while servicing can easily result in faulty operation, damage to the engine or injury to the operator.



■ Improper servicing can cause an unsafe condition that can lead to serious injury or death. Follow the procedures and precautions in this shop manual carefully.

■ Some of the most important precautions are given below. However, we cannot warn you of every conceivable hazard that can arise in performing maintenance or repairs. Only you can decide whether you should perform a given task.



■ Failure to follow maintenance instructions and precautions can cause you to be seriously hurt or killed. Follow the procedures and precautions in this shop manual carefully.

2.2 Important safety precautions

Be sure you have a clear understanding of all basic shop safety practices and that you are wearing appropriate clothing and safety equipment. When performing maintenance or repairs, be especially careful of the following:

■ Read the instructions before you begin, and be sure you have the tools and skills required to perform the tasks safely.

■ Be sure that the engine is off before you begin any maintenance or repairs. This will reduce the possibility of several hazards:

Be careful for carbon monoxide poisoning from engine exhaust.

Be sure there is adequate ventilation whenever you run the engine.

Be careful for burns from hot parts.

Let the engine cool before you touch it.

Be careful for injury from moving parts.

■ Do not run the engine unless the instruction tells you to do so. Even then, keep your hands, fingers, and clothing away.

■ To reduce the possibility of a fire or explosion, be sure when working around gasoline, use only a nonflammable solvent, not gasoline, to clean parts. Keep all cigarettes, sparks, and flames away from all fuel-related parts.

2.3 Service rules

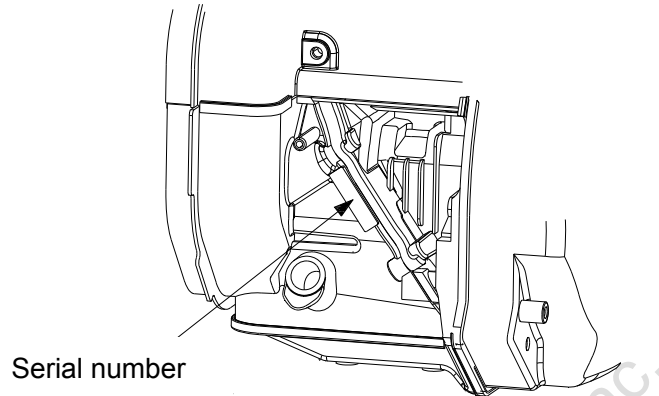
1. Use genuine KIPOR or KIPOR-recommended parts and lubricants or their equivalents. Parts that do not meet Kipor's design specifications may damage the engine.
2. Use the special tools designed for the product.
3. Install new gaskets, O-rings, etc. when reassembling.
4. When torquing bolts or nuts, begin with larger-diameter or inner bolts first and tighten to the specified torque diagonally, unless a particular sequence is specified.
5. Clean parts in cleaning solvent upon disassembly. Lubricate any sliding surfaces before reassembly.
6. After reassembly, check all parts for proper installation and operation.
7. Many screws used in this machine are self-tapping. Be aware that cross-threading or over tightening these screws will strip the threads and ruin the hole.
8. Use only metric tools when servicing this engine. Metric bolts, nuts and screws are not interchangeable with non metric fasteners. The use of incorrect tools and fasteners may damage the engine.
9. Follow the instructions represented by these symbols when they are used.

■ Electric precautions

1. Hold the connector body to disconnect the connector. Do not disconnect by pulling the wire harness. To disconnect the locking connector, be sure to unlock first, and then disconnect.
2. Check the connector terminals for bend, excessive extrusion, missing terminal, or other abnormalities before connecting the connector.
3. To connect, insert the connector as full as it goes. If the connector is a locking type, be sure that it is locked securely.
4. Check the connector cover for breakage and check whether the connector female terminal is open excessively. Then, connect the connector securely. Check the connector terminal for rust. Remove the rust using an emery paper or equivalent material before connecting the connector.
5. Set the harness clips in the specified places of the frame securely, and clamp the wire harnesses.
6. Clamp the wire harnesses securely so that they do not interfere with the rotating parts, moving parts and the hot parts.
7. Route and connect the wire harnesses properly. Be sure that the harnesses are not slack, twisted or pulled taut.
8. Route the wire harnesses properly so that they do not contact with the shape edges and corners, and the end of the bolts and screws on the body.
9. If a wire harness contacts the end of the bolts/screws or sharp edges and corners, protect the contact part of the harness with a tube or by winding with an electrician's insulating tape. If the wire harness has a grommet, set the grommet securely.
10. Take care not to pinch the wire harnesses during installation of a part. If a wire harness has the damaged insulation, repair by winding with the electrician's insulating tape.
11. Read the tester manufacture's operation instructions carefully before operation with tester. Follow the instructions of the Service Manual. Be sure that the battery built in a tester is fully charged and check the meter before inspection using the tester.

2.4 Serial number location

The engine serial number is stamped on the block above the oil dipstick. Refer to this number when ordering parts or making technical inquiries.



2.5 Engine maintenance standards

Part	Item	Standard(mm)	Service limit	
Engine	Maximum speed without load	4300±100rpm	—	
	Compress force	0.45Mpa/800rpm	—	
Cylinder	Sleeve I.D.	58.000-58.020	58.105	
Piston	Skirt O.D	57.960-57.980	57.85	
	Pin bore I.D.	13.002-13.008	13.05	
Piston pin	O.D	12.994— 13.000	12.95	
Piston ring	1st ring	Height h	0.97-0.99	0.87
		Ring side clearance	0.02-0.06	0.15
		Ring end clearance	0.15-0.25	1.0
		Width t	1.95-2.15	1.75
	2nd ring	Height h	1.17-1.19	1.07
		Ring side clearance	0.02-0.06	0.15
		Ring end clearance	0.15-0.25	1.0
		Width t	2.4-2.6	2.2
	Oil ring	Height h	1.85-1.98	1.75
		Ring side clearance	0.03-0.18	0.24
		Ring end clearance	0.20-0.50	1.0
		Width t	2.3-2.7	2.2
Connecting rod	Small end I.D	13.006—13.017	13.08	
	Big end I.D	24.020—24.033	24.09	
Crankshaft	Crank pin O.D.	23.967-23.980	23.90	
Valves	Valve clearance	IN	0.10±0.02	---
		EX	0.15±0.02	---
	Stem O.D.	IN	3.965—3.980	3.90
		EX	3.955—3.970	3.90

	Guide I.D.	IN/EX	4.000—4.030	4.06
	Seat width	IN/EX	0.7	1.8
Valve spring	Free length	IN/EX	26.4	24.9
Cam wheel	Cam height		29.026-29.086	28.5
Camshaft	O.D		8.966-8.975	8.92
	Camshaft bearing I.D.		9.000-9.015	9.035
Rocker arm	I.D.(Rocker arm)		6.000-6.012	6.037
	O.D.(Rocker arm shaft)		5.972-5.980	5.965
	I.D.(Rocker arm shaft bearing)		6.000-6.012	6.037
Carburetor	Main jet		0.60	—
	Float height		12	—
	Pilot screw opening		2 turns out	—
Spark plug	Gap		0.6—0.7	—
Ignition coil	Resistance	Primary side	0.8—1.3Ω	—
		Second side	15 —21kΩ	—
Pulse coil (Trigger)	Air gap		0.5-0.75	—
	Resistance		80~130Ω	—

2.6 Alternator

Part	Item	Type	Standard(Ω)			
			120V		240V	
Ignition winding	Resistance	Green-Yellow/Green	0.40-0.55			
Outer charging winding	Resistance	Blue--Blue	0.12-0.15			
Sub winding	Resistance	White-White (IG) White-White (CG)	0.15-0.30			
Main winding	Resistance	Black—Black-Black (IG) Black-Yellow/Black-Gr een/Black-Red (CG)	1.35-1 .75	5.0-5.5	0.18-0. 21	0.65-0. 90

2.7 Torque values

Item	Specification	Tightening torque	
		N·m	kgf·m
Connection rod bolt	M5X0.8X25	8-10	0.8-1.0
Spark plug	M10X1.0X13	13-15	1.3-1.5
Crankcase cover	M6X25	8-10	0.8-1.0
Flywheel nut	M12X1.25	48-52	4.8-5.2
Standard torque	M5 Bolt, nut	5-7	0.5-0.7
	M6 Bolt, nut	8-10	0.8-1.0
	M8 Bolt, nut	18-22	1.8-2.2

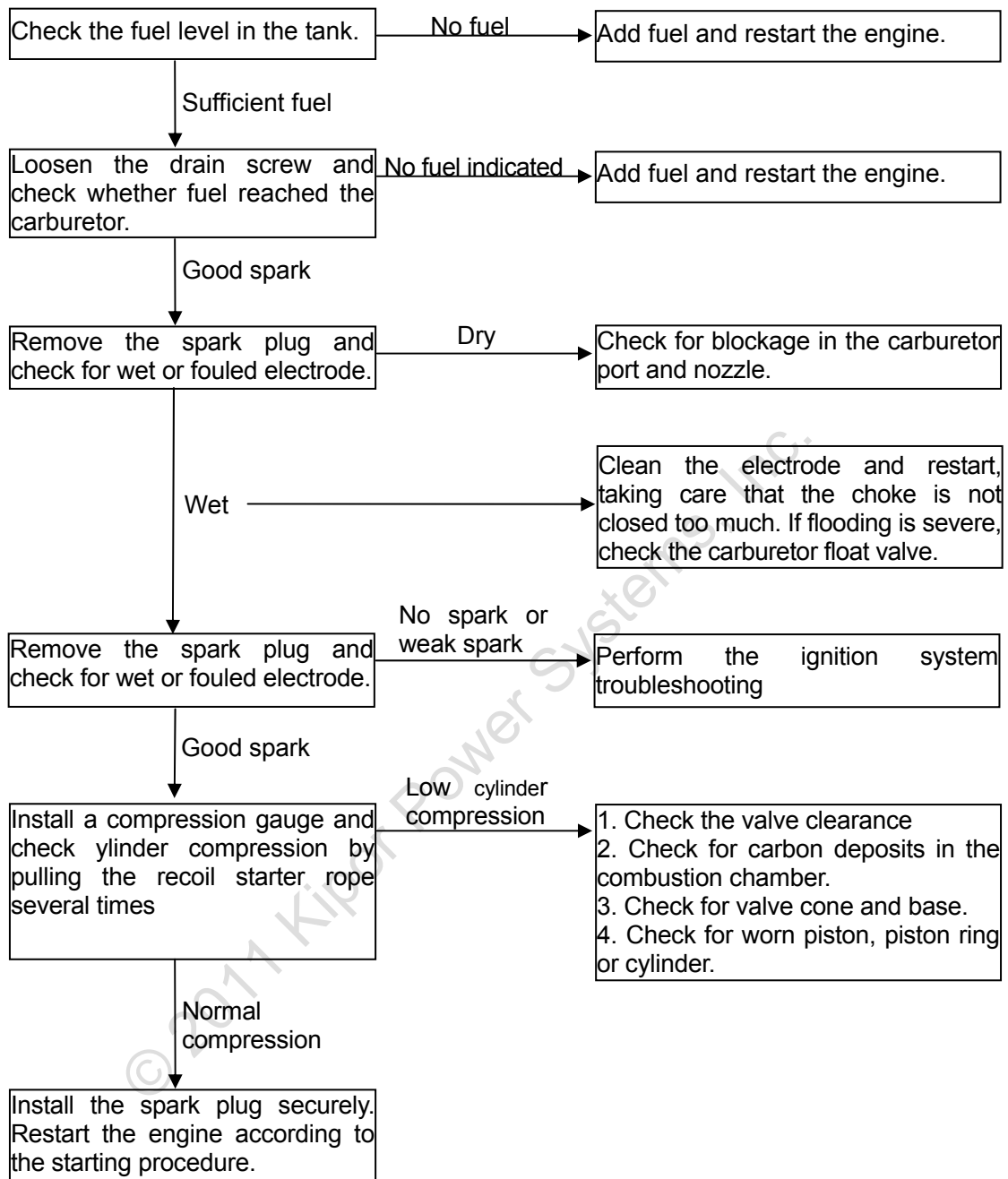
Note: Use standard torque values for fasteners that are not listed in this table

3. TROUBLESHOOTING

3.1 General symptoms and possible causes

Engine does not start or hard starting	Fuel filter clogged	Clean
	Fuel tank tube clogged	Clean
	Fuel switch clogged	Clean
	Carburetor faulty	Clean or replace
	Ignition coil faulty	Inspect and replace
	Spark plug faulty	Inspect and replace
	Trigger faulty or trigger clearance faulty	Inspect and replace
	Spark plug cap loose.	Install securely
	Low oil alarm faulty	Inspect and replace
	Igniter faulty	Inspect and replace
	Ignition winding faulty	Inspect and replace
	Throttle opening fault	Set in fully closed or half closed position
	Engine speed does not stabilize, too high or too low	Carburetor faulty
Throttle control motor (stepping motor) faulty		Inspect and replace
Inverter unit faulty		Inspect and replace
Valve clearance misadjusted		Readjust

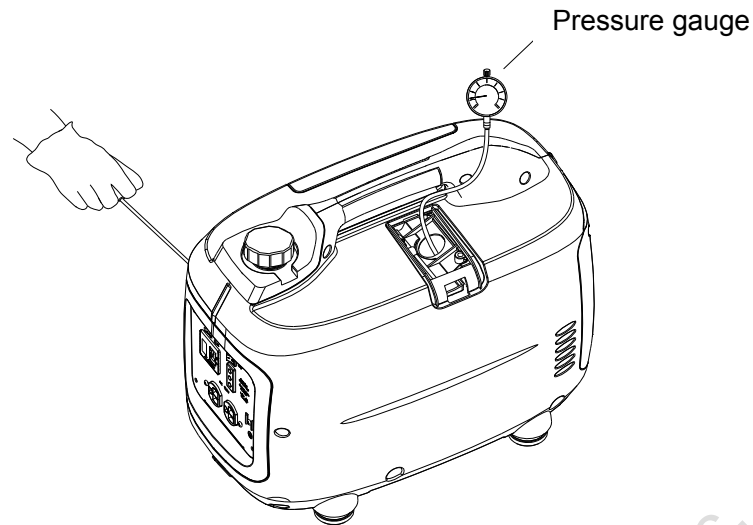
3.2 Hard starting



■ Cylinder compression check

1. Remove the spark plug cap and spark plug.
2. Install a compression gauge in the spark plug hole, pull the recoil starter rope several times with force and measure the cylinder compression.

Cylinder compression	0.45Mpa/800rpm
----------------------	----------------

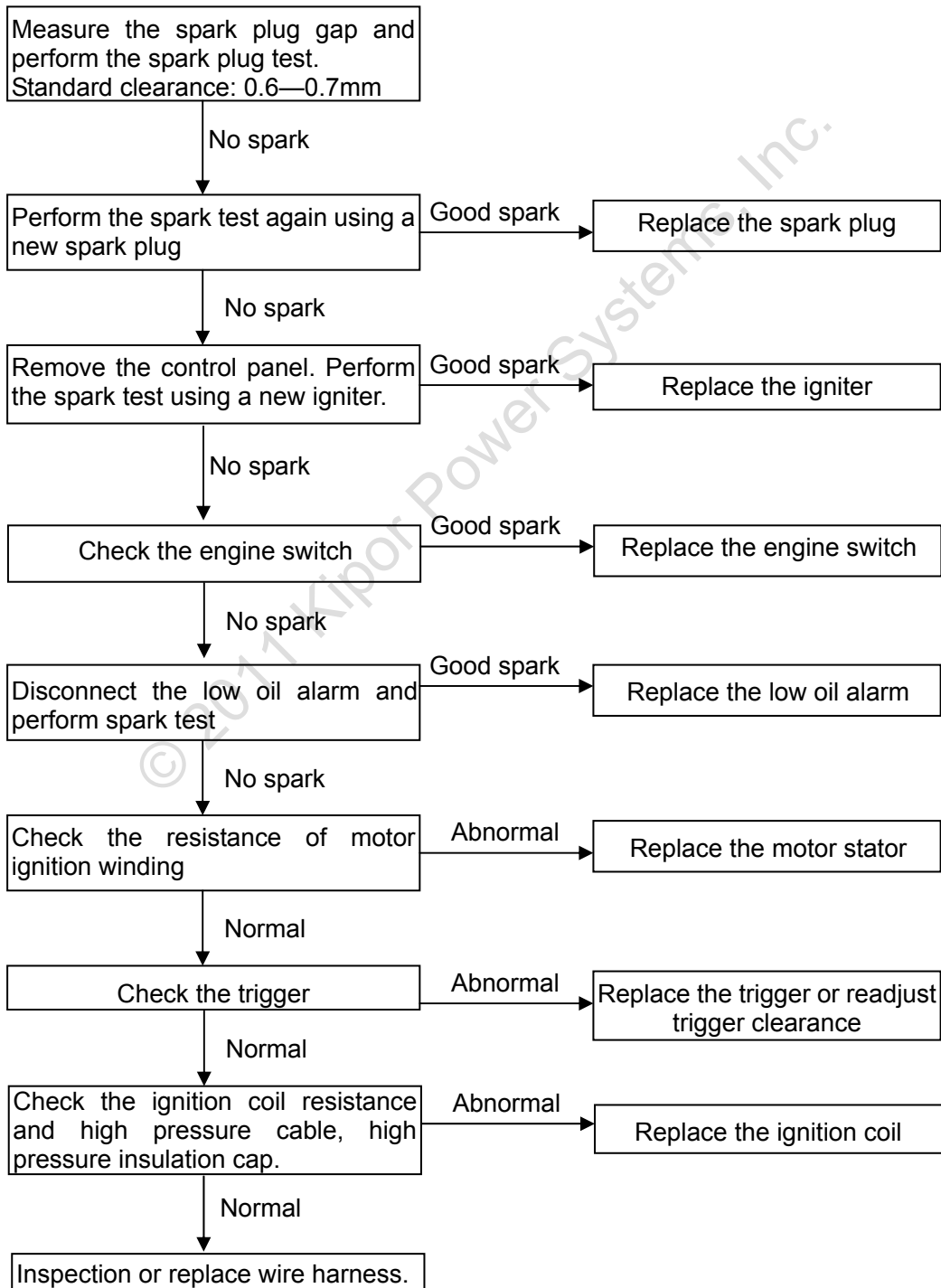
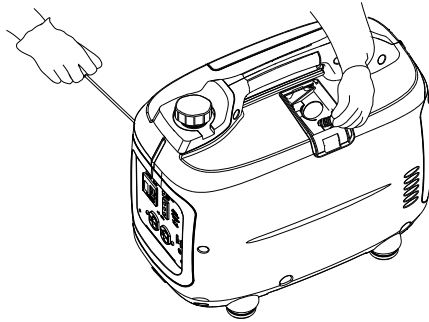


c. Ignition system

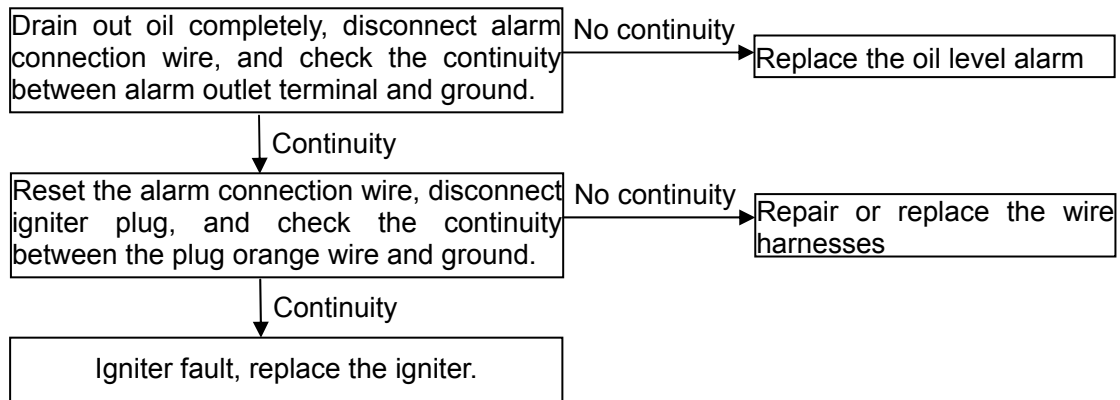
- Fill in oil to the demanded level.
- Use specified UR5 spark plug
- Spark plug inspection
 1. Disassemble spark plug
 2. Install spark plug onto spark plug cap.
 3. Set the oil switch to the "ON" position. Ground the negative (—) electrode (i.e. threaded part) of the spark plug against the shroud and pull the recoil starter rope to check the spark plug. You should see a clear spark.



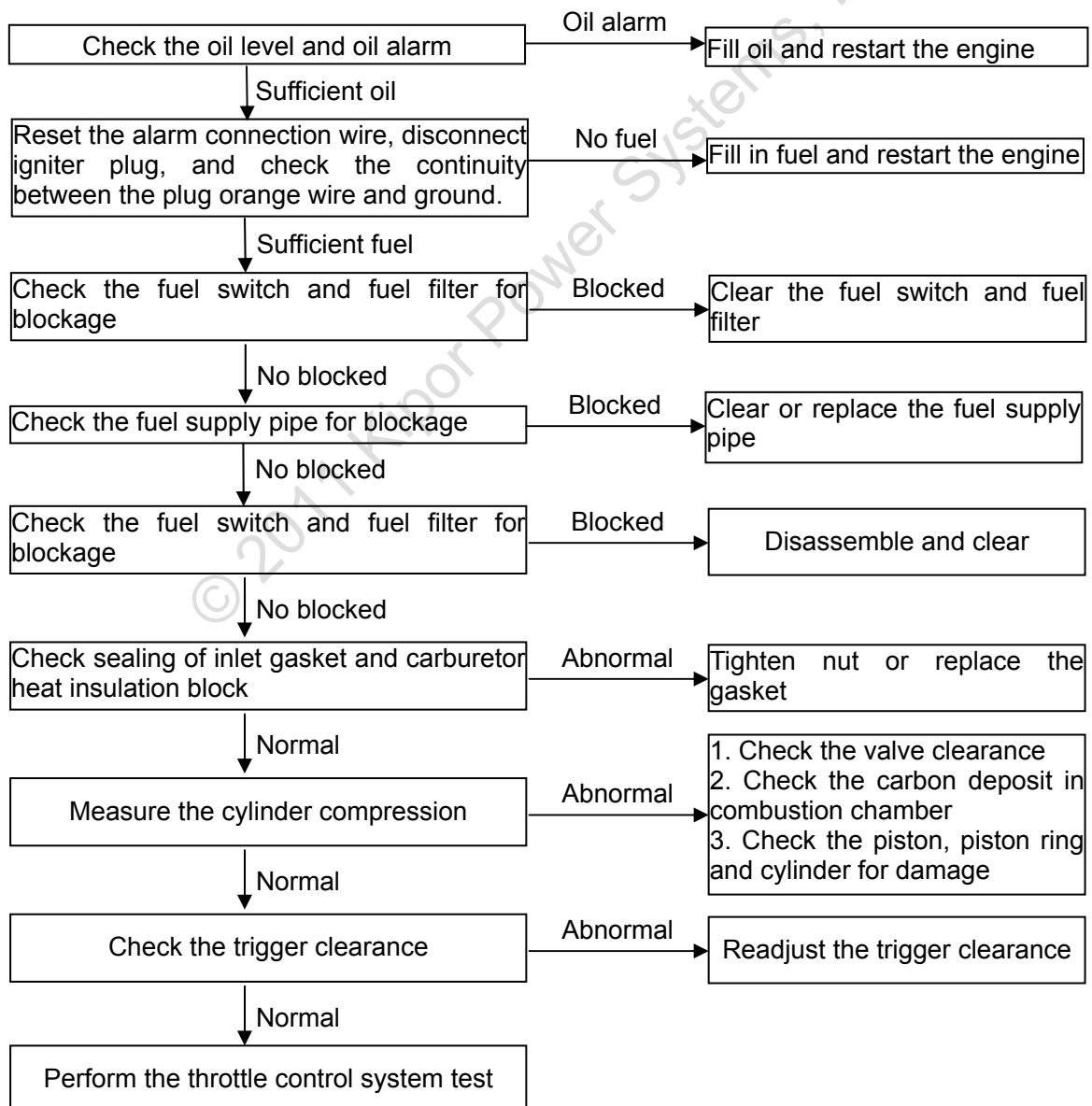
- Don't pull the recoil starter while touching the high tension wire with wet hands. High voltage is generated and very dangerous.
- Drain the gasoline from the fuel tank and carburetor.
- Pull the recoil starter several times to release the unburned gas in the cylinder with the engine switch OFF.



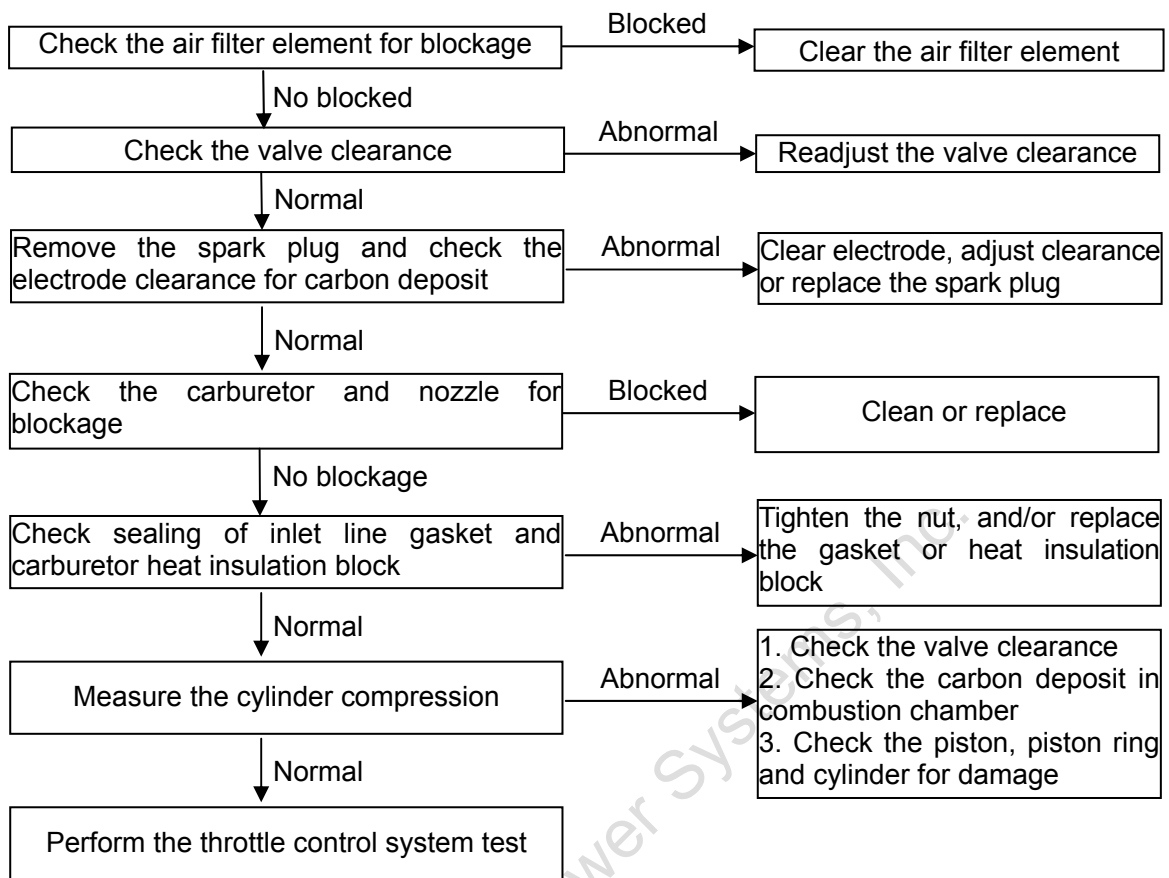
3.3 Engine oil level is low, but engine does not stop. (Defective oil alarm device)



3.4 Engine stops running (Throttle is at the correct position)

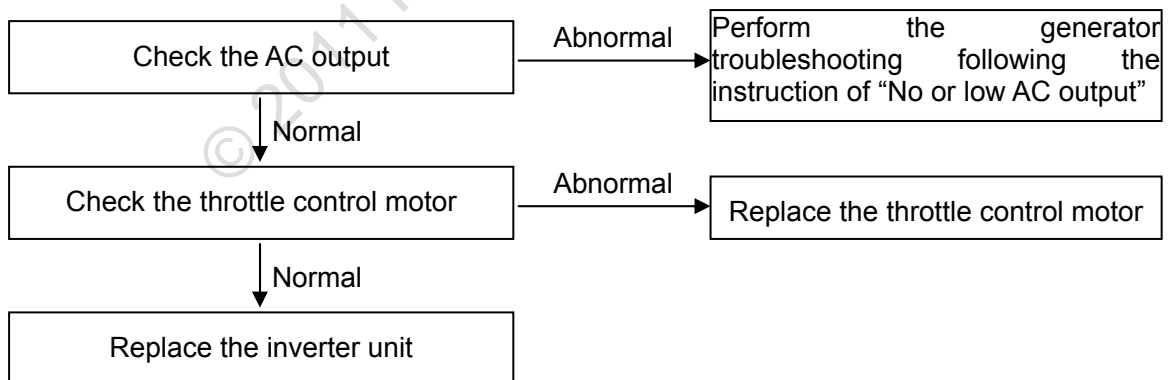


3.5 Engine speed can't increase or unstable (choke is at the correct position)

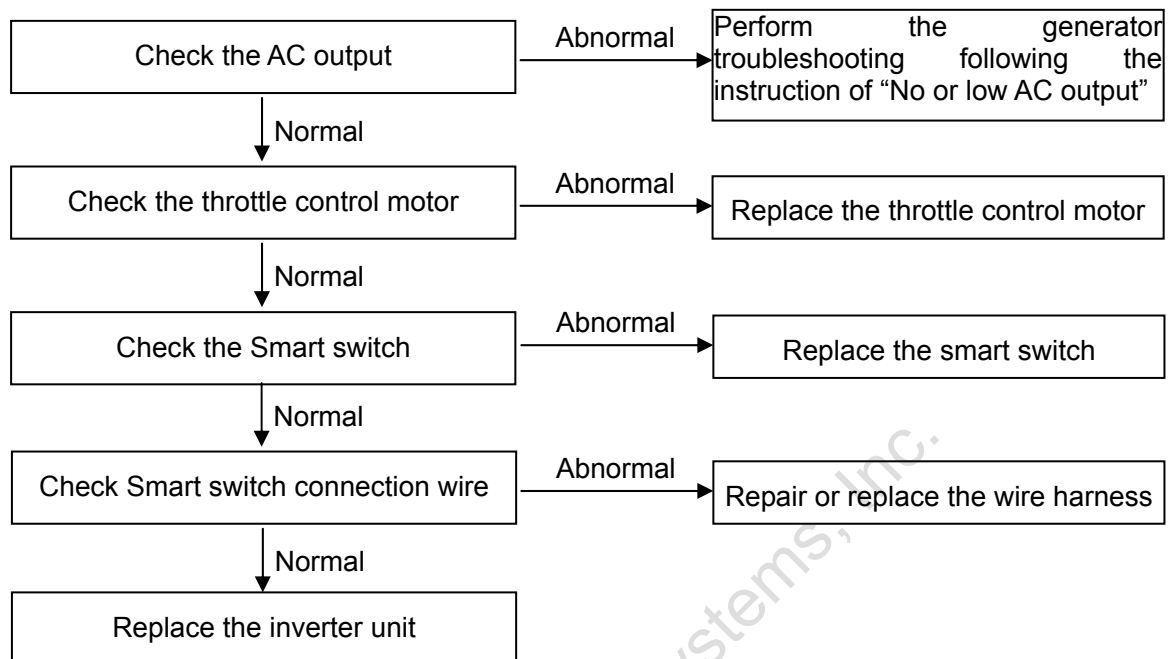


3.6 Throttle control system test

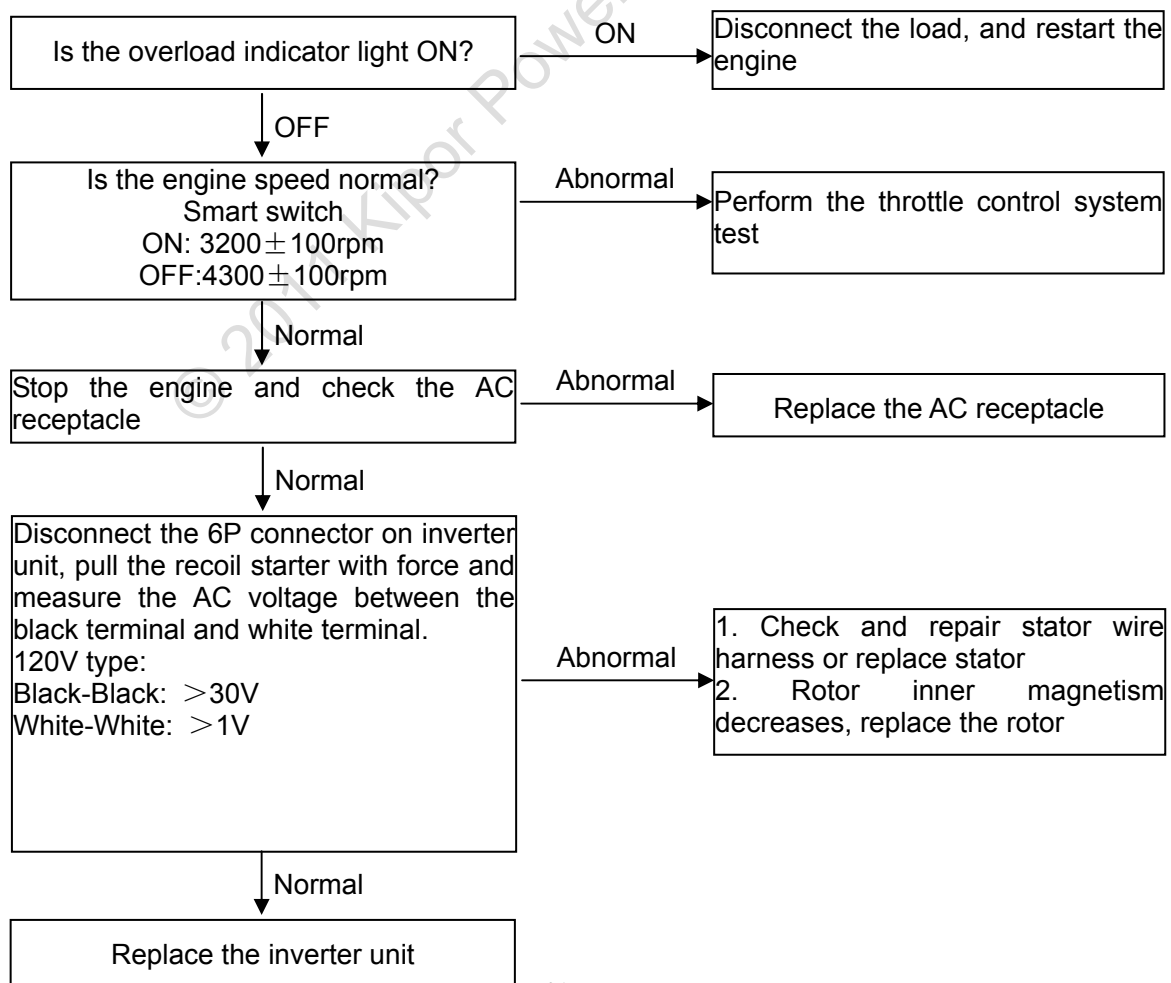
1. Engine speed too high or too low

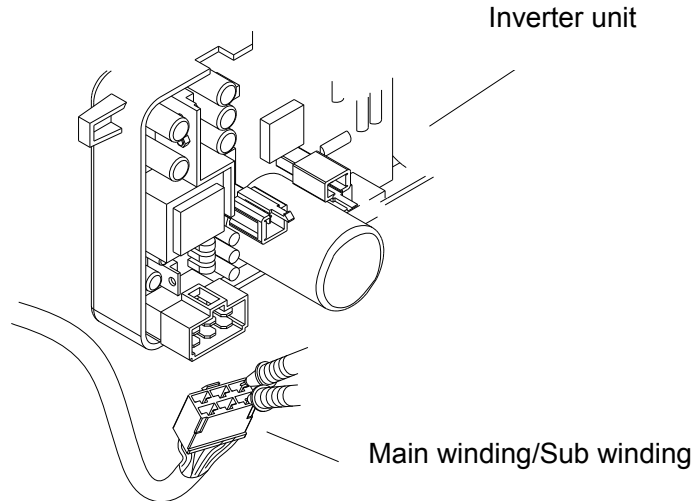


3.7 Smart throttle doesn't work with zero load, engine speed doesn't increase with smart throttle on and load connected.



3.8 No or low AC output

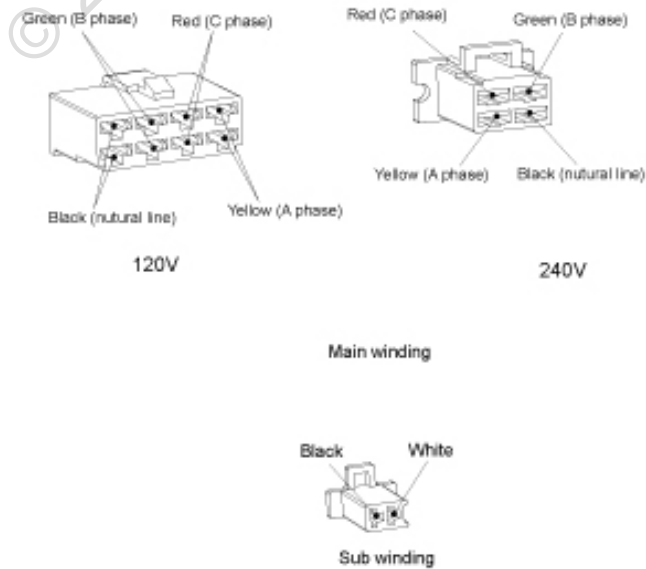




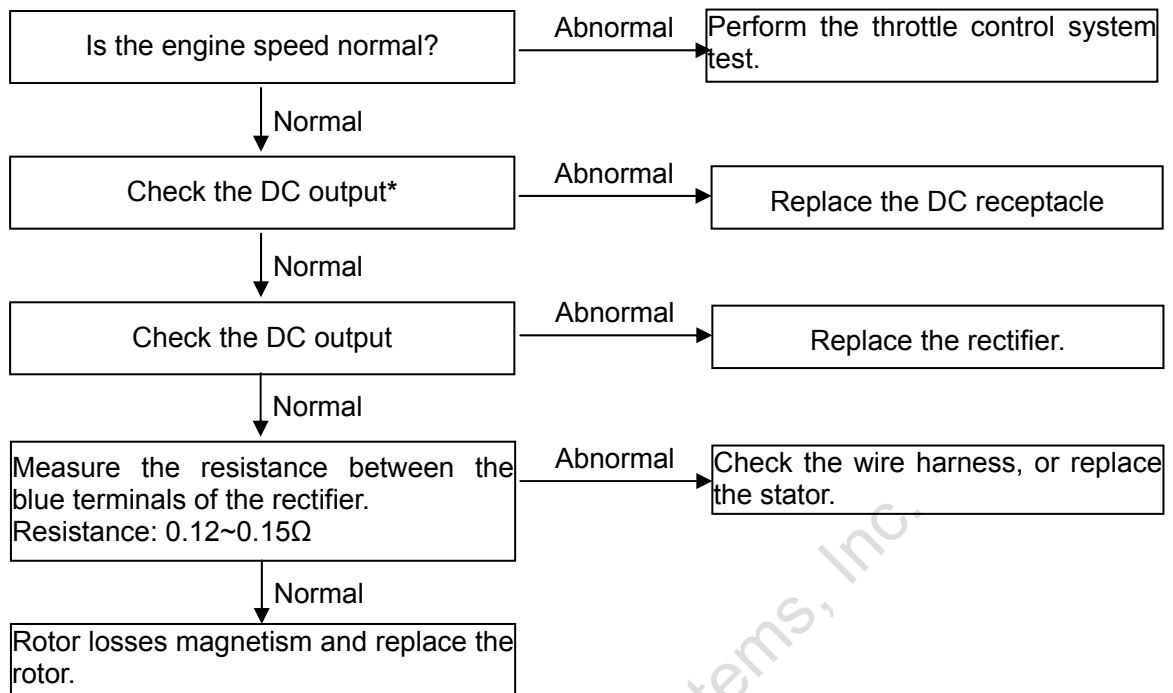
Measure voltage

Model	Phase wire color: Black-Black-Black Sub winding color: White-White	
	120V	240V
Item		
Voltage between phase wires	> 30V	> 60V
Sub winding voltage	> 1V	

Phase sequence arrangement



3.9 No DC output



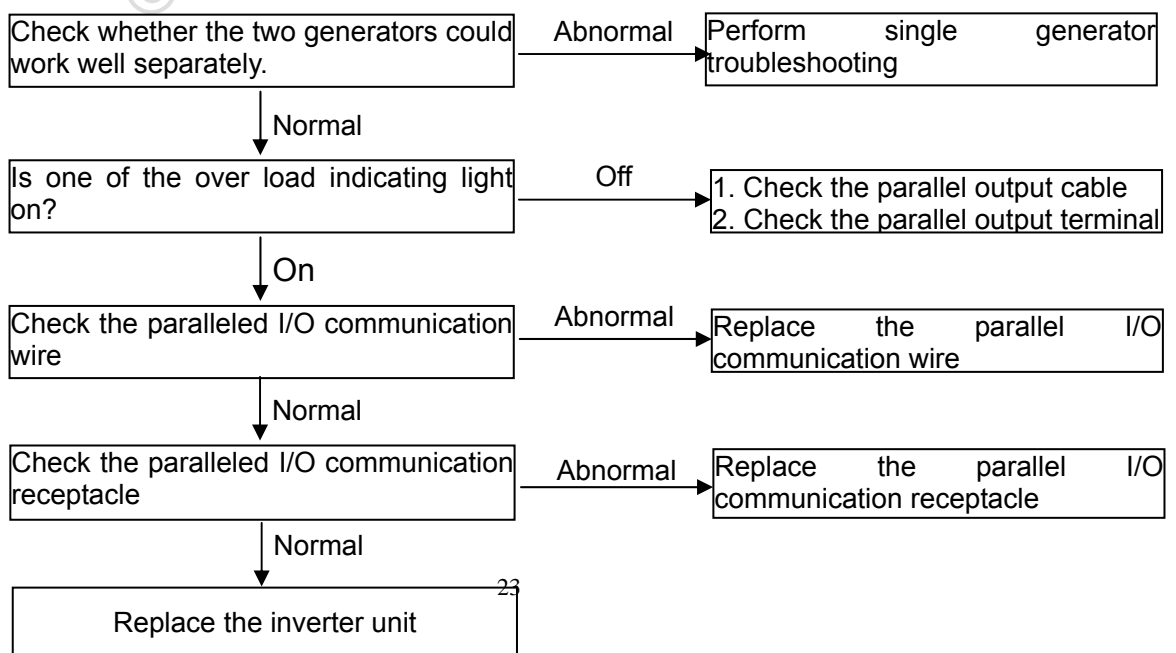
*later models had a fuse in the receptacle. Check the fuse before replacing the receptacle.

3.10 No Parallel Output (prior to 2011 model year)

■ Make sure that the parallel output cables are inserted into the parallel cable connectors on the control panel..



- Use only KIPOR parallel output cables.
- Use only the KIPOR parallel output box.
- Don't use any control panel receptacles when running in parallel..
- Don't disconnect the parallel cables while either generator is operating.





4. MAINTENANCE

4.1 Maintenance schedule

Regular service period(1)		Each use	First month or 20 Hrs.	Every 3 months or 50Hrs.	Every 6 months or 100 Hrs.	Every year or 300 Hrs.
Item perform at every indicated month or operating hour interval, whichever comes first						
Engine Oil	Check	●				
	Replace		●		●	
Air filter	Check	●				
	Clean			●②		
Spark plug	Clean-Adjust				●	
Spark catcher	Clean-Adjust				●	
Valve clearance	Check-Adjust					●③
Fuel tank and filter	Clean					●③
Fuel line	Check	Every 2 year (Replace if necessary)				

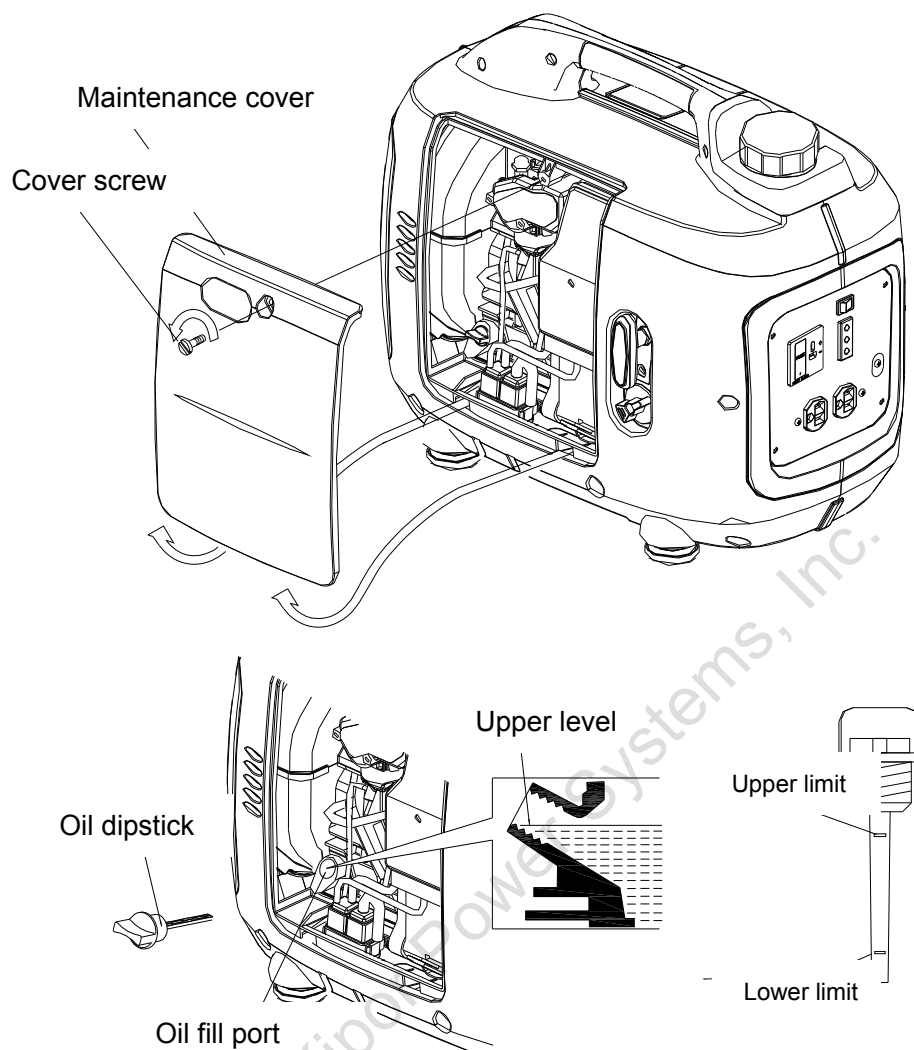
Note:

- (1) For commercial use, operation hours are determined by proper maintenance.
- (2) Service more frequently when operating in dusty areas.
- (3) Service by an authorized Kipor service center.

■ Checking the oil level

Stop the engine and check the oil level, be sure to put the engine on a flat floor when checking.

1. Loosen the screws of the maintenance cover and remove the cover.
2. Remove the oil filler cap and check for the oil level.
3. If the oil level is low, add to the edge of the oil fill port.

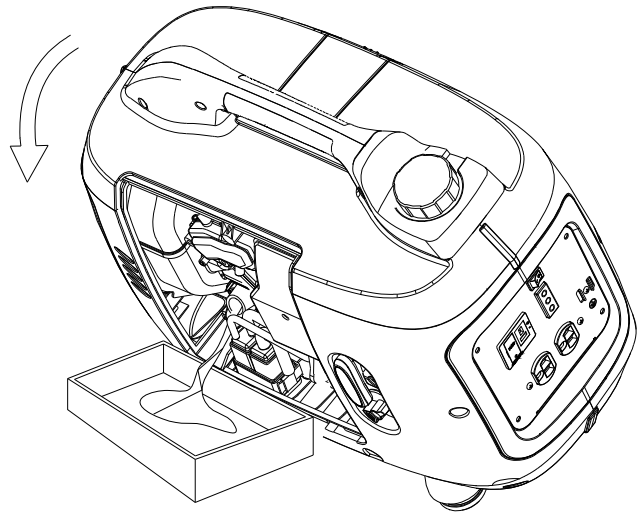


■ Replace the engine oil

1. Disassemble the oil dipstick and oil drain bolt, drain used oil.
2. Tighten the oil drain bolt..
3. Refill with clean oil. (Oil capacity is 0.4L)
- ※ Recommended oil: SAE10W-30 or SAE30, API Service Classification SE, SF or SG.
4. Check the oil level; fill to the upper limit level if necessary.
5. Tighten the oil dipstick.

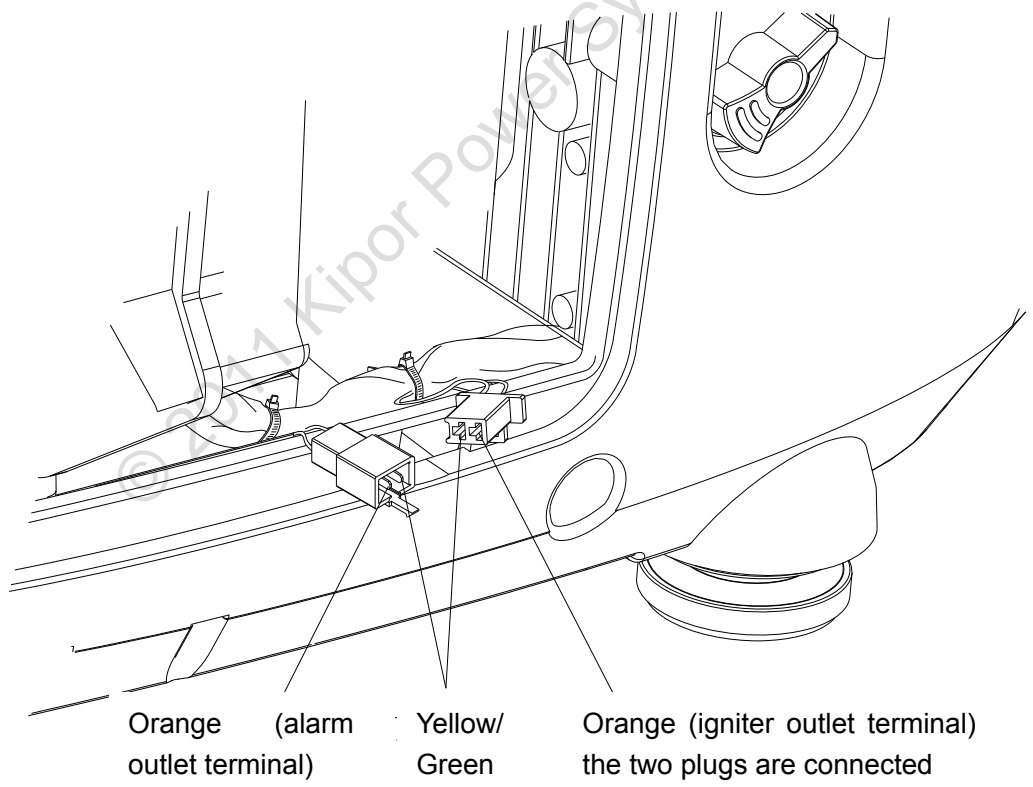
■ Please dispose of the used motor oil in a manner that is compatible with the environment. We suggest you take used oil in a sealed container to your local recycling center or service station for reclamation. Do not throw it in the trash; pour it on the ground, or down a drain.

■ Drain the used oil while the engine is warm. Warm oil drains quickly and completely.

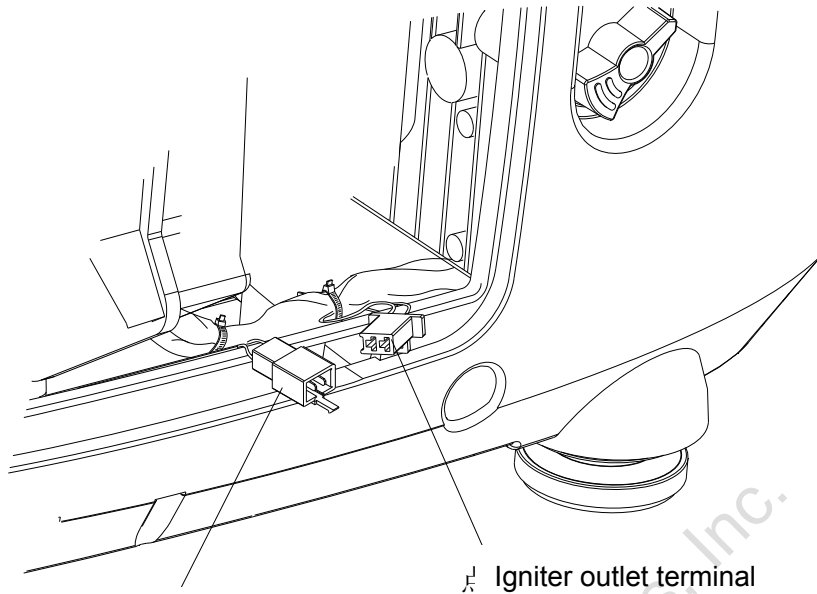


4.2 Checking the low oil alarm

1. Disconnect oil alarm connector when the engine is still running, connect the two plugs, be sure that oil alarm lights and engine stops.



2. Stop engine, disconnect oil alarm connector, check the connector conduction, no conduct is normal.



Alarm outlet terminal
check the conductivity
between the two wires

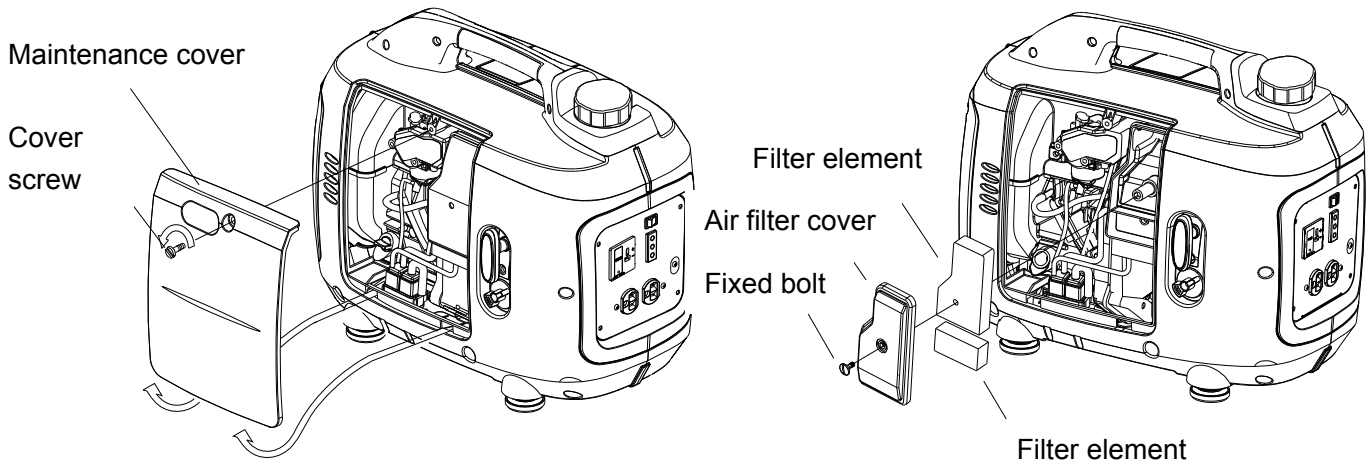
Igniter outlet terminal

3. Drain out the oil inside engine and check the conductivity, conductivity is normal.

4.3 Air cleaner

Inspection/Cleaning:

- 1) Loosen the cover screw and remove the maintenance cover.
- 2) Disengage the locking tab by pushing it, and remove the air cleaner cover.
- 3) Remove the element from the air cleaner case.
- 4) Clean the element in warm soapy water, rinse and allow to dry thoroughly, or clean with a high flash point solvent and allow to dry.
Dip the element in clean engine oil and squeeze out the excess oil.
Excess oil will restrict air flow through the foam element and may smoke at engine start.
- 5) Install the air cleaner element in the air cleaner case.
- 6) Clean the air cleaner seal and the air cleaner case if necessary. Be sure that the air cleaner cover seals are set securely..
- 7) Install the maintenance cover securely.

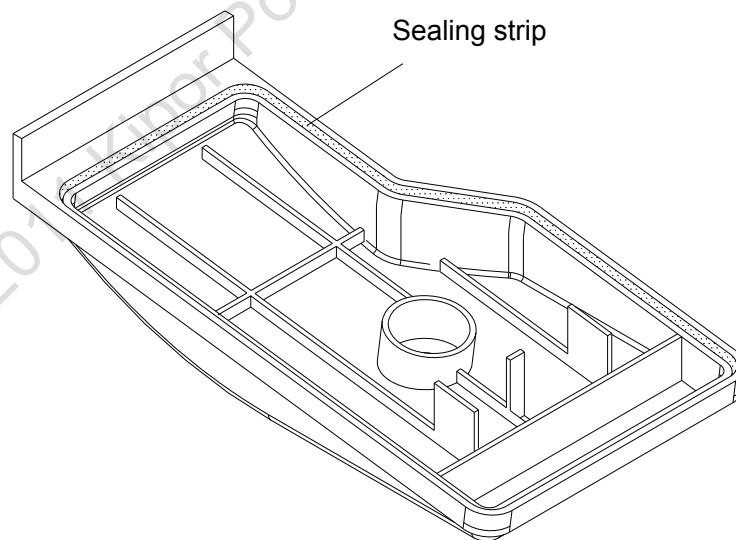


Wash

Dry

Dip in engine oil

Squeeze firmly



Caution

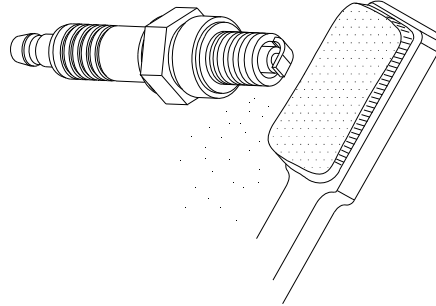
■ A dirty air cleaner will restrict air flow to the carburetor, reducing engine performance. If the engine is operated in dusty areas, clean the air cleaner more often than specified in the Maintenance Schedule.

■ Never run the engine in case there is no element or the filter is damaged, as it will do great harm to the engine.

4.4 Spark plug

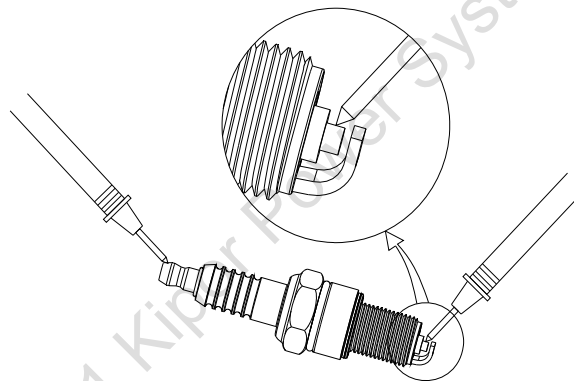
Inspection/Cleaning:

- 1) Remove the spark plug cap and remove the spark plug.
- 2) Remove carbon or other deposits with a plug cleaner or stiff wire brush. Check the sealing washer for damage.



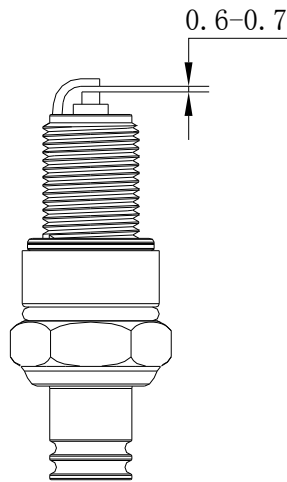
- 3) Measure the plug resistance; replace the spark plug if the measure is not accordance with the specification.

Spark plug resistance	3~9K Ω
-----------------------	---------------



- 4) Measure the plug gap with a feeler gauge. Adjust by bending the side electrode if the reading is not within the specification..

Spark plug clearance	0.6~0.7mm
Standard spark plug	UR5



- 5). Install the plug finger tight to seat the washer, then tighten with a plug wrench.
Torque valve is 13~15 N.m

4.5 Valve clearance

Caution

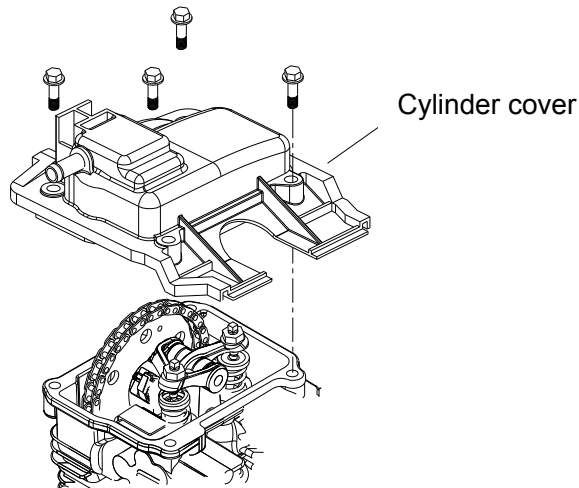
- Valve clearance inspection and adjustment must be performed with the engine cold.

Inspection/Adjustment:

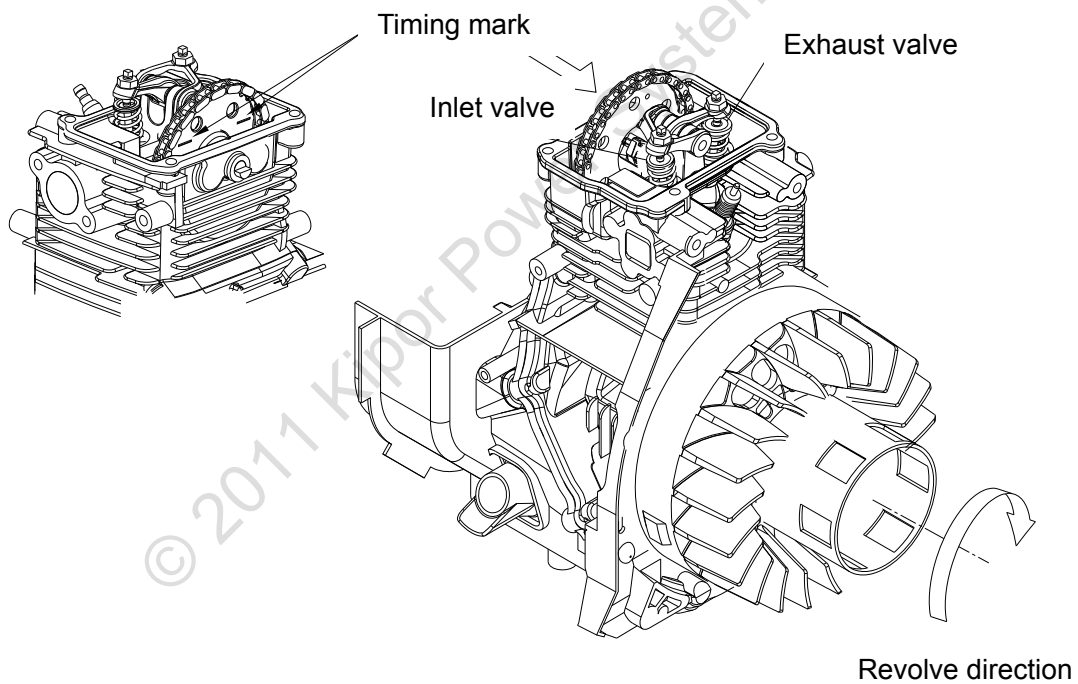
- 1) Remove the following parts:

- Front cover, control panel
- Rear cover
- Right/left side covers
- Fuel tank
- Inverter unit, engine bed
- Recoil starter, fan cover
- Inlet/Exhaust side baffle

- 2) Remove the four bolts and disassemble the cylinder cover. Don't remove the valve cover with excessive force or it will deform. Replace the valve cover if it is deformed.



3) Turn the rotor to set the piston at top dead center of the compression stroke. Timing line of camshaft driving chain should align with the cylinder head seal. Insure the intake and exhaust valves are closed.



Caution

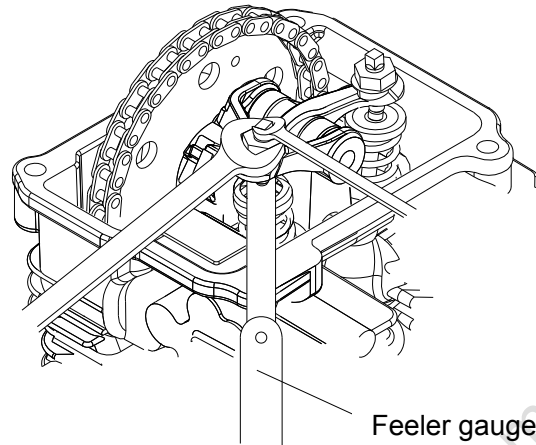
■ If the intake valve is open, turn the rotor again to align the timing line with the cylinder head seal and both the inlet and exhaust valves should be closed.

4) Insert a feeler gauge between the rocker arm and the valve and measure the valve clearance.

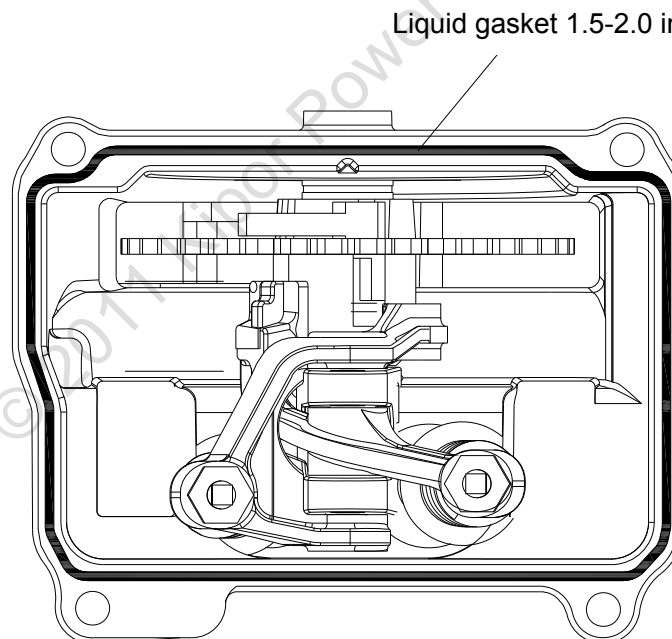
Valve clearance	IN	0.06mm
	EX	0.08mm

5) If adjustment is necessary, proceed as follows.

- a. Loosen the adjusting screw lock nut and adjust the valve clearance by turning the adjusting screw in or out.
- b. Secure the adjusting screw with a socket wrench and tighten the lock nut to the specified torque.
- c. After tightening the lock nut, check the valve clearance again.



6) Clean the liquid gasket of the cylinder block and cylinder head cover. Apply the liquid gasket (Three Bond 1207B or equivalent) to the cylinder block installation surface as shown.



7) Install the removed parts in the reverse order of removal.

4.6 Fuel tank/Fuel filter EPA/CETL Models

Caution

■ Gasoline is highly flammable and explosive. You can be burned or seriously injured when handling fuel. Keep heat, sparks, and flame away. Wipe up spills immediately.

Cleaning:

1) Drain the fuel from the tank and carburetor, and then remove the following parts.

—Rear cover

—Front cover and control panel

—Right/Left side cover

2) Disconnect the fuel tube from the fuel tank, and remove the fuel filter.

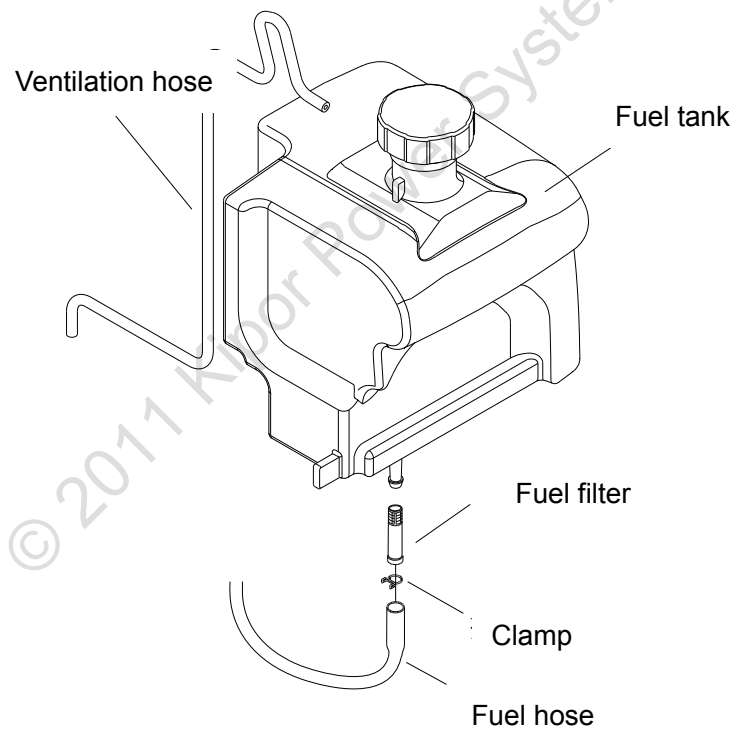
3) Remove the clogged foreign material from the fuel filter, and check the fuel filter for damage. Replace the fuel filter if necessary.

4) Remove the fuel tank and clean it with solvent and allow the fuel tank to dry thoroughly.

5) After cleaning, install the fuel tank and set the fuel filter in the tank. Connect the fuel tube.

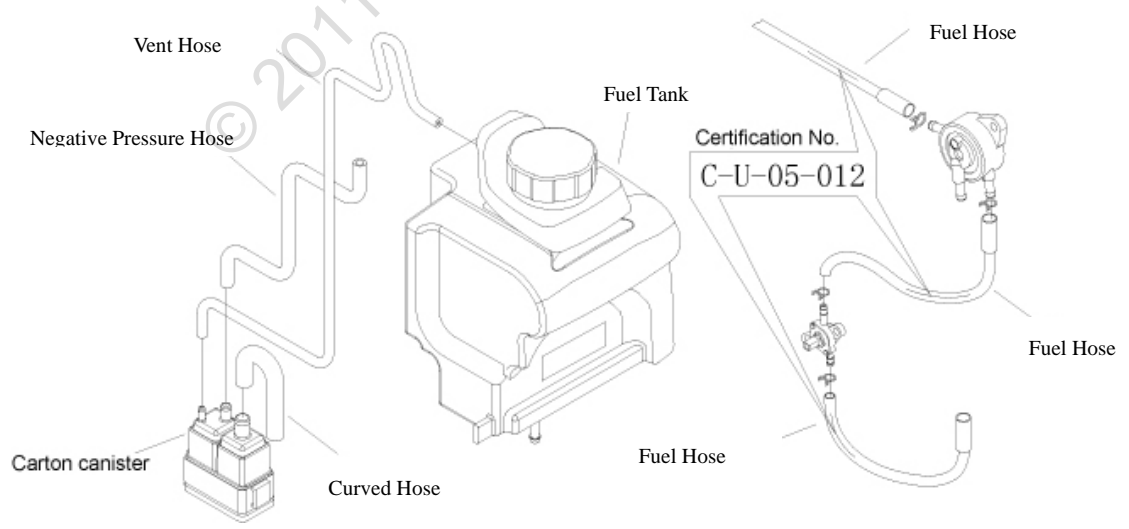
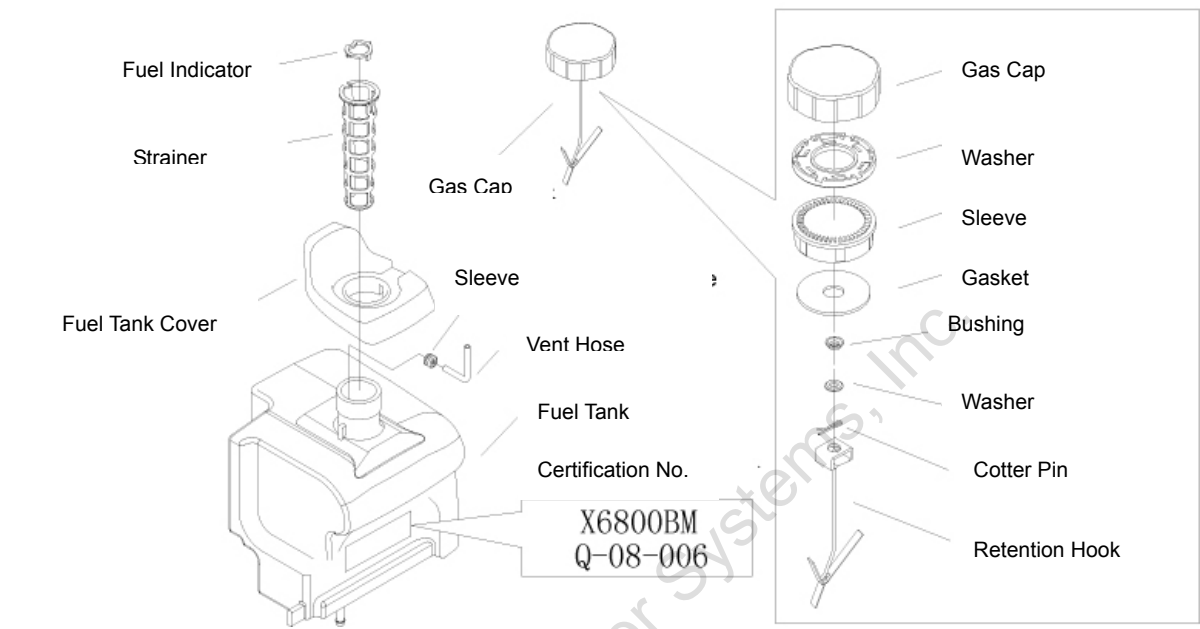
6) Install the removed parts in the reverse order of removal.

7) Fill the fuel tank with gasoline and check the fuel hoses for gasoline leakage.



4.6 Fuel tank/Fuel filter CARB Models

Fuel System



4.7 Fuel hose/ Fuel pump/Diaphragm tube

Caution

■ Gasoline is highly flammable and explosive. You can be burned or seriously injured when handling fuel. Keep heat, sparks, and flame away. Wipe up spills immediately.

1) Drain the fuel from the tank and carburetor, and then remove the following parts.

—Rear cover

—Front cover and control panel

—Right/Left side cover

2) Check the fuel tube for deterioration, cracks and gasoline leakage. If there is any abnormality in the fuel tube, replace the tube.

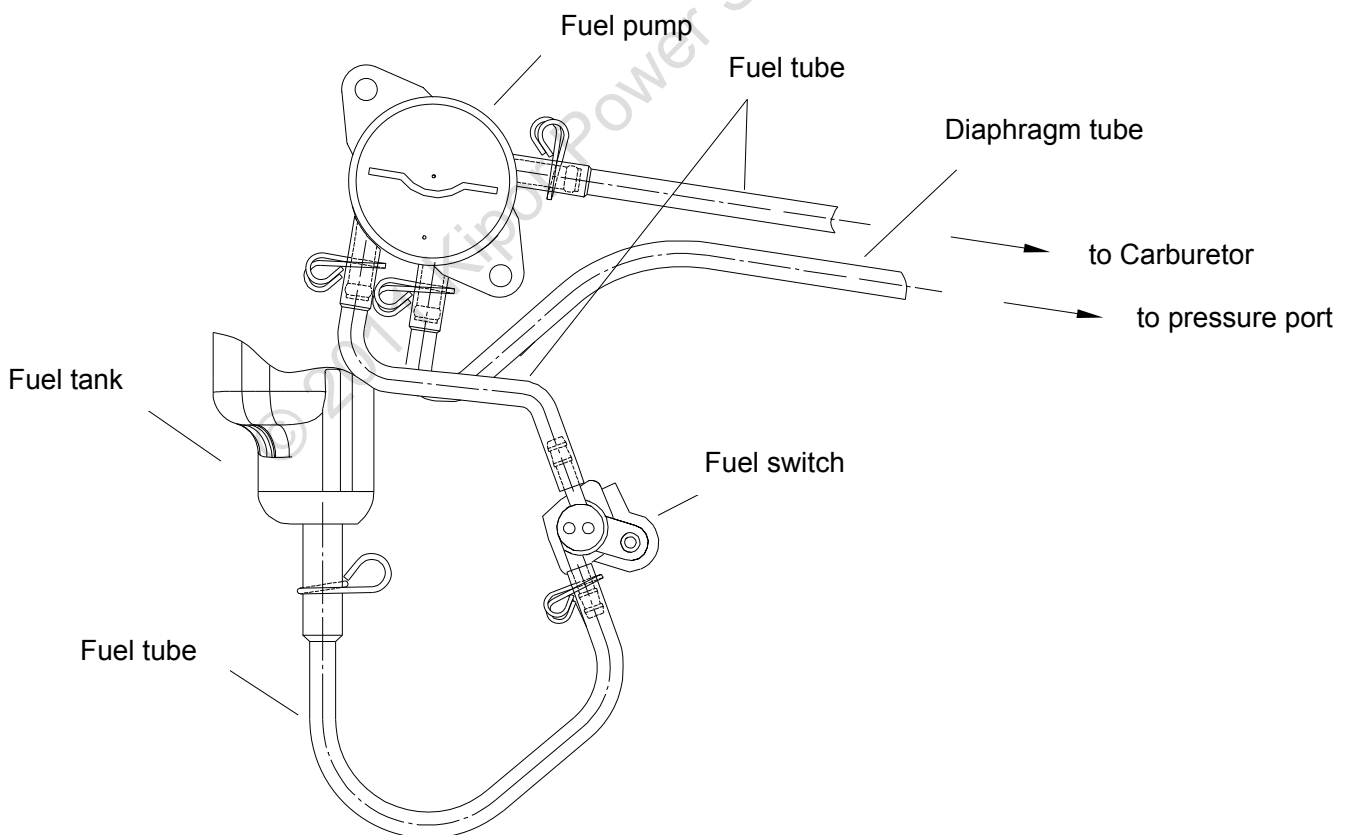
3) Check the diaphragm tube for deterioration, crack and gasoline leakage. If there is any abnormality in the diaphragm tube, replace the tube.

4) Check to see whether water or foreign material has been accumulated in the fuel pump.

If there is water or foreign material accumulated in the pump, replace the fuel pump.

5) Check the fuel switch and fuel duct, blow away any foreign matter with compressed air with fuel switch turned on.

6) After assembly, check for gasoline leakage from each component.

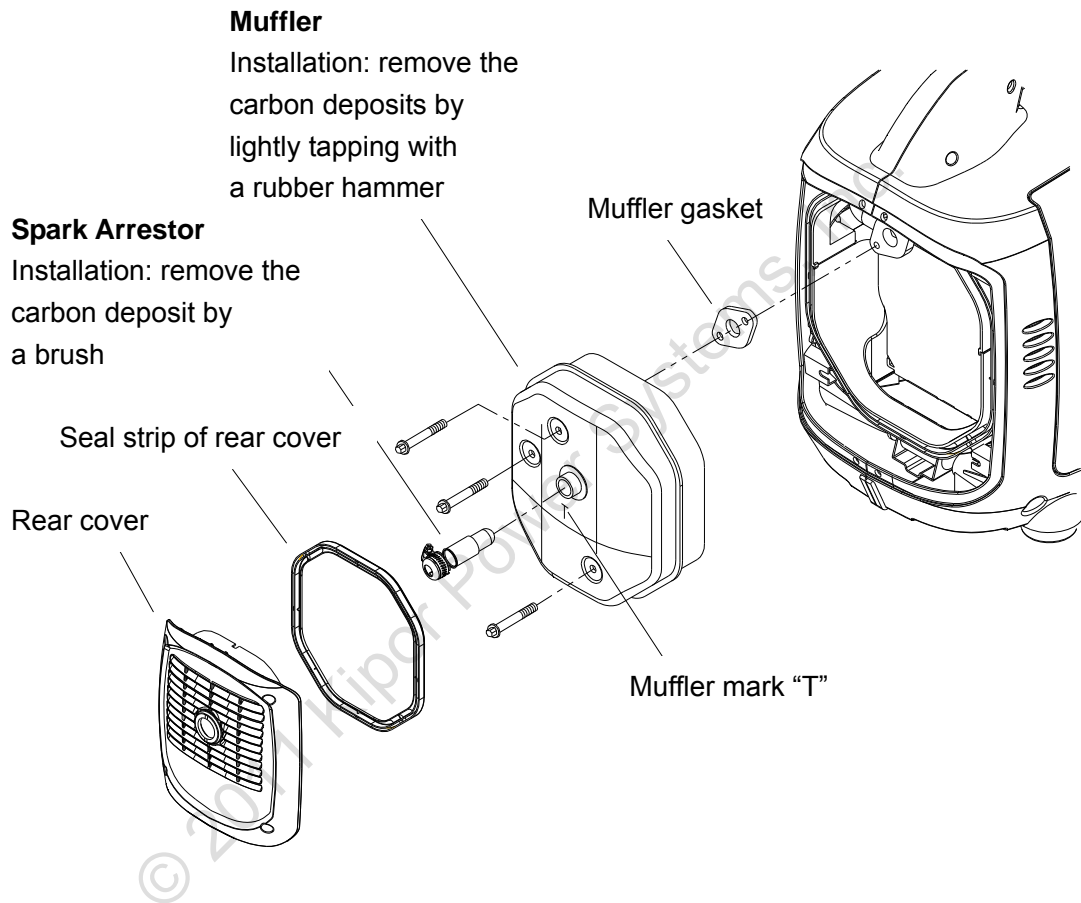


5. EXHAUST SYSTEM

Caution: Muffler removal/installation must be performed with the engine cold.

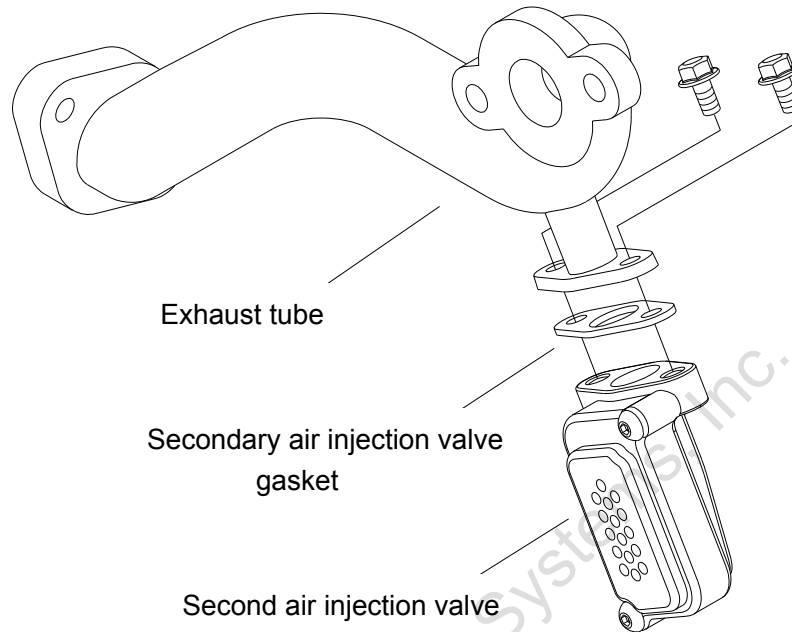
5.1 Muffler

Disassembly/Reassembly



5.2 Exhaust tube, secondary air injection valve

● Disassembly/Reassembly



5.3 Spark Arrestor

Caution

- Do maintenance after engine has cooled completely.
- (1) Remove the rear cover
 - (2) Disassemble the spark arrestor from the muffler
 - (3) Remove the carbon from the spark catcher steel net, check for damage, and replace if necessary.
 - (4) Install the removed parts in the reverse order of removal.

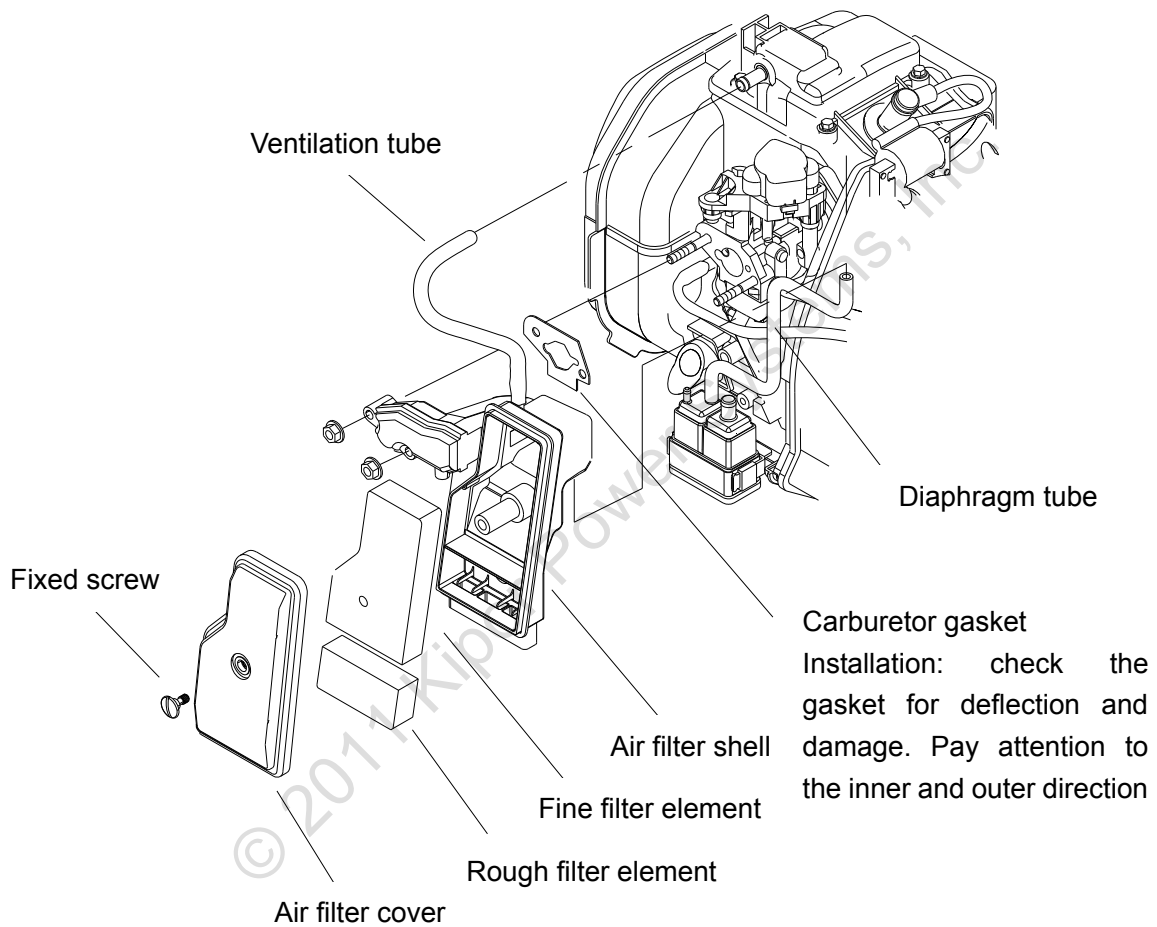


6. INTAKE SYSTEM

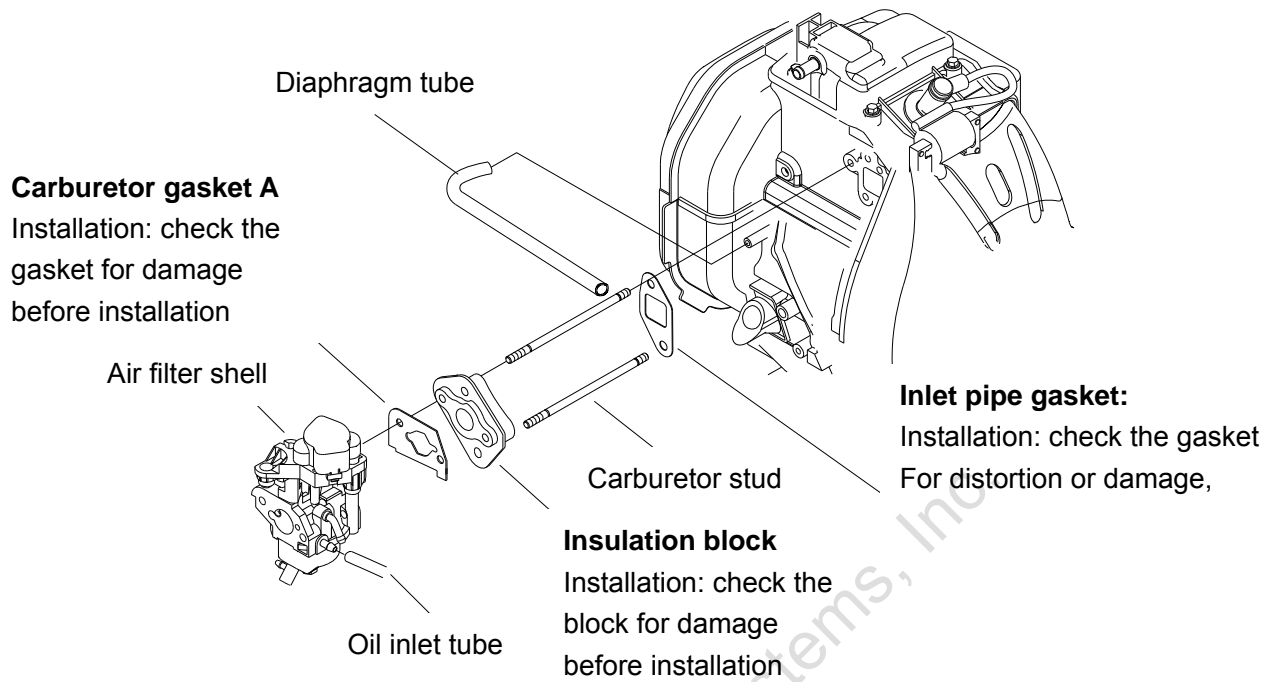
Caution

- Loosen the drain oil and drain out fuel before disassembly.
- Keep heat, flame and sparks away.

6.1 Disassembly/Installation of air filter

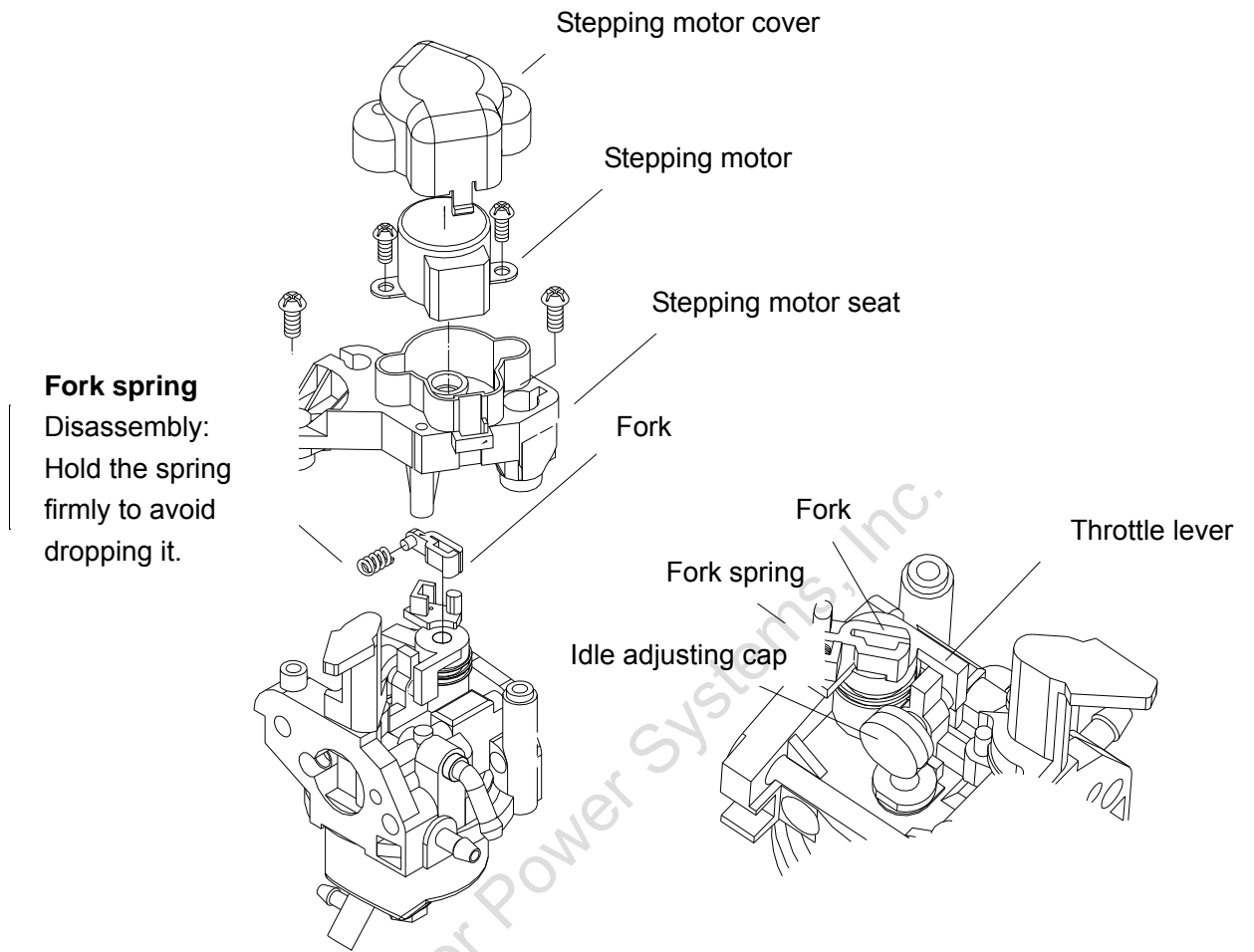


6.2 Disassembly/Installation of Carburetor



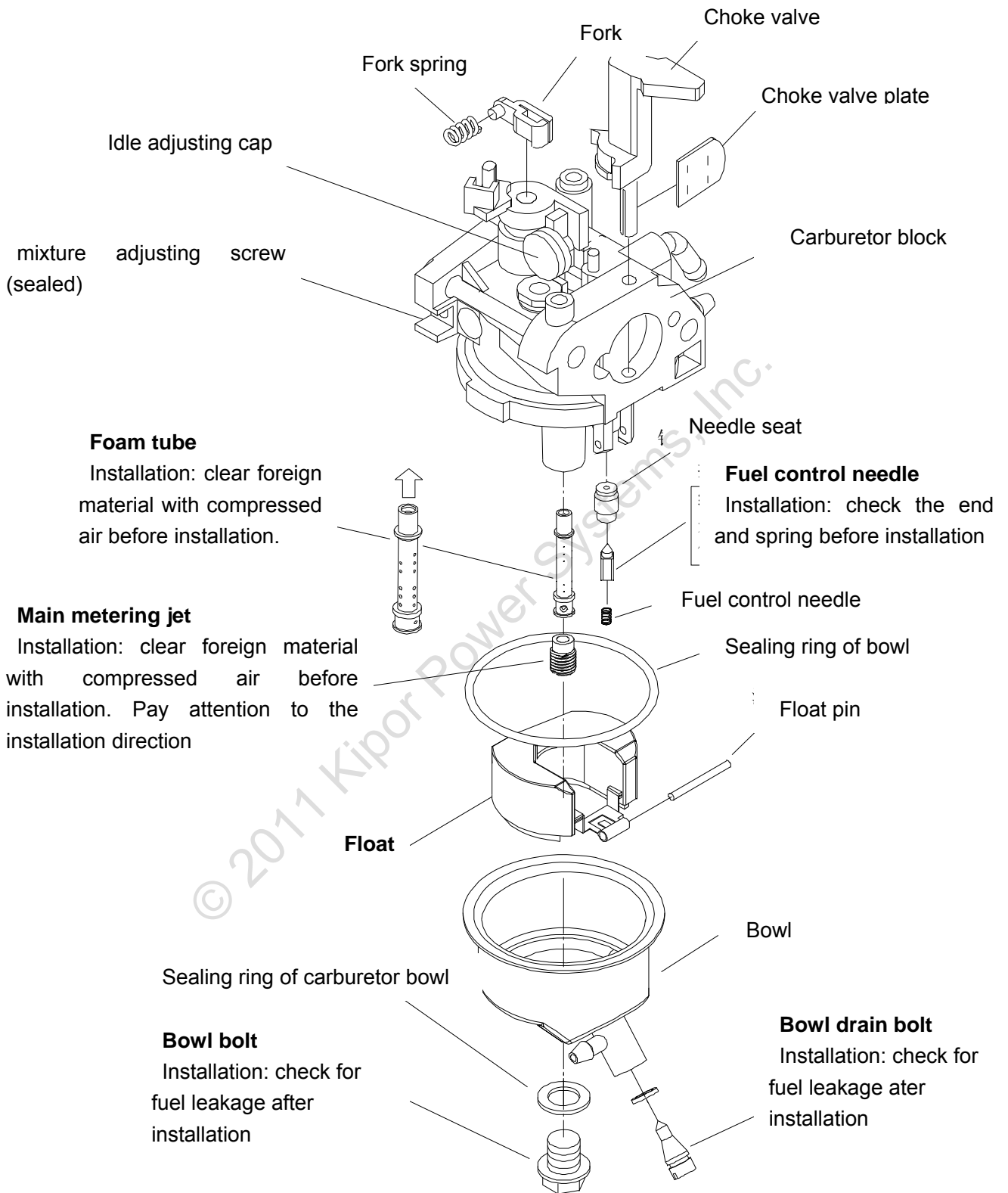
© 2017 Kipor Power Systems, Inc

● Disassembly/Installation of Stepping motor



© 2017 Kipor Power Systems, Inc.

● **Disassembly/Installation of Carburetor**



NOTE: With the exception of changing the main jet, no adjustments, modifications, or other maintenance is permitted on EPA and CARB certified engines. This includes any Kipor generator ever sold in North America. This drawing is for information only. Kipor will not supply any carburetor parts other than stepping motors and main jets

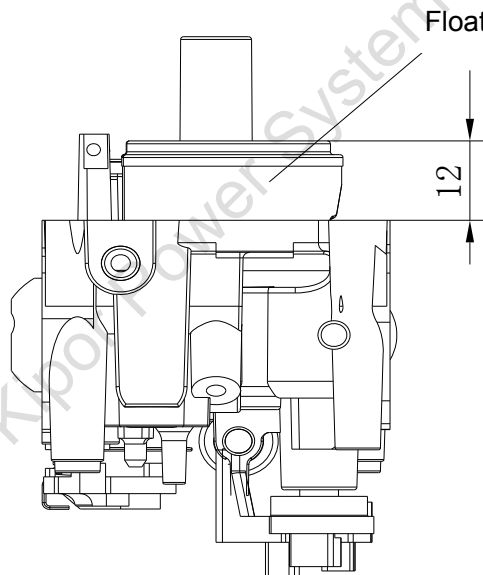
6.3 Inspection

- Float height

Place the carburetor on a level surface as shown; measure the float height between the float and carburetor block.

Height	12mm
--------	------

Replace the carburetor if the float height is not correct.

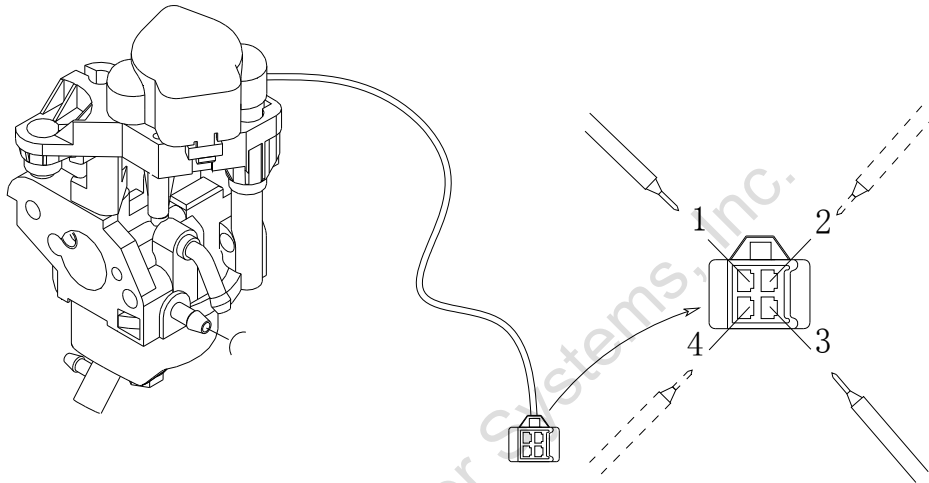


● Stepping motor

Measure the resistance of stepping motor connection to the inverter.

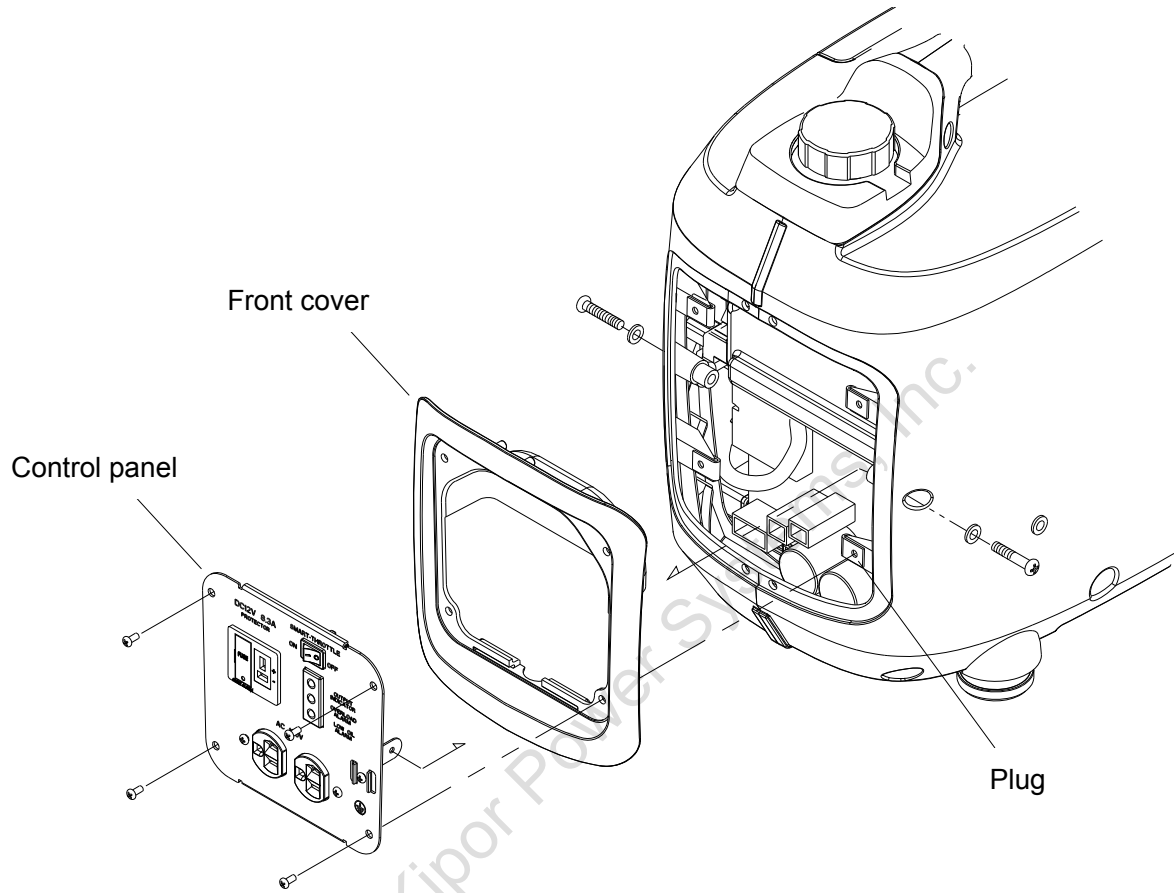
Standard resistance	Between 1 and 3: 45~55Ω
	Between 2 and 4: 45~55Ω

Replace the stepping motor if the resistance exceeds the above range.

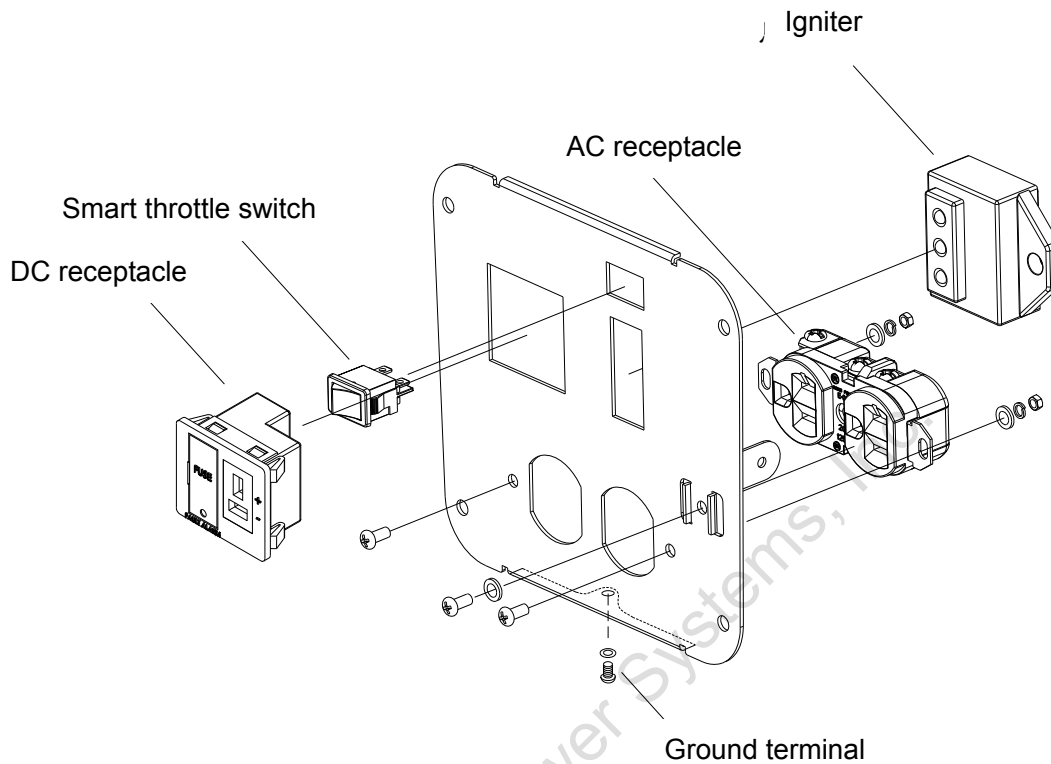


7. Control panel

7.1 Disassembly/Installation



●IG2000\IG2000S



7.2 Inspection

a. Control panel

● **AC receptacle**

Check the electrode contact disk inside receptacle, if it is burnt or the discolored, replace it.

● **DC receptacle**

Connect both terminals of the receptacle with a jumper wire to short. There must be continuity between the lead wire terminals with the circuit protector ON. Replace the DC receptacle if there is no continuity.

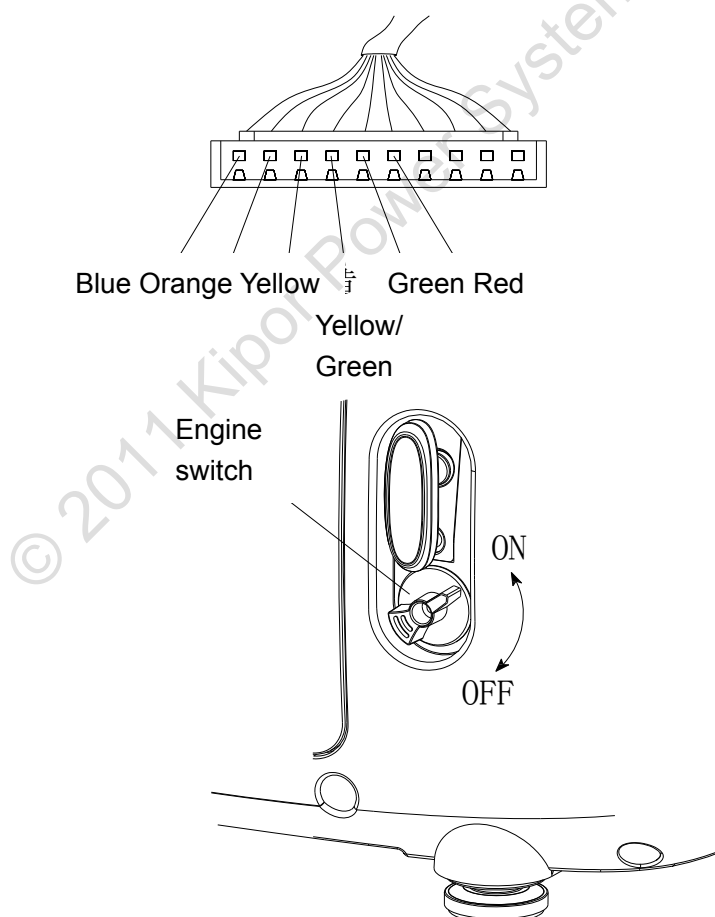
● **Smart switch**

There should be continuity with the switch ON, and no continuity with the switch OFF.

● **Igniter (Ignition module)**

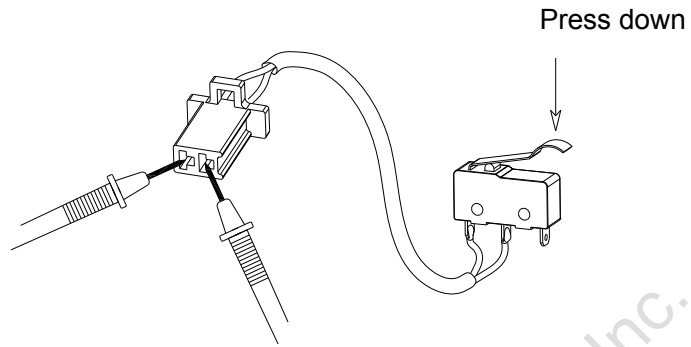
Pull off the 10P receptacle from the module. Measure the resistance by connecting one test lead with the metal outer case of the engine and the other lead with the 10P connector.

Color	Circuit unit	Standard resistance
Blue	Primary coil of the ignition coil	0.8-1.3Ω
Orange	Oil level alarm	There should be no continuity with correct oil level
Yellow	Trigger coil	80-130Ω
Yellow/Green	Ground wire	Continuity
Green	Igniter unit power coil winding	0.26-0.28Ω
Red	Engine switch	There should be no continuity with the switch ON, continuity with the switch OFF



● **Engine switch**

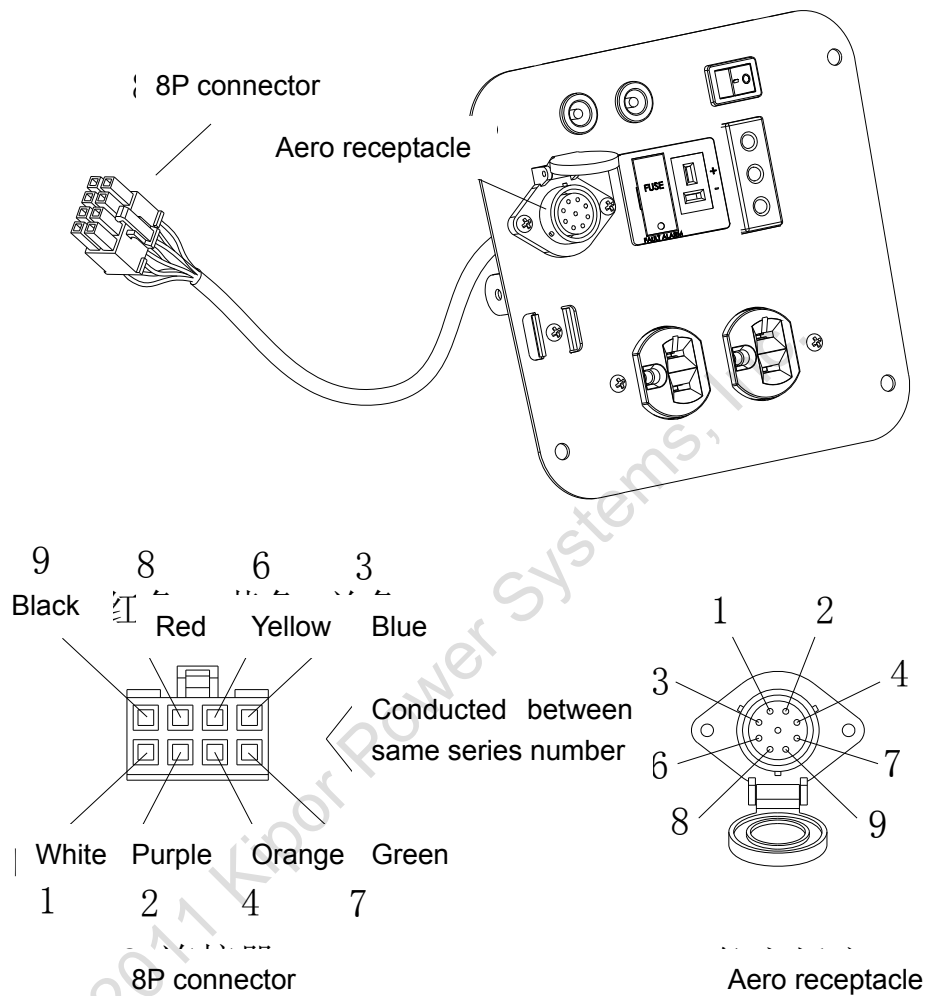
Check the continuity of connector, there should be continuity when depressing the micro switch.



© 2017 Kipor Power Systems, Inc.

● **Aero receptacle (parallel I/O communication port)**

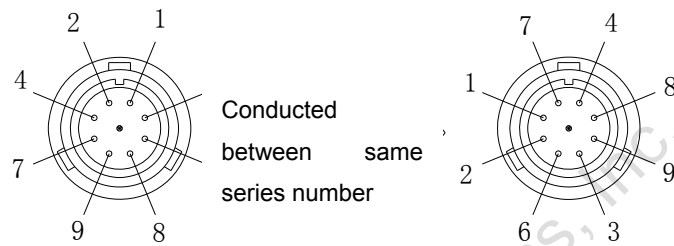
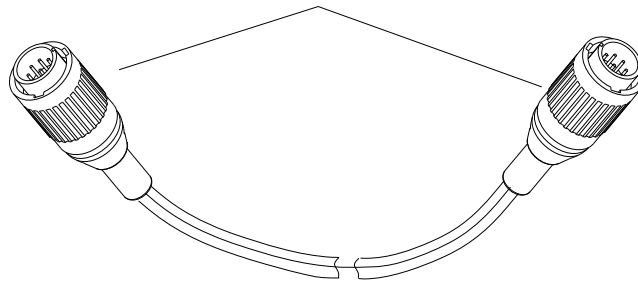
Check the continuity between connector and aero receptacle, there should be continuity between the two terminals with the same serial number.



● **Aero plug (Parallel I/O communication data wire)**

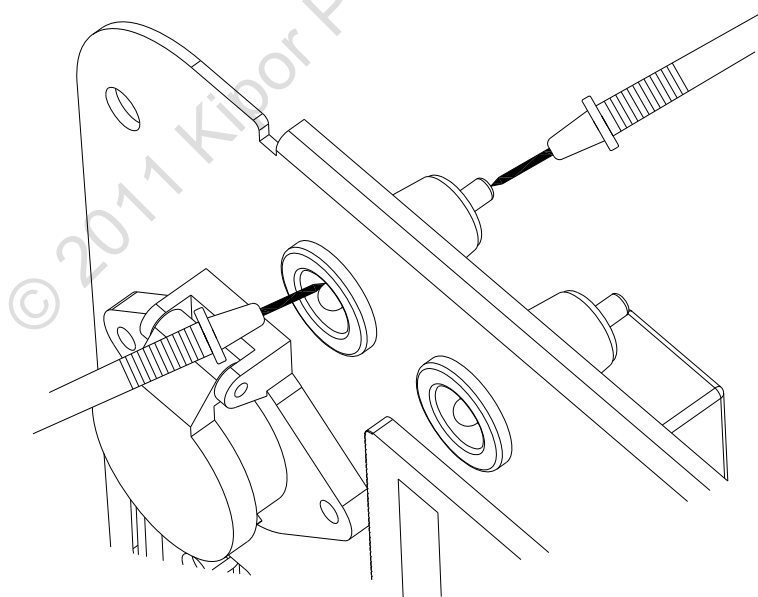
Check the continuity of aero plugs, there should be continuity between two plugs with the same serial numbers.

Parallel connection
communication interface
(aero receptacle)



● **Parallel output receptacle**

Check the continuity between the two terminals of parallel output receptacle.

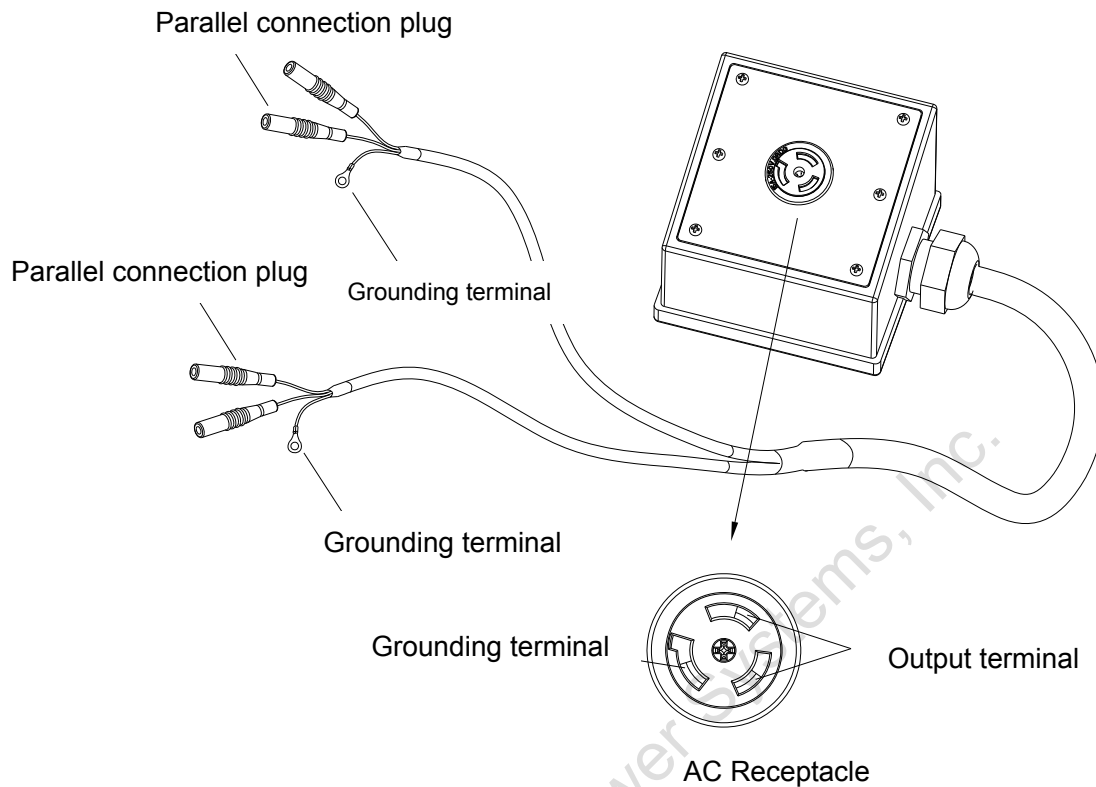


● **Parallel output cable**

1. Check the AC receptacle output terminal, there should be no continuity between two terminals.
2. Connect the AC receptacle output terminal with one lead, check the parallel plug; there should

be continuity among the four plugs.

3. There should be continuity between the cable earth terminal and AC receptacle earth terminal.

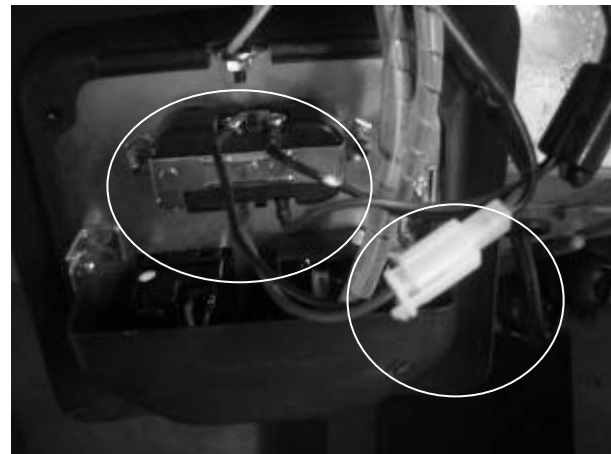


● Capacitor

Beginning with models built in December 2007 and ending in July, 2008, a capacitor was added to reduce electro-mechanical interference and eliminate problems with some digital clocks not displaying the time properly. This was an interim solution and all later models had an inverter module modification to eliminate the capacitor.

1. LOCATION

The capacitor was placed in the output lines between the inverter and the AC receptacles. It is physically located inside the service door to the right of the oil dipstick. It is mounted on a bracket that bolts to the base plate. The base plate was modified to accept the new bracket. There is a 2p connection behind the receptacles.



2. TROUBLESHOOTING AND TESTING

Check the capacitor when troubleshooting issues regarding digital clock displays. Should the capacitor fail, there will be no impairment of any other generator function or output. As the capacitor is connected directly to the output power supply, it has the potential to store a high voltage charge and should be discharged prior to testing. Unplug the 2p connector and short circuit the capacitor by placing the end of an insulated screwdriver across the two terminals.



WARNING

Do not touch the exposed terminals nor attempt to take any measurements before discharging the capacitor.

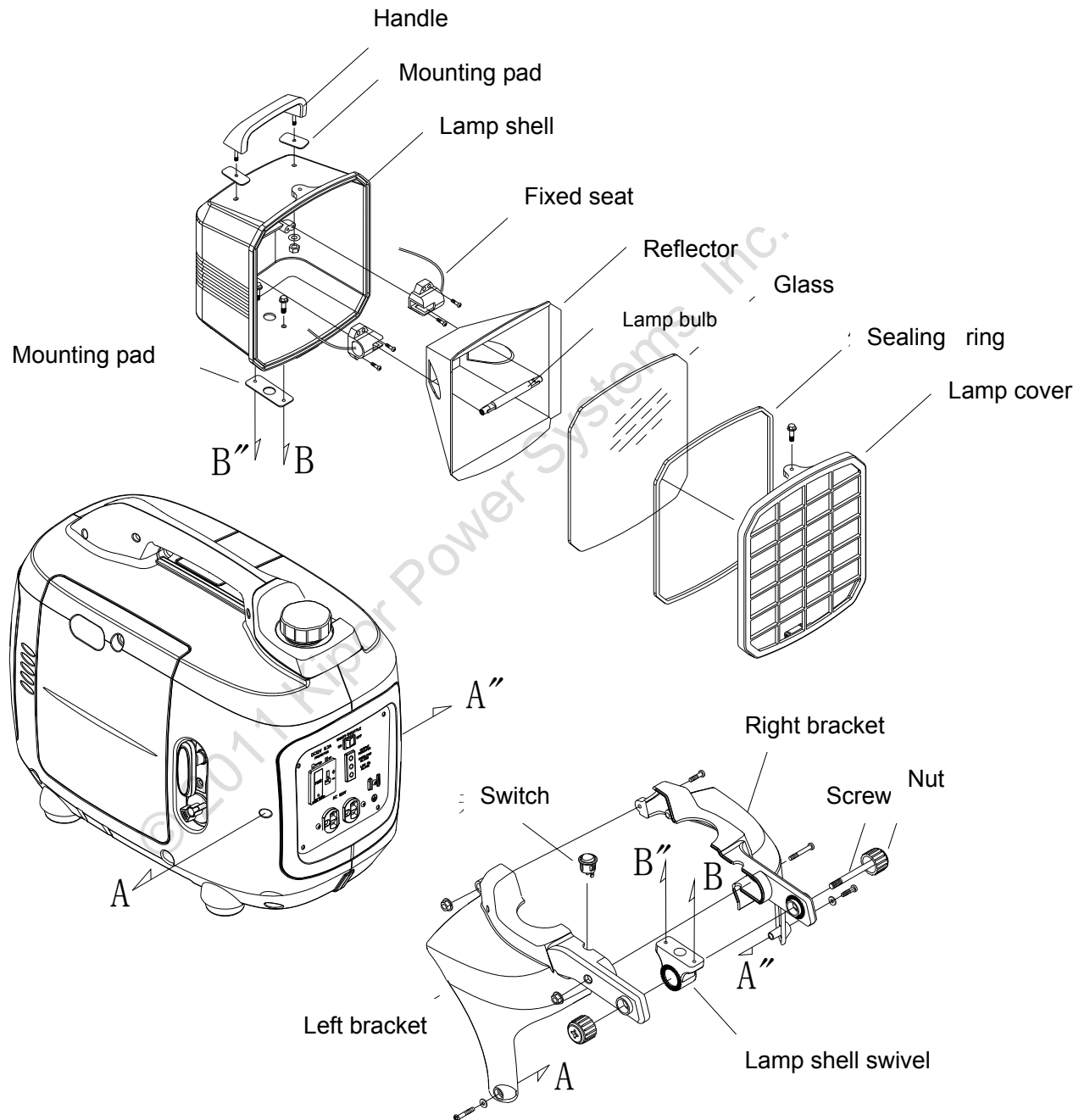
Use the capacitance checking mode of a multimeter. Replace the capacitor if any reading is outside the standard value of $10\mu\text{F} \pm 5\%$.



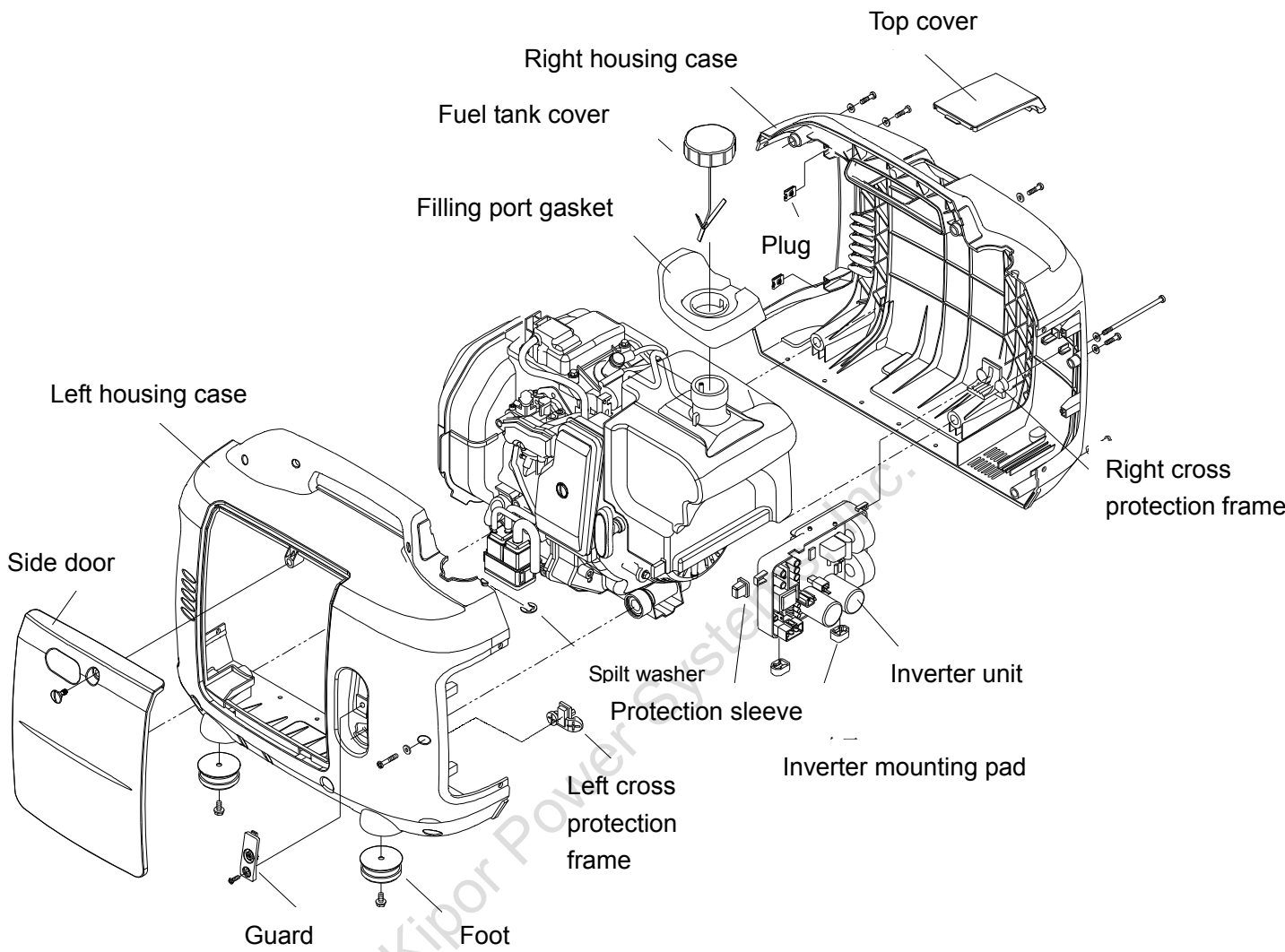
8. Light Kit/ Housing / Fuel tank/ Fan housing/ Inverter unit

8.1 Disassembly and installation of accessory lamp

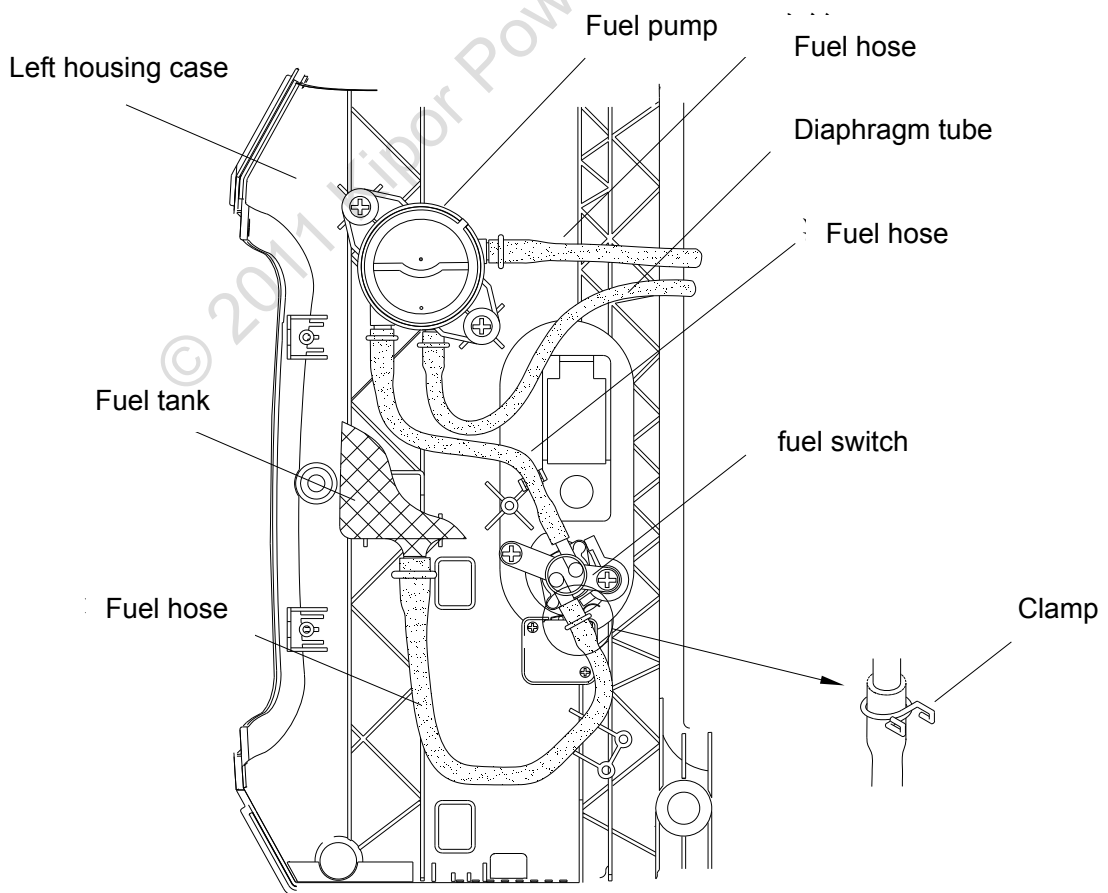
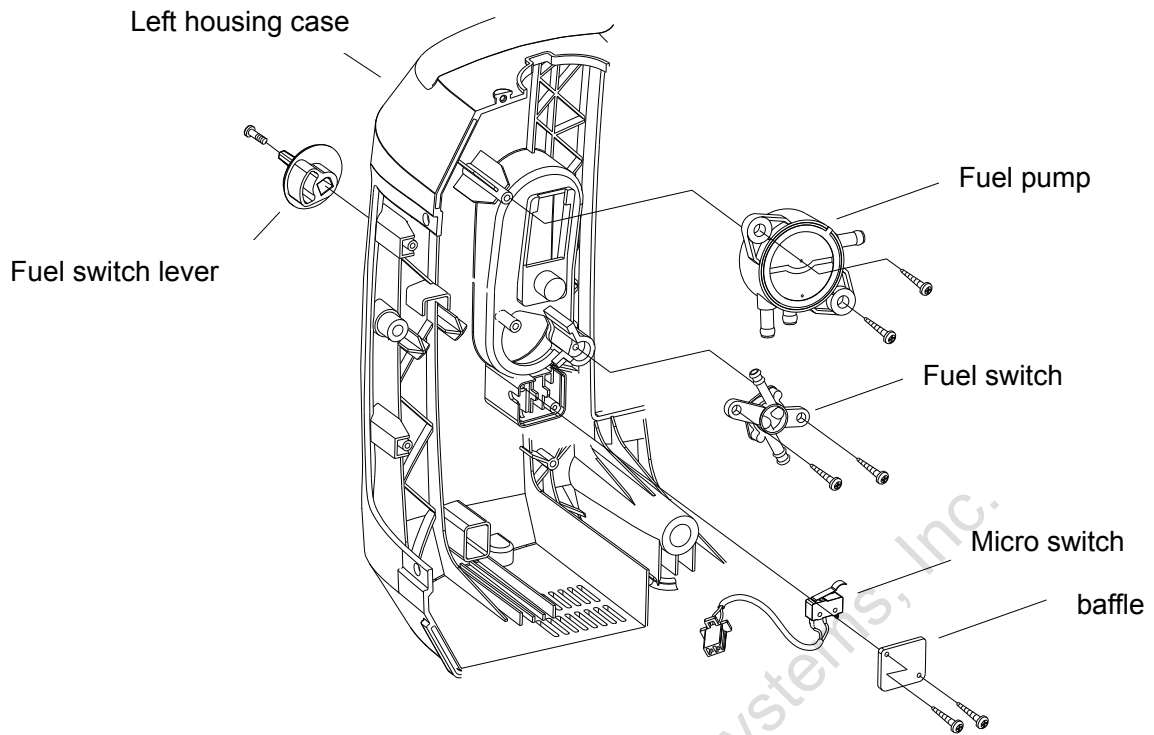
Caution: Stop the engine and let the lamp cool completely before disassembly.



8.2 Disassembly and installation of housing case



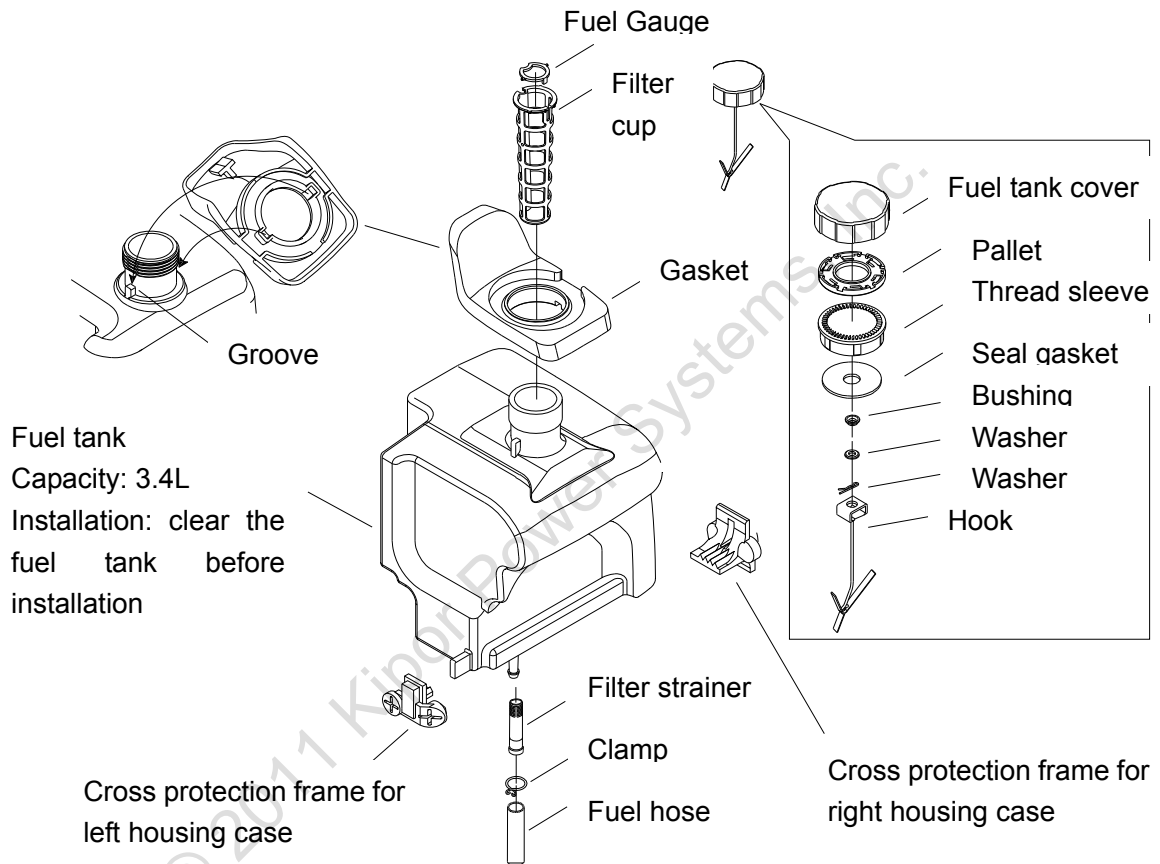
● Left housing case



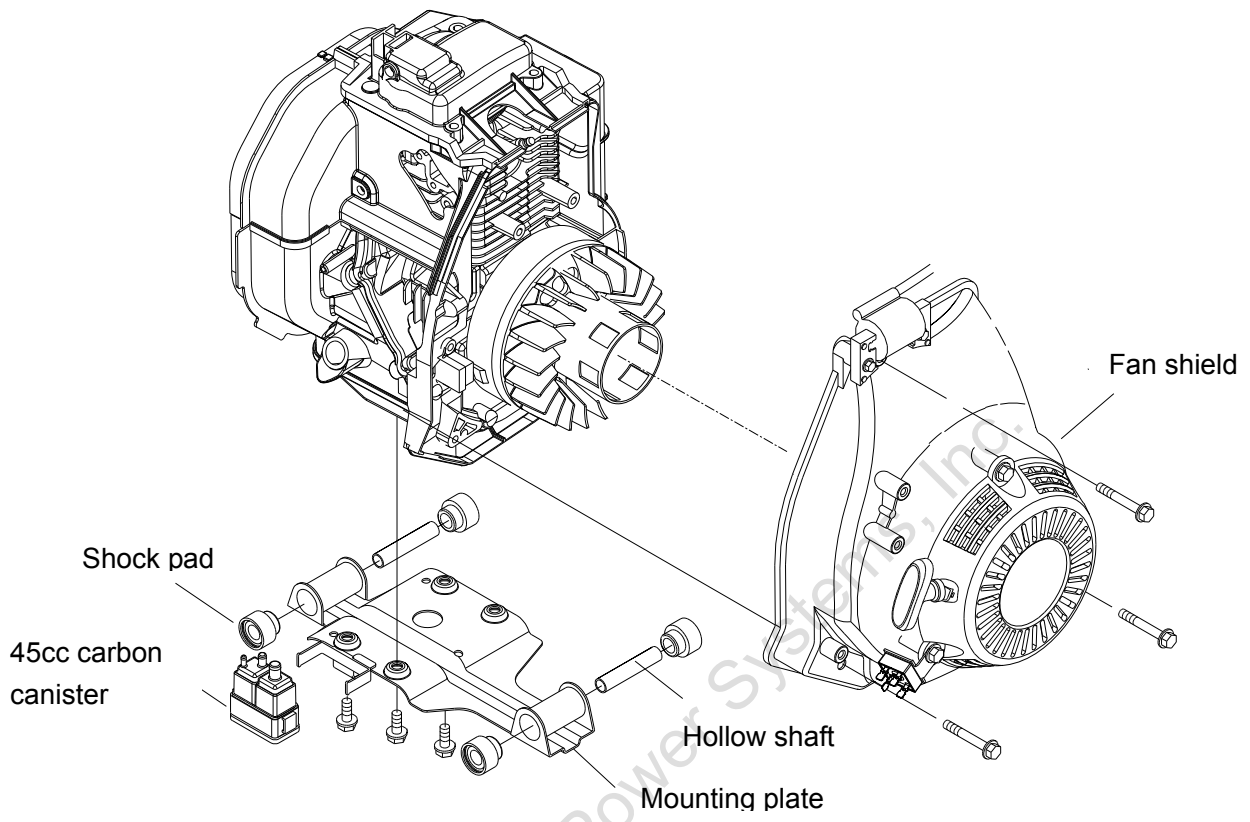
8.3 Fuel tank- CARB

Caution

Gasoline is highly flammable and explosive. You can be burned or seriously injured when handling fuel. Keep heat, sparks, and flame away. Wipe up spills immediately. Loosen the drain screw to drain the carburetor thoroughly before removal.

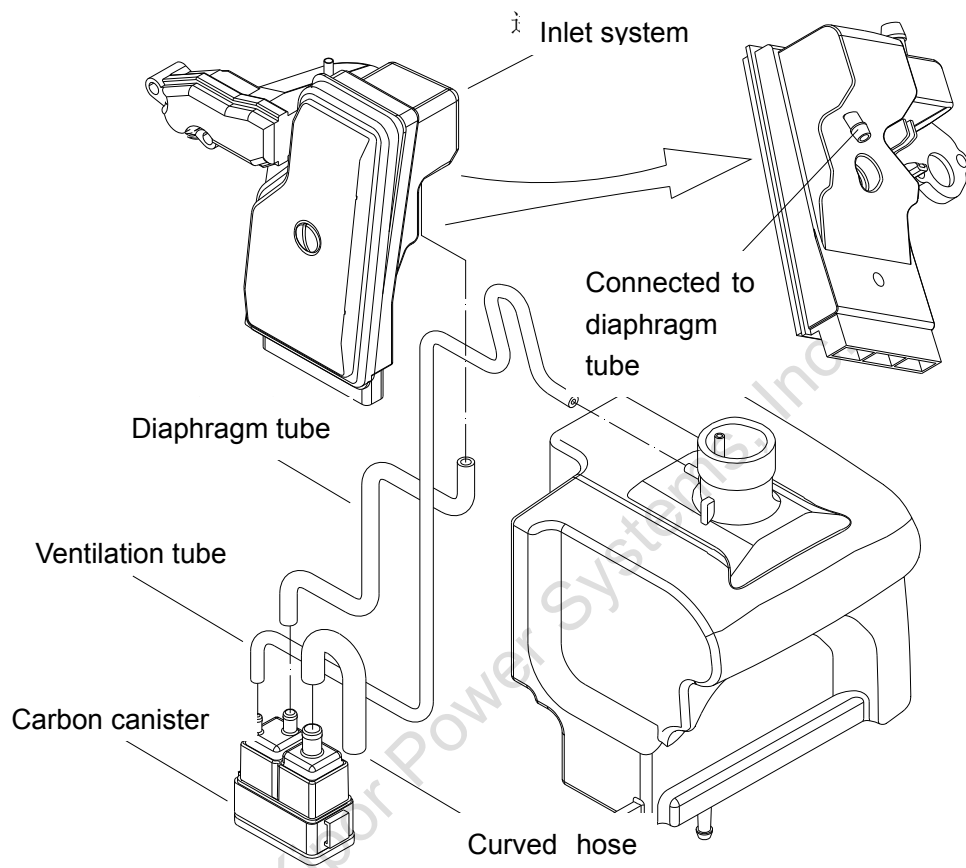


8.4 Fan shield/Engine mounting plate

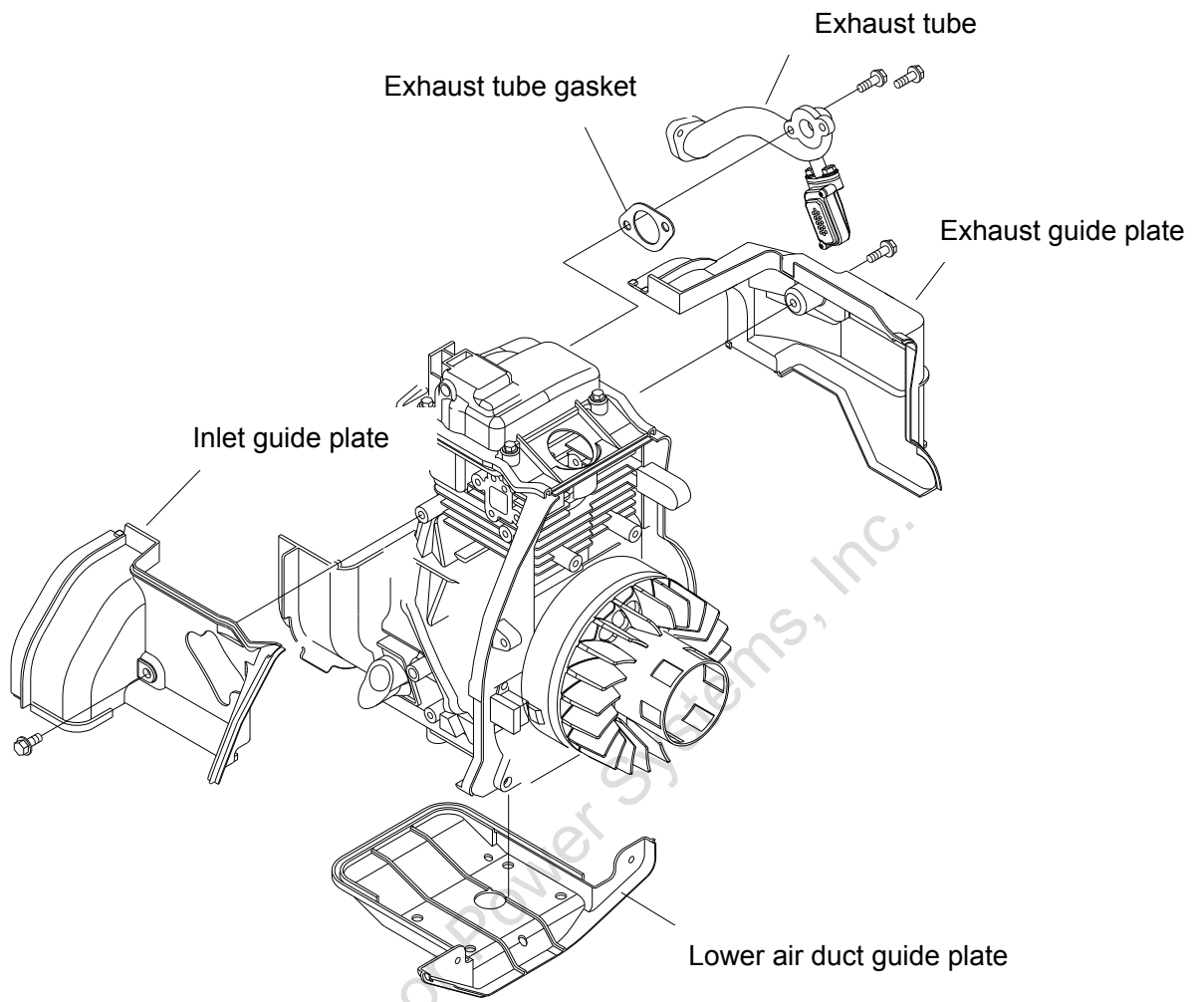


© 2017 Kipor Power Systems, Inc.

8.5 Evaporative control system

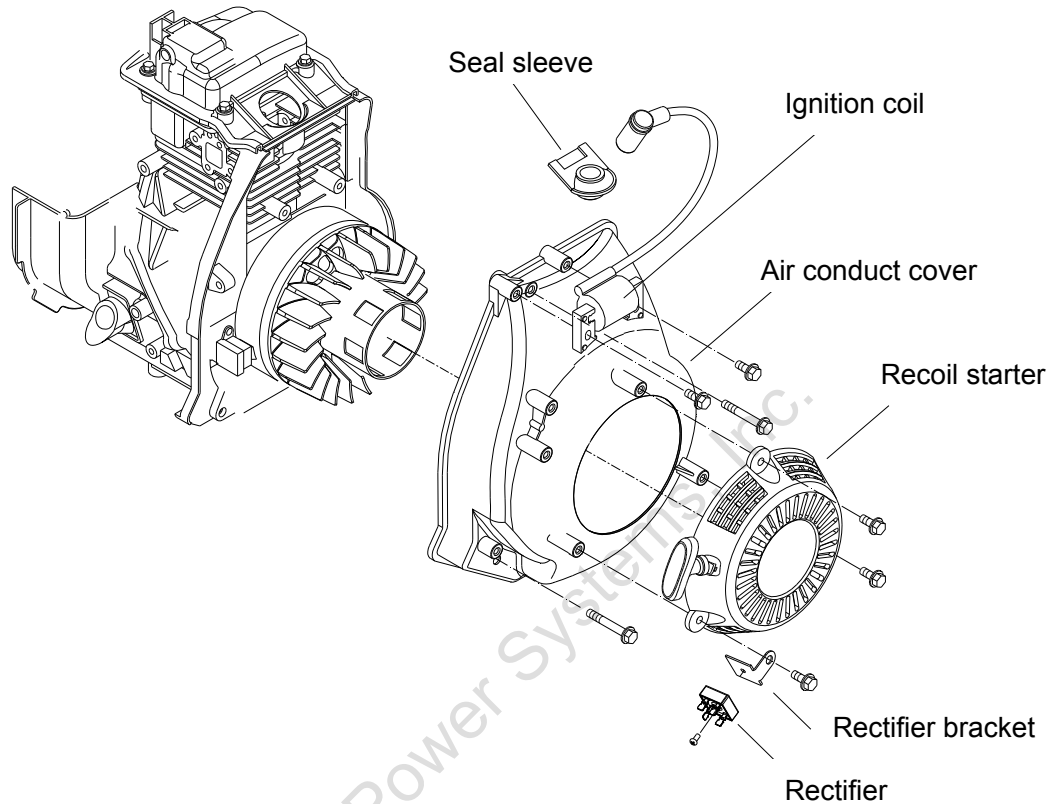


8.6 Guide Plate



9. Recoil starter/ Air conduct cover/ Ignition coil

9.1 Disassembly/Reassembly



Starter rope

Assembly: check the starter rope for damage before installation

Handle cover

Handle

Starter shell

Starter spring

Disassembly: put on the gloves when disassembly

Starter reel

Assembly: install the starter to the reel first, and then install the reel to the starter

Friction spring

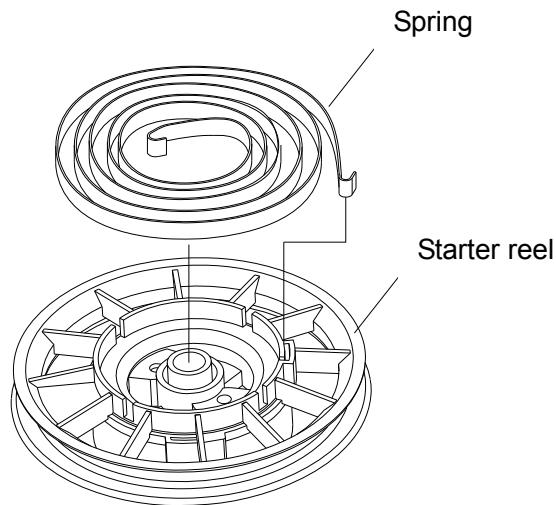
Conduct plate

Pallet

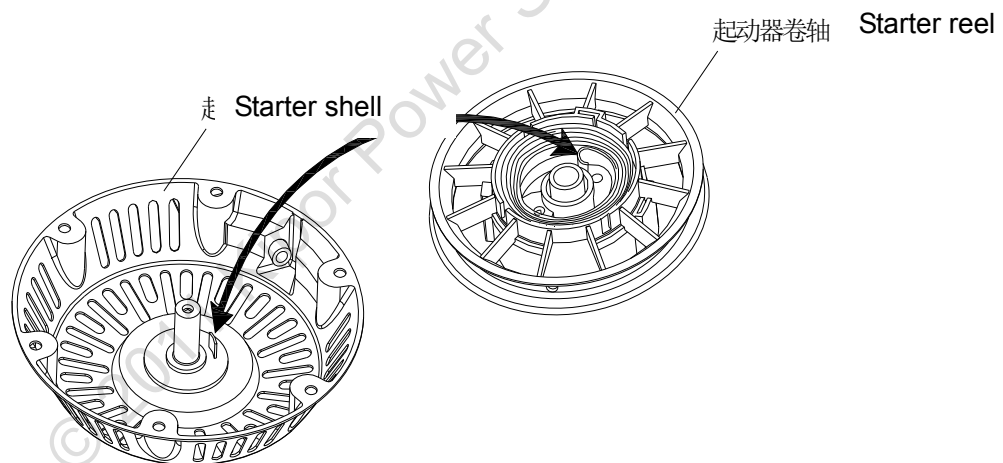
Pallet spring

9.2 Installation of recoil starter

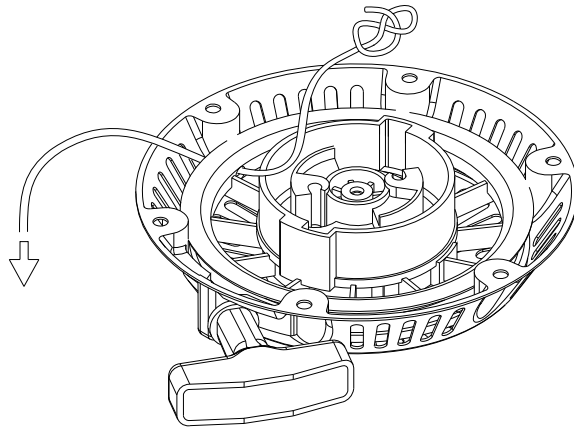
(1) Set the spring into the starter reel, and hang the spring outer hook inside the reel groove.



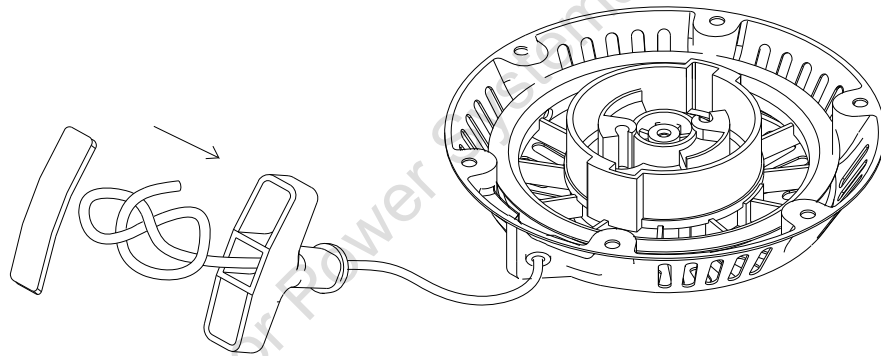
(2) Smear lubrication grease on the starter outer shell claw, install the starter reel. Revolve the reel anticlockwise to hang the spring inner hook on the starter outer shell claw.



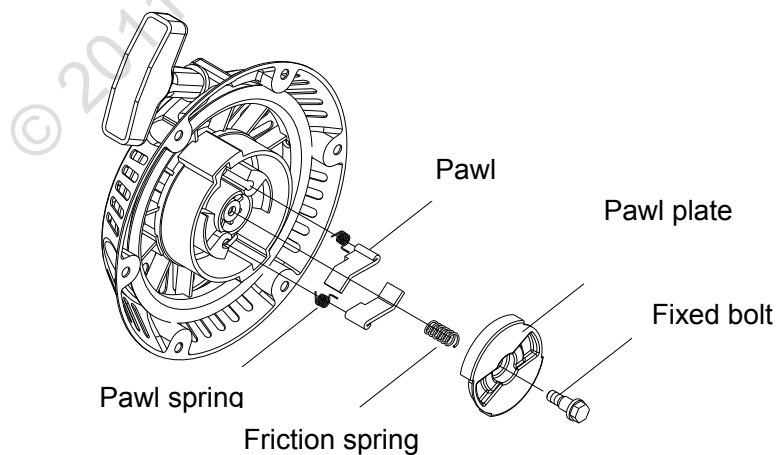
(3) Make a knot at one end of the rope, pass the other end through the reel hole. Wind the reel anticlockwise 4 turns to fix the reel.



(4) Pull out rope thrum from starter outer shell hole completely, pass it through the handle and make a knot, then turn the handle cover. Loosen the reel to untension the spring, taking care not to allow the reel to pop out.



(5) Install the starter pawl and fix it with bolts.



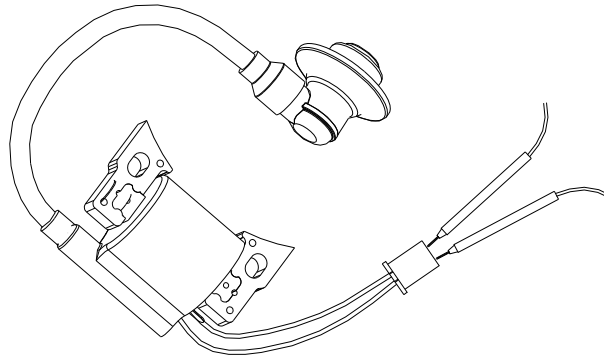
(6) Pull the starter for several times, and check the ratchet wheel returning.

9.3 Inspection

(1) Ignition coil

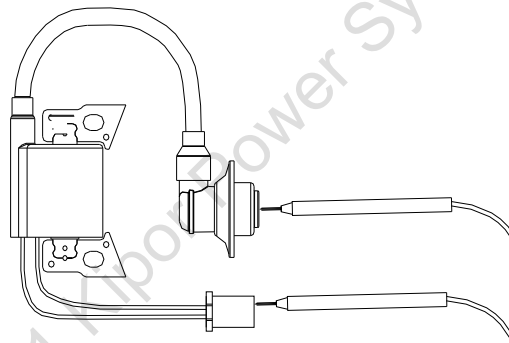
- Attach the two leads of meter to the primary coil plug of ignition coil and measure the primary resistance of the ignition coil.

Primary resistance	0.8—1.3Ω
--------------------	----------



- Attach one lead of the meter to each terminal of primary coil plugs of ignition coil and the other lead to the spark plug cap, then measure the secondary resistance of the ignition coil.

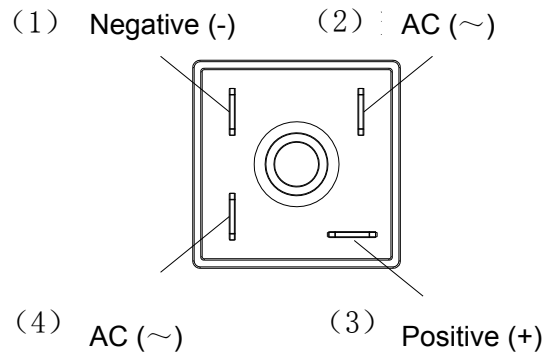
Secondary resistance	15—21kΩ
----------------------	---------



(2) Rectifier

Measure the on or off (positive pressure fall) of rectifier with control potentiometer (▶+·)), the measurement should agree with the standard as shown in the chart.

Positive Negative	1	2	3	4
1		OFF	OFF	OFF
2	ON		OFF	OFF
3	ON	ON		ON
4	ON	OFF	OFF	

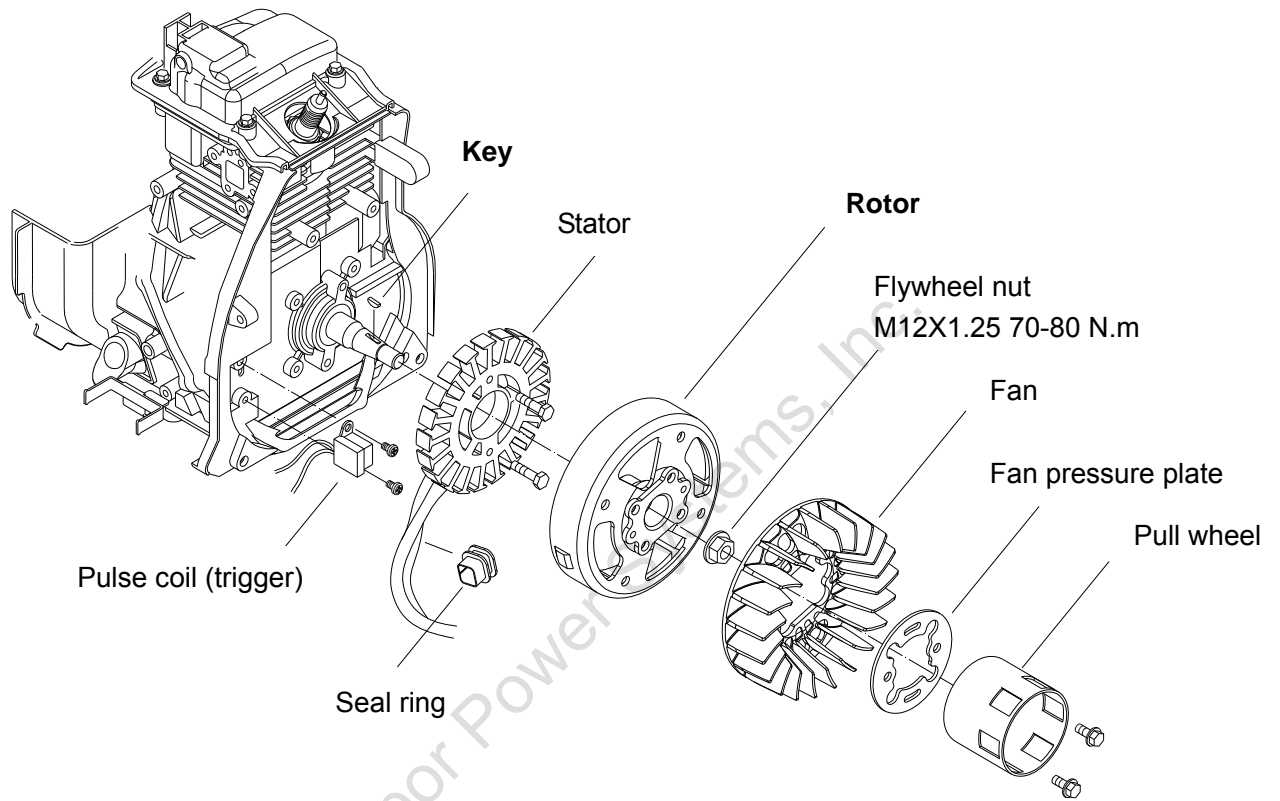


© 2017 Kipor Power Systems, Inc.

10. Generator/ Trigger

10.1 Alternator

Disassembly/Reassembly



10.2 Inspection

(1) Ignition winding

Measure the resistance between the green terminal and yellow/green terminal.

Resistance	0.40-0.55Ω
------------	------------

(2) Outer charging winding

Measure the resistance between the two blue terminals.

Resistance	0.12-0.15Ω
------------	------------

(3) Sub winding

Measure the resistance between the two sub winding terminals.

Resistance	White-White
	0.15~0.30

(4) Main winding

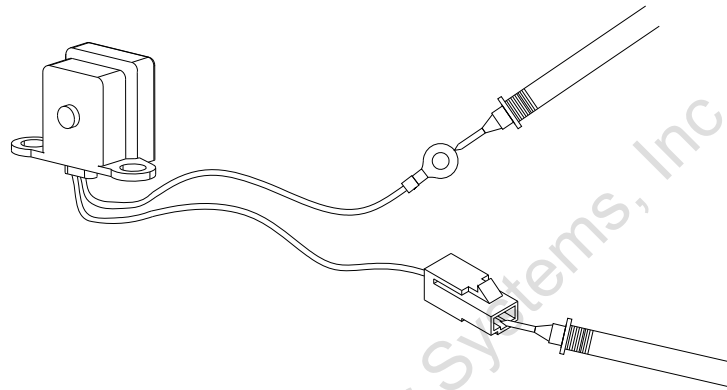
Measure the resistance among the main winding terminals.

Resistance	Black-Black-Black
	1.35~1.75

(5) Trigger

Attach the two testers in the trigger, and measure its resistance.

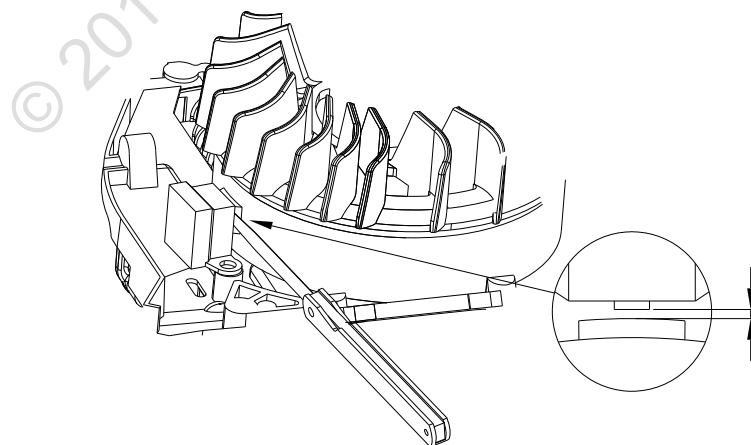
Trigger resistance	80-130Ω
--------------------	---------



10.3 Adjustment

Adjust the clearance between trigger and the projection part of rotor.

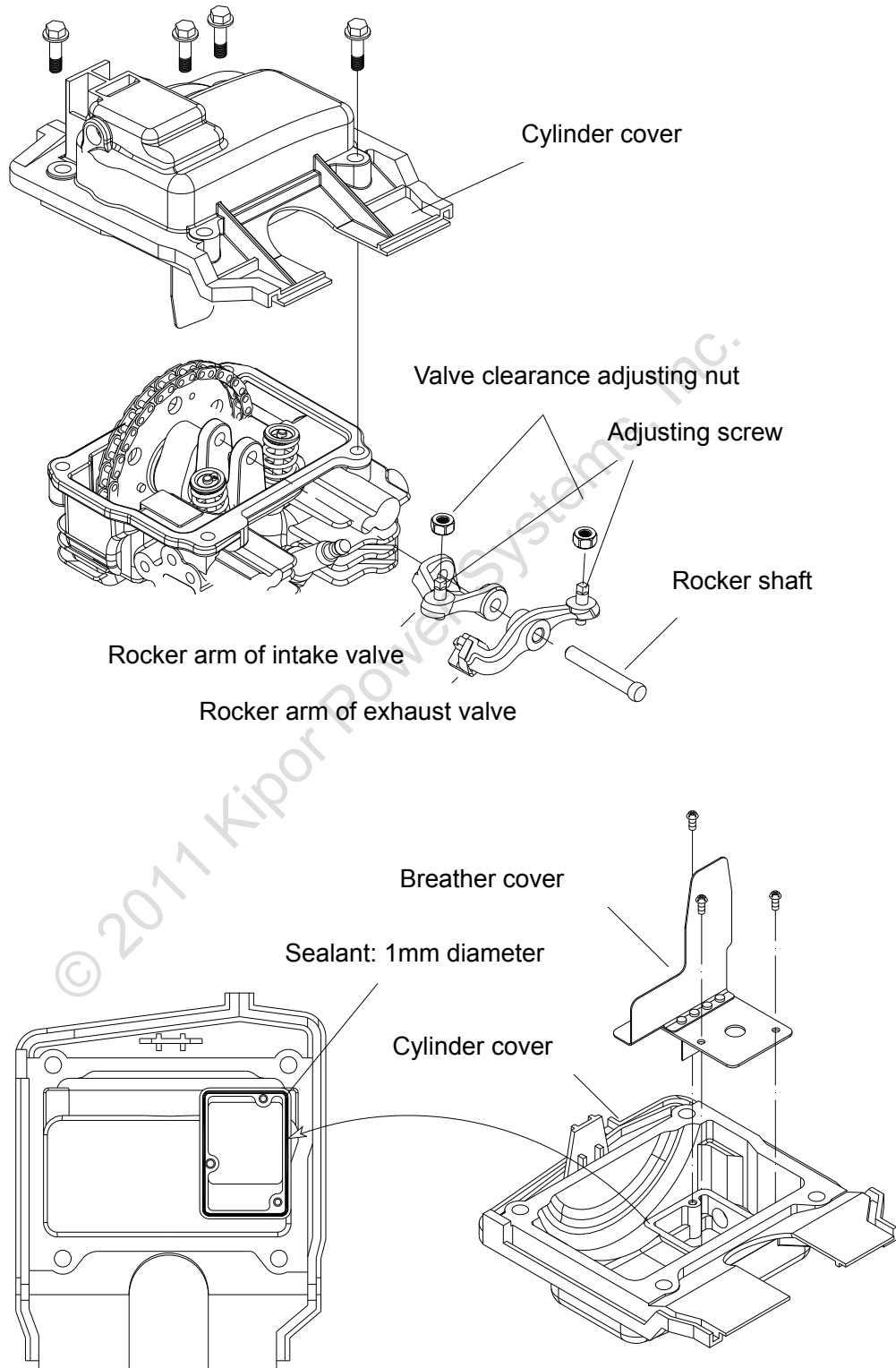
Trigger clearance	0.50-0.75mm
-------------------	-------------



Insert a feeler gauge between the trigger and the projection part of the rotor; loosen the trigger fixed plate bolt to adjust the clearance slightly. Never move the plastic part of trigger.

11. Cylinder cover/ Rocker arm

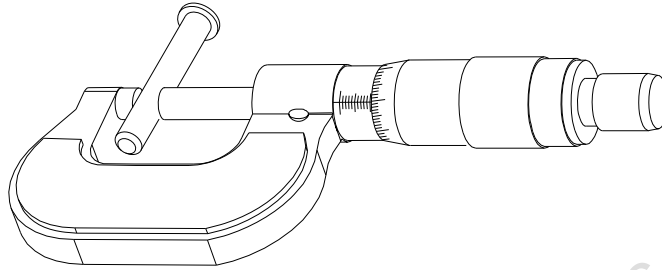
11.1 Disassembly/ Reassembly



11.2 Inspection

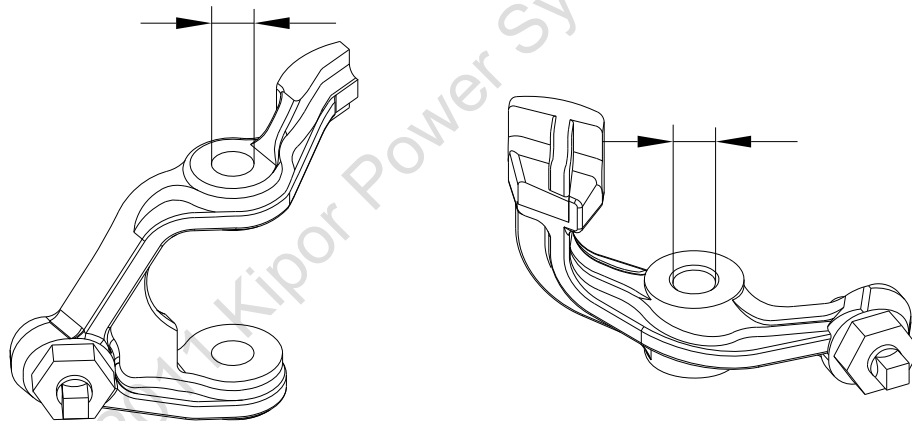
● Rocker arm outer diameter

Standard(mm)	Service limit(mm)
5.972-5.980	5.965



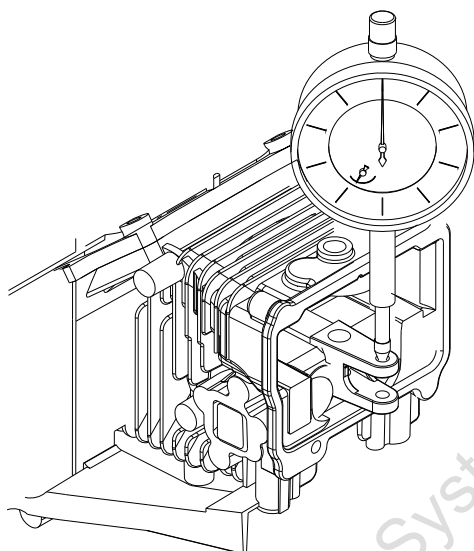
● Rocker arm inner diameter of inlet/exhaust valve

Standard(mm)	Service limit(mm)
6.000-6.012	6.037



● Inner diameter of rocker arm bearing

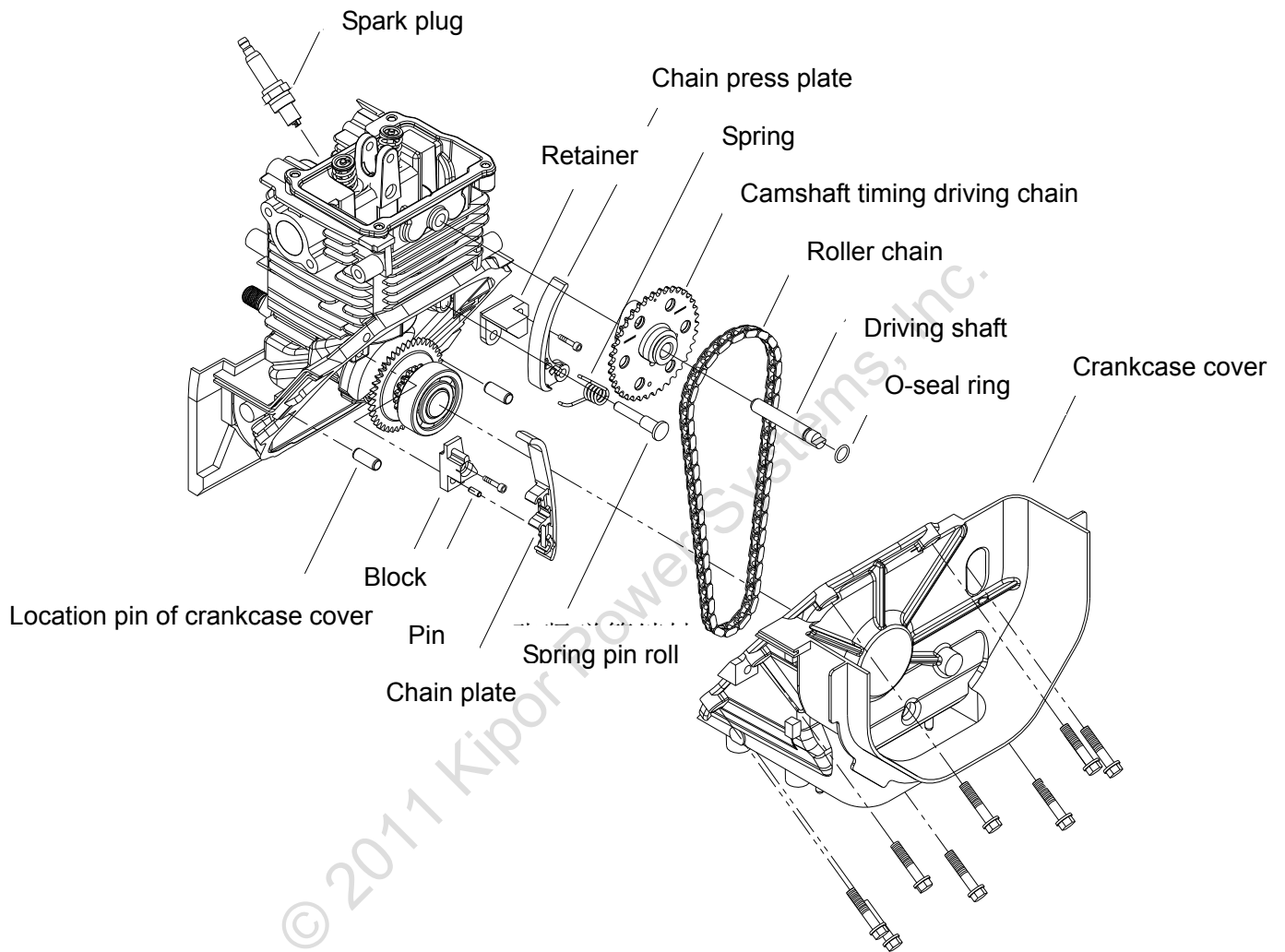
Standard(mm)	Service limit(mm)
6.000-6.012	6.037

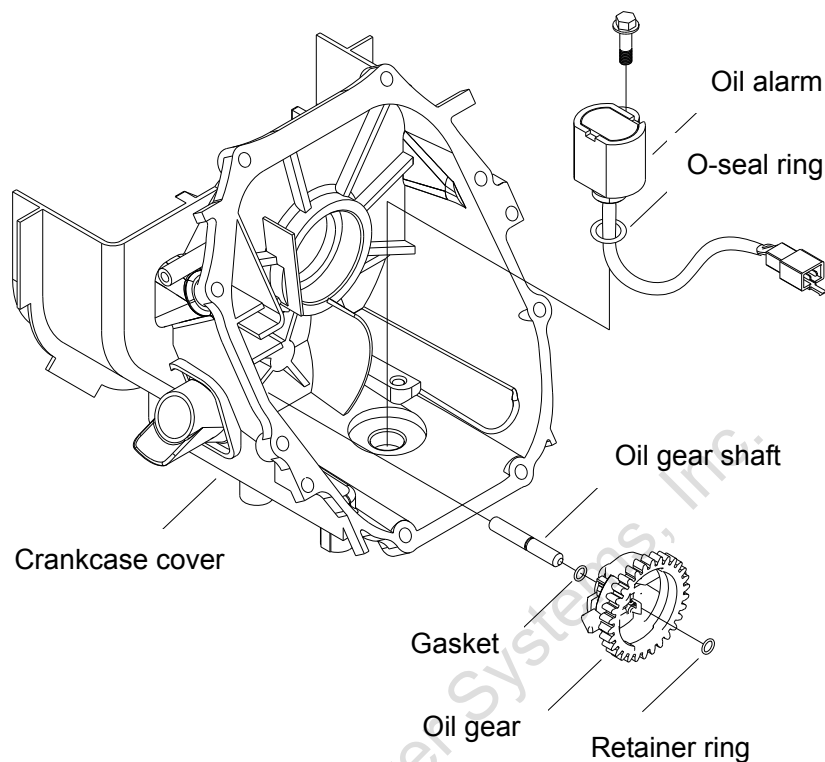


© 2017 Kipor Power Systems, Inc.

12. Crankcase cover/ Cam timing drive chain

12.1 Disassembly





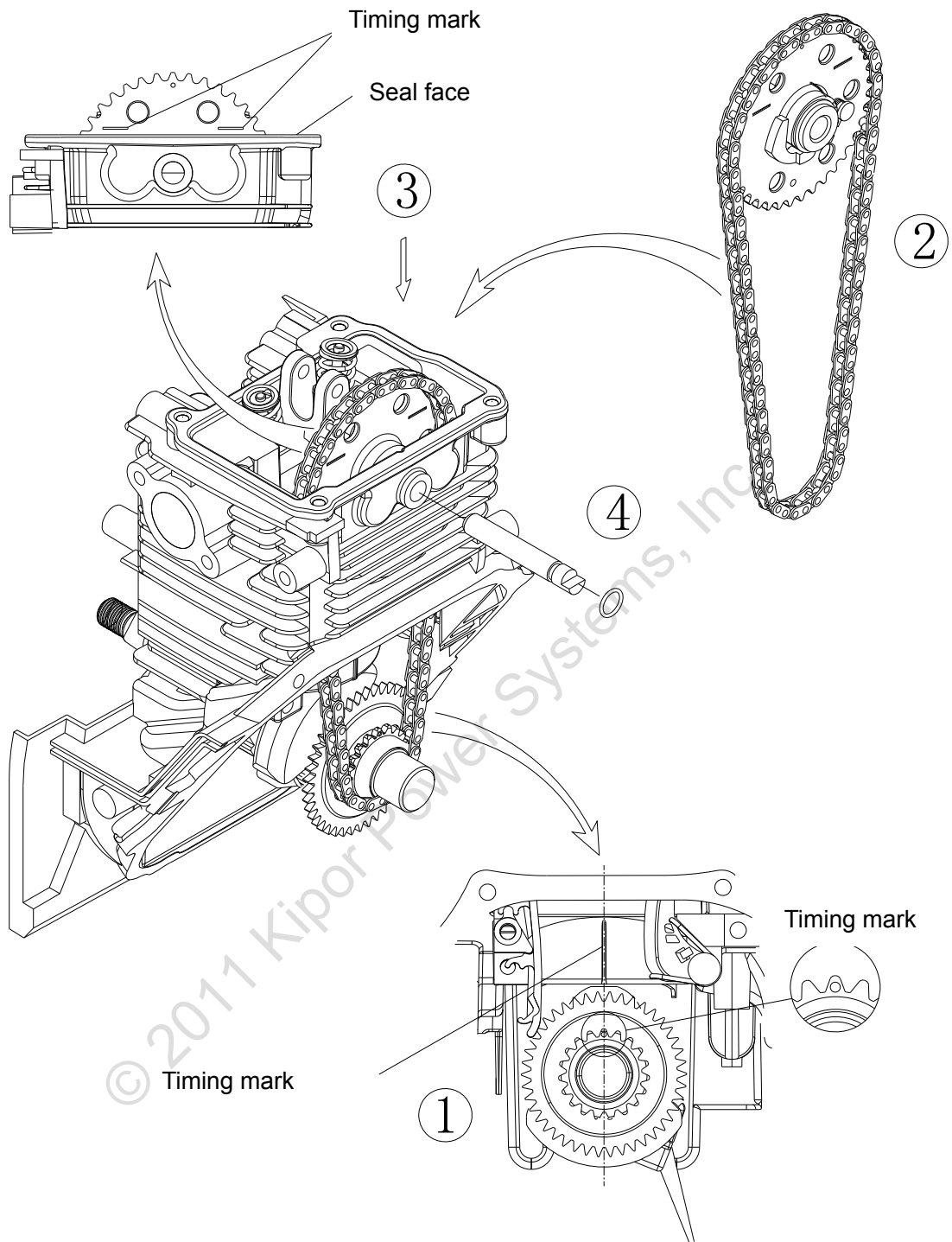
12.3 Reassembly of roller chain

1. Install the crankshaft, piston and connection rod assembly on the cylinder block.
2. Revolve the crankshaft; align the timing mark of crankshaft timing shaft with the timing mark of crankcase. (Step 1)
3. Install the roller chain on the cam timing drive chain, level the timing mark upward. (Step 2)
4. Put the roller chain into the crankcase, set the end of roller chain to the crankshaft timing gear. (Step 3) straighten the chain to align the timing mark of cam timing drive chain with cylinder head sealing face.

Caution

Don't remove the timing mark of crankshaft timing gear during installation. If the timing mark of cam timing drive chain is not parallel with cylinder head sealing face, adjust the meshing of chain and cam.

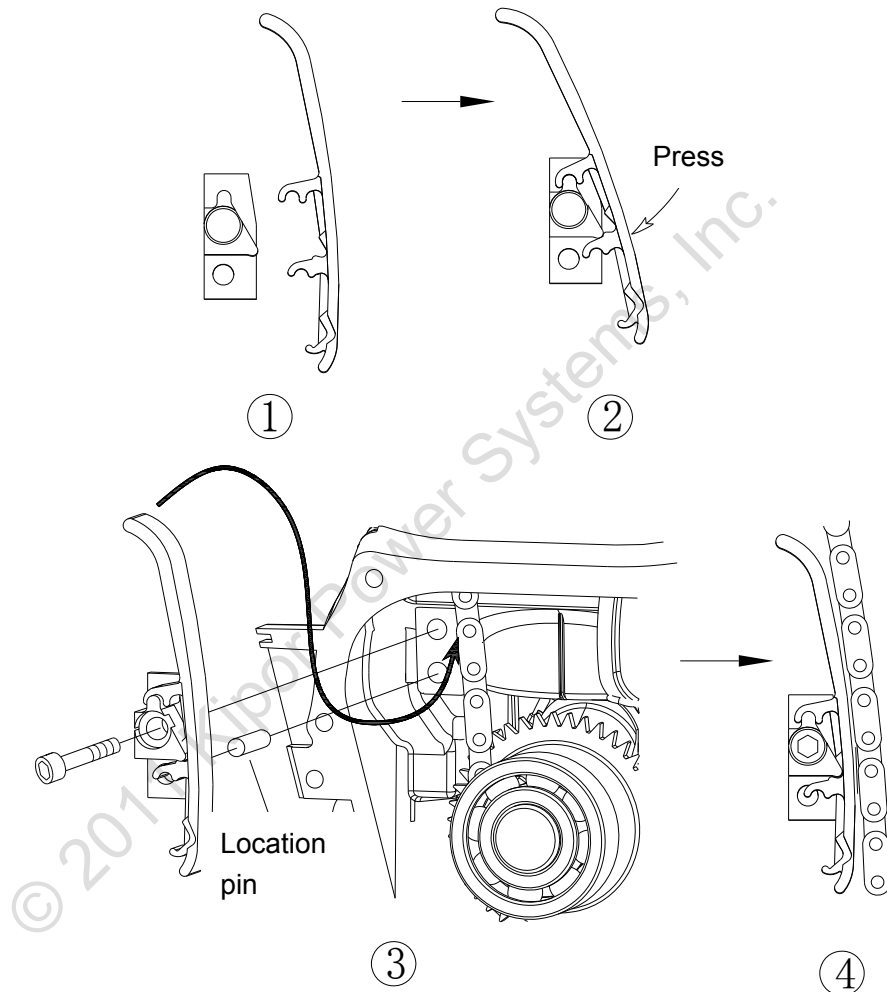
5. Install the O-seal ring into the drive shaft, and then assemble the drive shaft. (Step 4) Pay attention that the opening of drive shaft should upward.
6. Install chain pressure plate. (Step 5)



12.4 Assembly of chain support plate/pressure plate

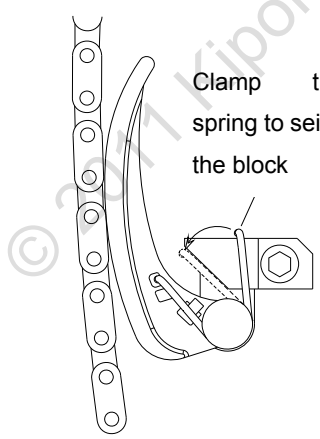
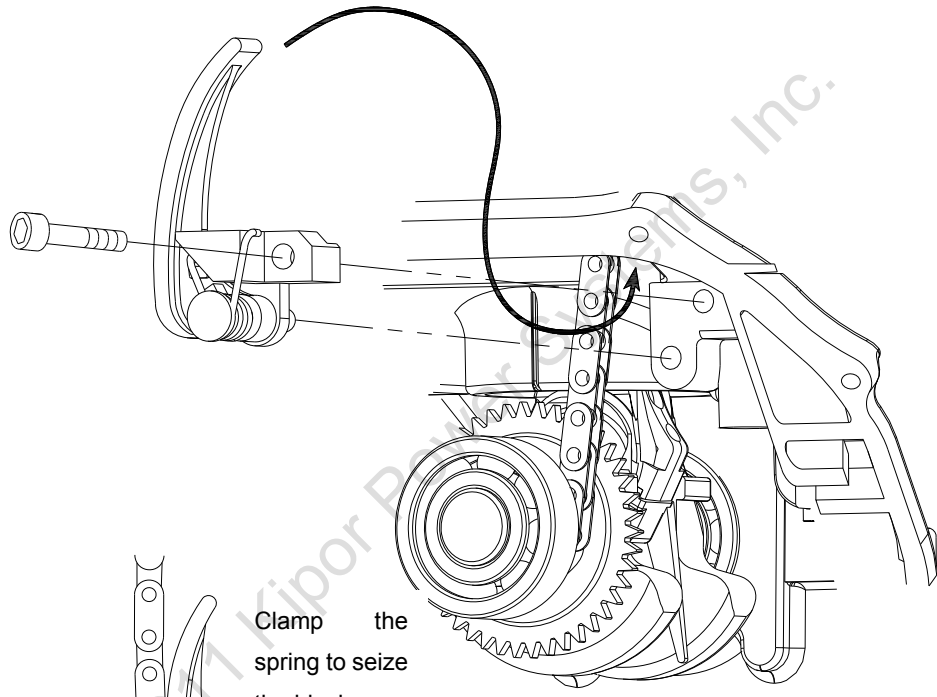
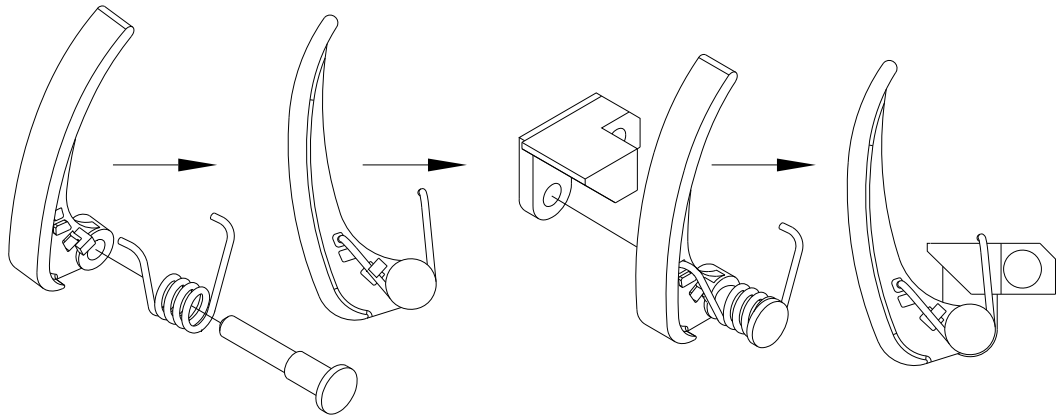
● Chain support plate

1. Put the upper groove of chain support plate into block; press the other end to seize the support plate fully.
2. Insert the location pin into cylinder block location hole and align them, set the support plate and clip block into cylinder block. Adjust the clip block location to align the clip bolt with cylinder block bolt.
3. Install inner hexagonal bolt and tighten hard.



● Chain pressure plate

1. Install the spring pin shaft, spring and chain pressure plate as the picture shows.
2. Insert the spring into block location hole, set the chain pressure plate into cylinder block and spring into location hole. Pay attention that the spring pin should be inserted as far as location.
3. Adjust the block location to align the block bolt hole with cylinder block bolt hole.
4. Install the inner hexagonal bolt and tighten it.
5. Hold the spring free end to seize the block (as picture shows), knock the spring pin with copper hammer.



Clamp the spring to seize the block

12.5 Assembly of crankcase cover

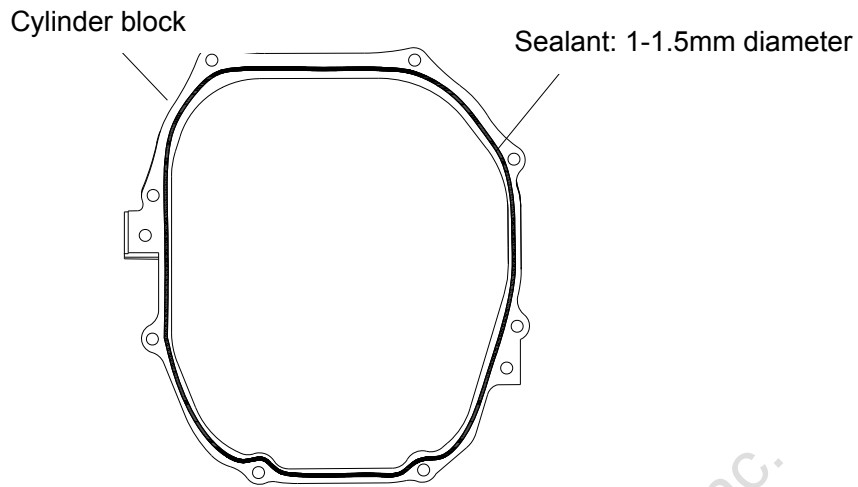
1. Clean any remaining sealant on the cylinder block and crankcase cover with cloth.
2. Apply gasket sealant on the cylinder block sealing face, as shown.
3. Reassemble the crankcase cover in the opposite direction of disassembly.

Caution

Install the crankcase cover on the cylinder block within three minutes after applying sealant. Revolve the crankshaft if necessary.

© 2017 Kipor Power Systems, Inc.

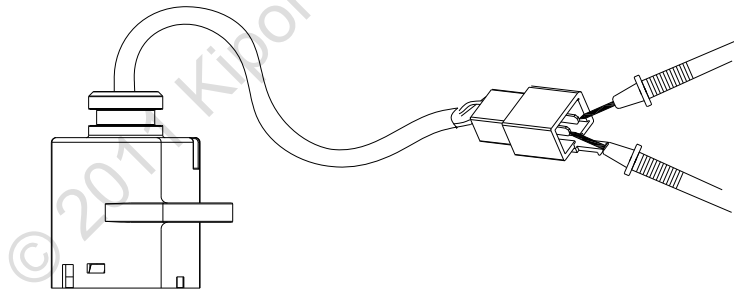
4. Tighten the crankcase cover bolt slowly to the prescribed torque.
5. Wait 20 minutes after installation before filling with oil and starting the engine



12.6 Inspection

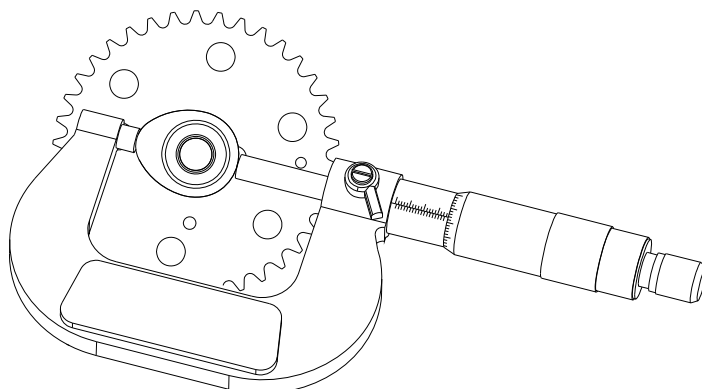
● Inspection of oil alarm

- (1) Stand the oil alarm, check the oil alarm output wire and copper earth wire, there should be no continuity.
- (2) Bottom up the oil alarm; check again, there should be continuity.
- (3) Bottom up the oil alarm completely in the oil, check the float, there should be no continuity.



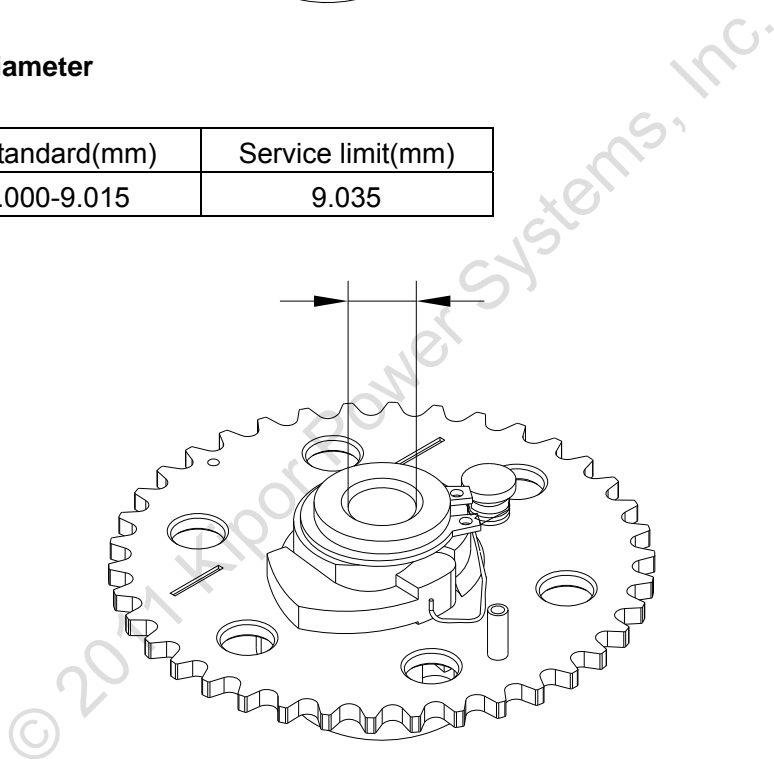
● **Cam height**

Standard(mm)	Service limit(mm)
29.026-29.086	29.15



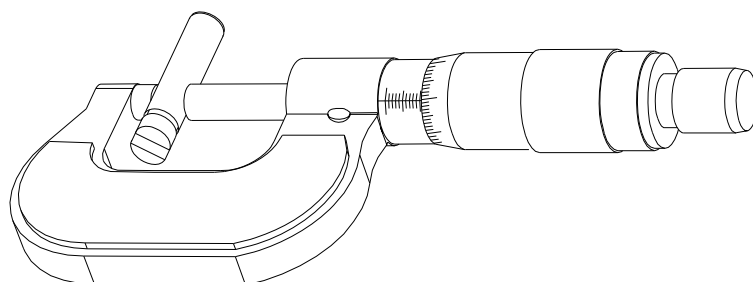
● **Cam inner diameter**

Standard(mm)	Service limit(mm)
9.000-9.015	9.035



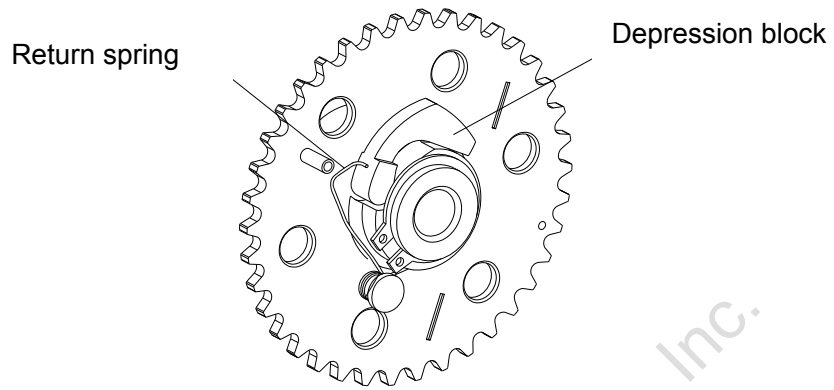
● **Camshaft outer diameter**

Standard(mm)	Service limit(mm)
8.966-8.975	8.920



● **Decompression block**

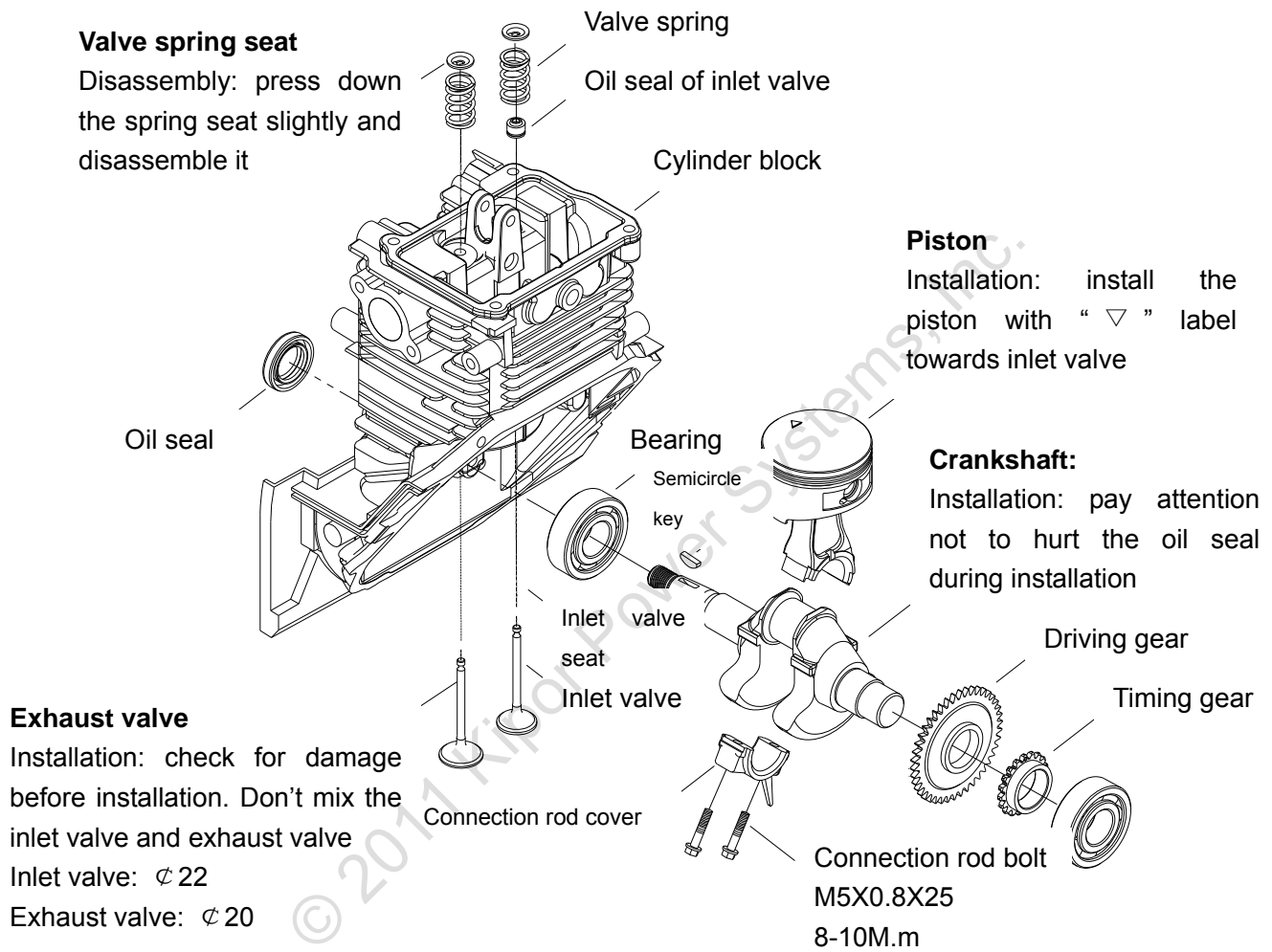
Check the return spring for damage and weary, make sure the decompression block could perform well.



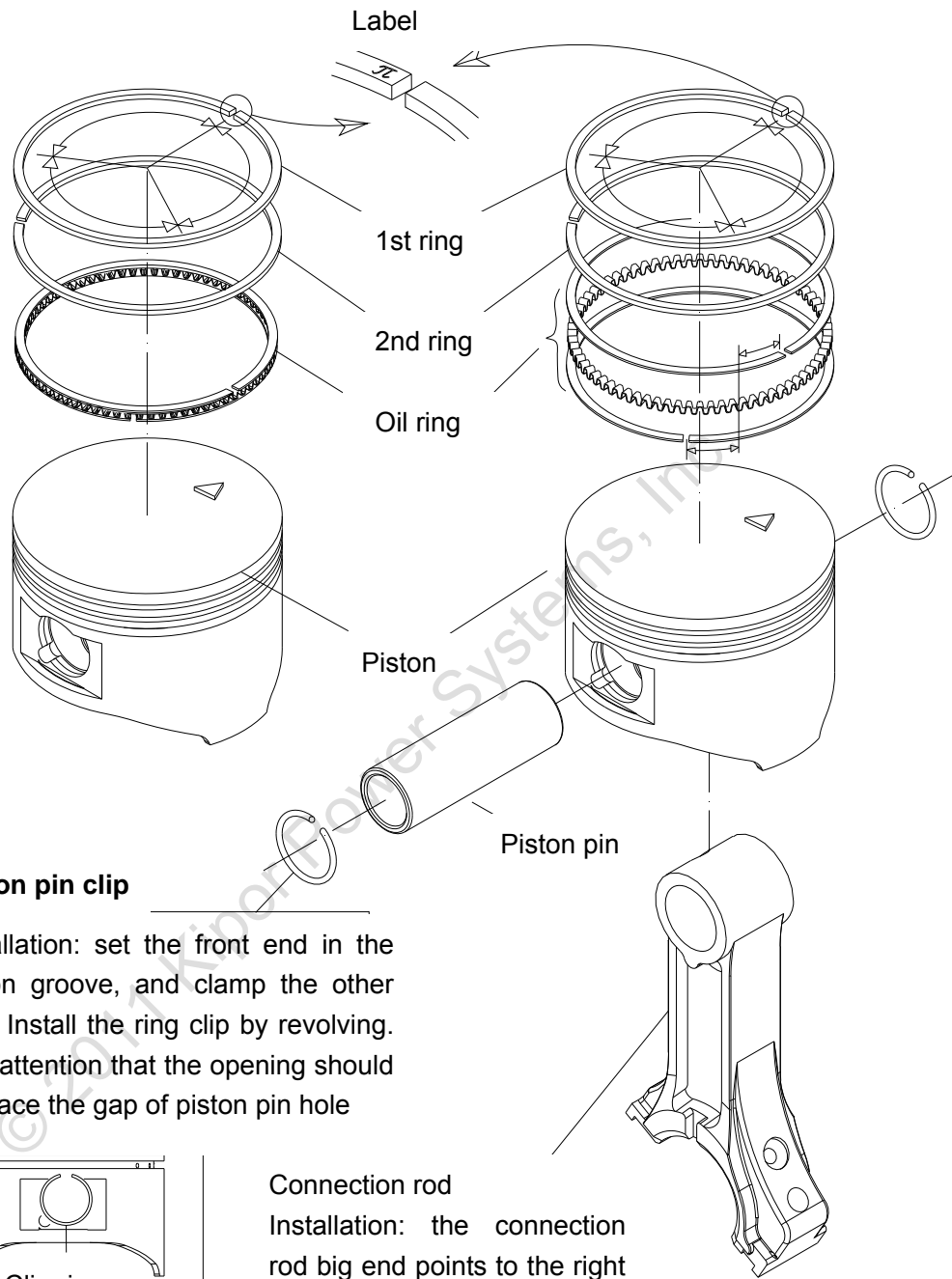
© 2017 Kipor Power Systems, Inc.

13. Crankshaft/ Piston

13.1 Disassembly/ Reassembly

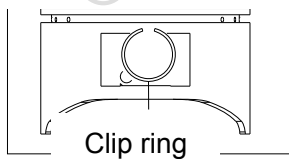


13.2 Piston/Connecting Rod



Piston pin clip

Installation: set the front end in the piston groove, and clamp the other end. Install the ring clip by revolving. Pay attention that the opening should not face the gap of piston pin hole

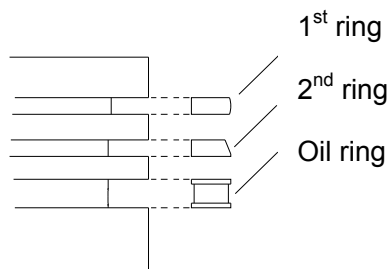


Connection rod
Installation: the connection rod big end points to the right side of piston \triangle label

Assembly of piston rings

Caution

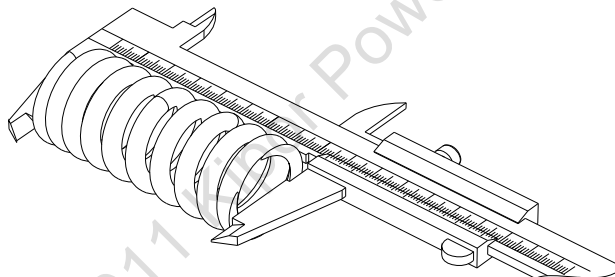
- Set the manufactory label upwards.
- Pay attention not to mix the location of the 1st ring and 2nd ring.
- Check the piston ring for flexibility after installation.
- Stagger each piston ring opening apart piston pin for 120° .



13.3 Inspection

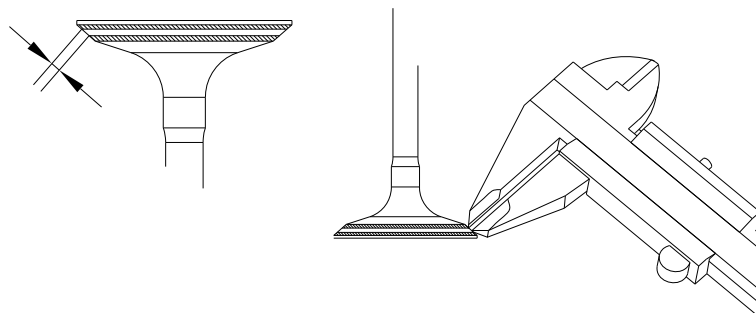
- Free length of valve spring

Standard(mm)	Service limit(mm)
26.4	24.9



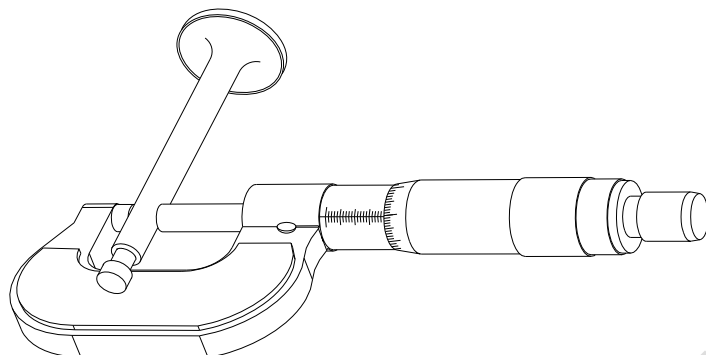
- Valve seat width

Standard(mm)	Service limit(mm)
0.7	1.8



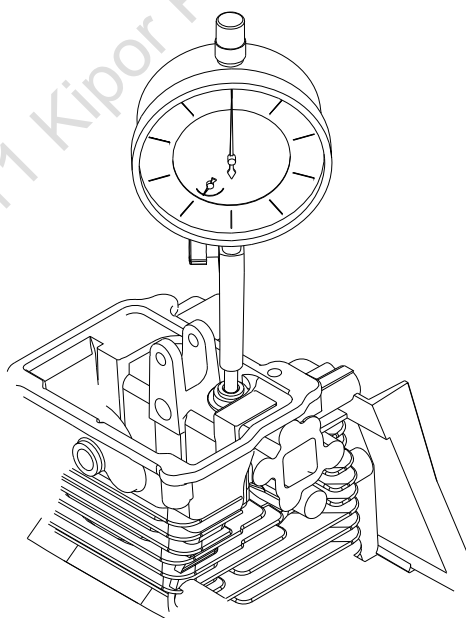
● Valve rod outer diameter

	Standard(mm)	Service limit(mm)
Inlet valve	3.965-3.980	3.90
Exhaust valve	3.955-3.970	3.90



● Valve guide pipe inner diameter

	Standard(mm)	Service limit(mm)
Inlet/Exhaust valve	4.000-4.030	4.060

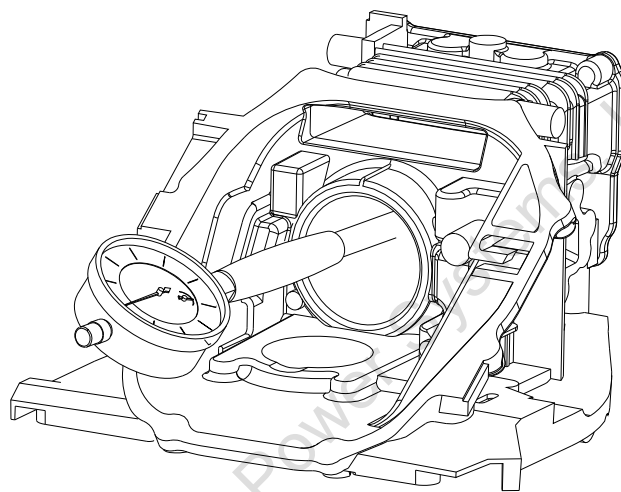


● Clearance between valve rod and valve guide pipe

	Standard(mm)	Service limit(mm)
Inlet valve	0.020-0.065	0.10
Exhaust valve	0.030-0.075	0.12

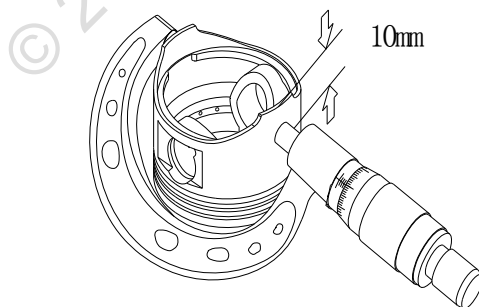
● Cylinder inner diameter

Standard(mm)	Service limit(mm)
58.000-58.020	58.105



● Piston skirt outer diameter

Standard(mm)	Service limit(mm)
57.960-57.980	57.850

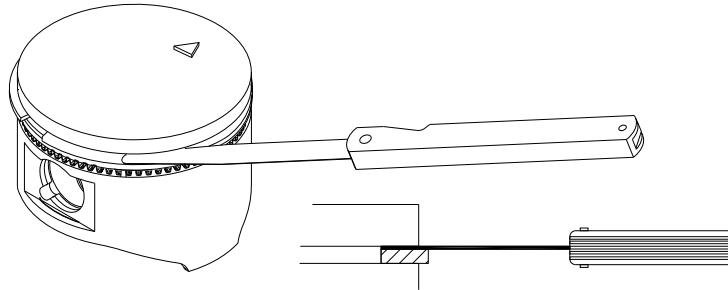


● Clearance between piston and cylinder

Standard(mm)	Service limit(mm)
0.020-0.042	0.120

● **Side clearance of piston ring**

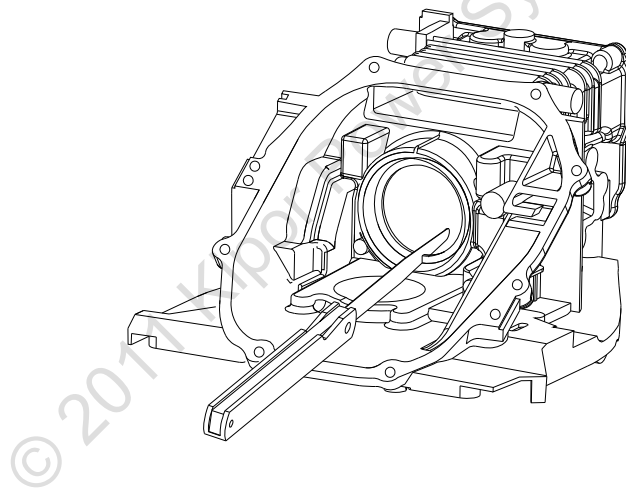
Standard(mm)	Service limit(mm)
0.02-0.06	0.15



● **Piston ring end clearance**

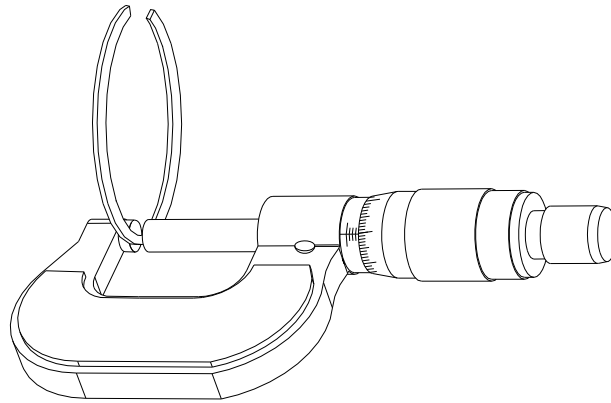
Locate the piston ring into cylinder with piston top, and measure the piston end clearance.

Standard(mm)	Service limit(mm)
0.15-0.25	1.0



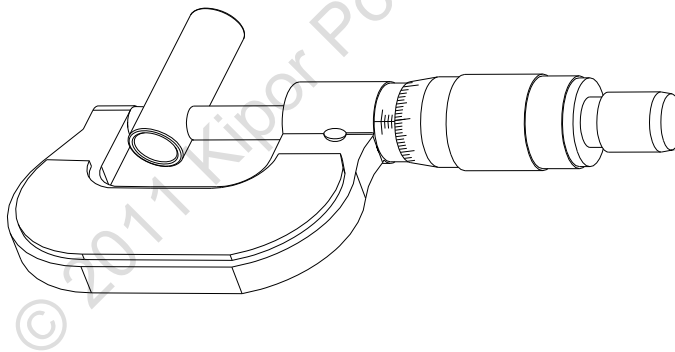
● **Piston ring height**

	Standard(mm)	Service limit(mm)
The 1 st ring	0.97-0.99	0.87
The 2 nd ring	1.17-1.19	1.107



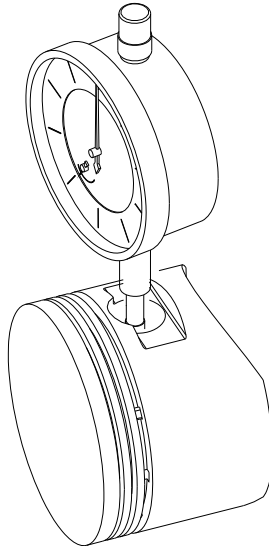
● **Piston pin outer diameter**

Standard(mm)	Service limit(mm)
12.994-13.000	12.950



● **Piston pin hole inner diameter**

Standard(mm)	Service limit(mm)
13.002-13.008	13.050

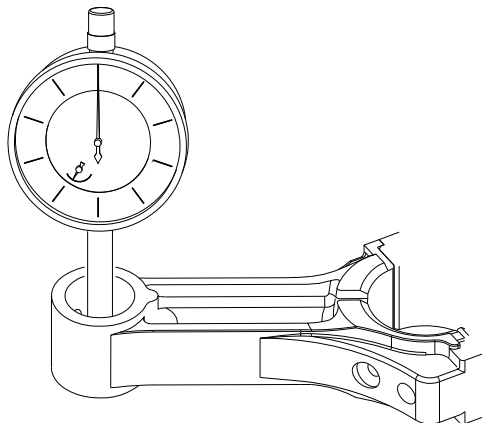


● **Clearance between piston pin and piston pin hole**

Standard(mm)	Service limit(mm)
0.002-0.014	0.080

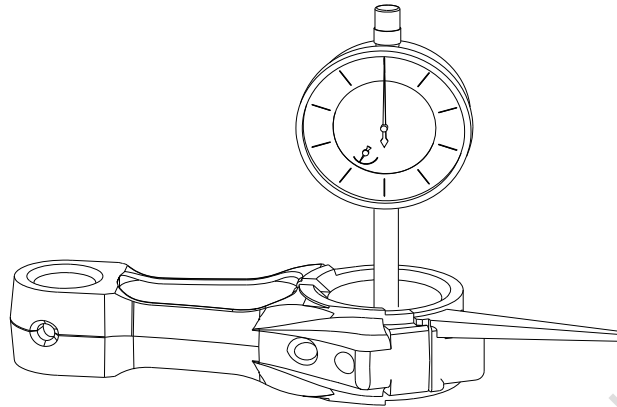
● **Connection rod small end inner diameter**

Standard(mm)	Service limit(mm)
13.006-13.017	13.080



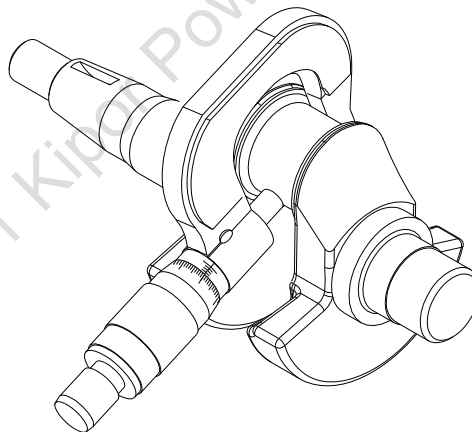
● **Connection rod big end inner diameter**

Standard(mm)	Service limit(mm)
24.020-24.033	24.090



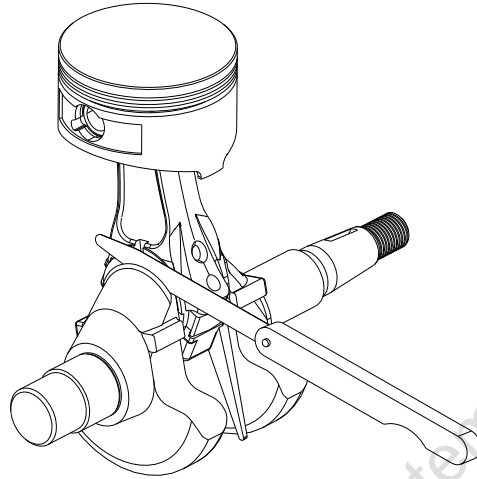
● **Crankshaft neck outer diameter**

Standard(mm)	Service limit(mm)
23.967-23.980	23.900



● **Connection rod big end side clearance**

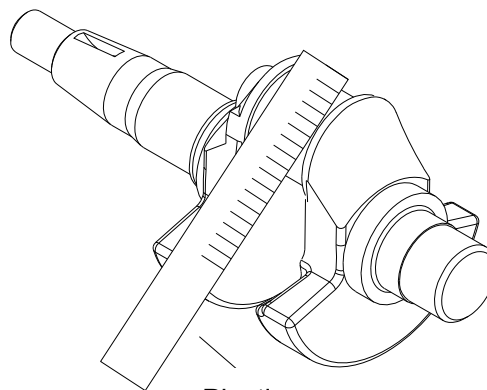
Standard(mm)	Service limit(mm)
0.1-0.4	0.8



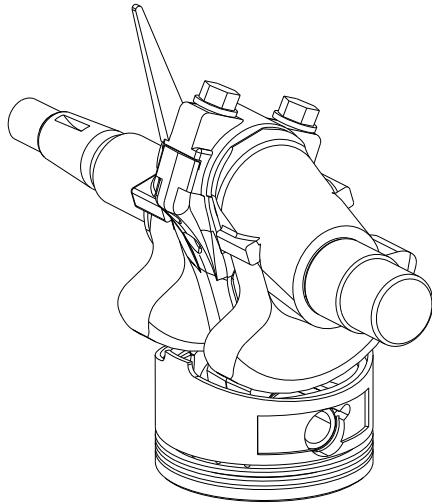
● **Oil film clearance of connection rod big end**

- (1) Wipe off the oil on the surface of crankshaft neck.
- (2) Set the plastic wire feeler at the crankshaft neck and install the connection rod. Tighten the bolt to the prescribed torque, pay attention that don't revolve the crankshaft. The tighten torque is 8 to 10N.m.
- (3) Disassemble the connection rod, measure the plastic wire feeler thickness.
- (4) Replace the connection rod if the clearance exceeds the service limit and measure the clearance again. Grind the crankshaft neck if the new clearance still exceeds the service limit, and use the connection rod less than the standard valve.

Standard(mm)	Service limit(mm)
0.040-0.066	0.120



Plastic gauge



● **Bearing vibration**

Clean the bearing and check the clearance between the crankshaft journal and connecting rod big end by revolving bearing by hand. Replace the bearing if there is abnormal noise or vibration.

