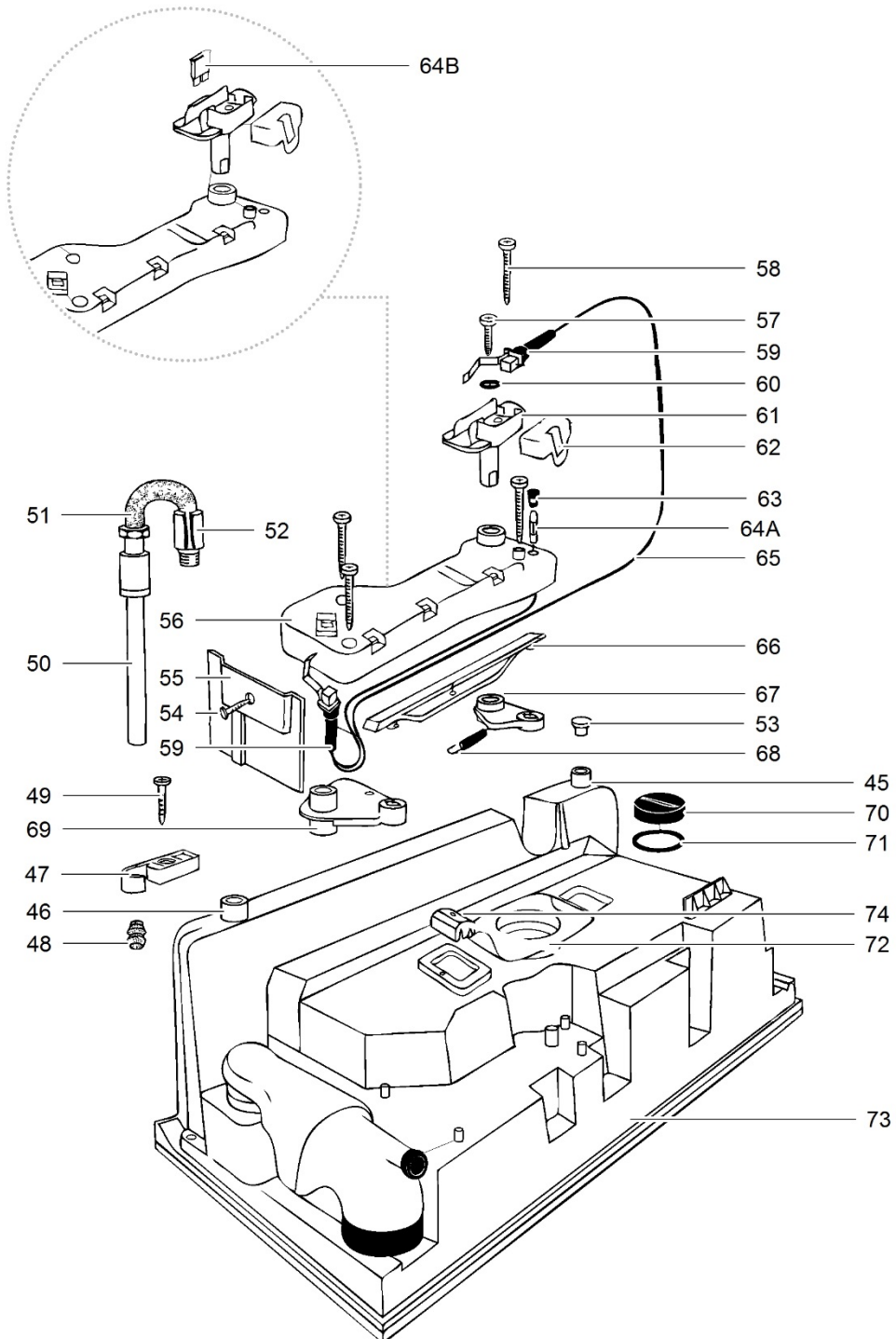


LE1149_C2 Toilet_0115-v02

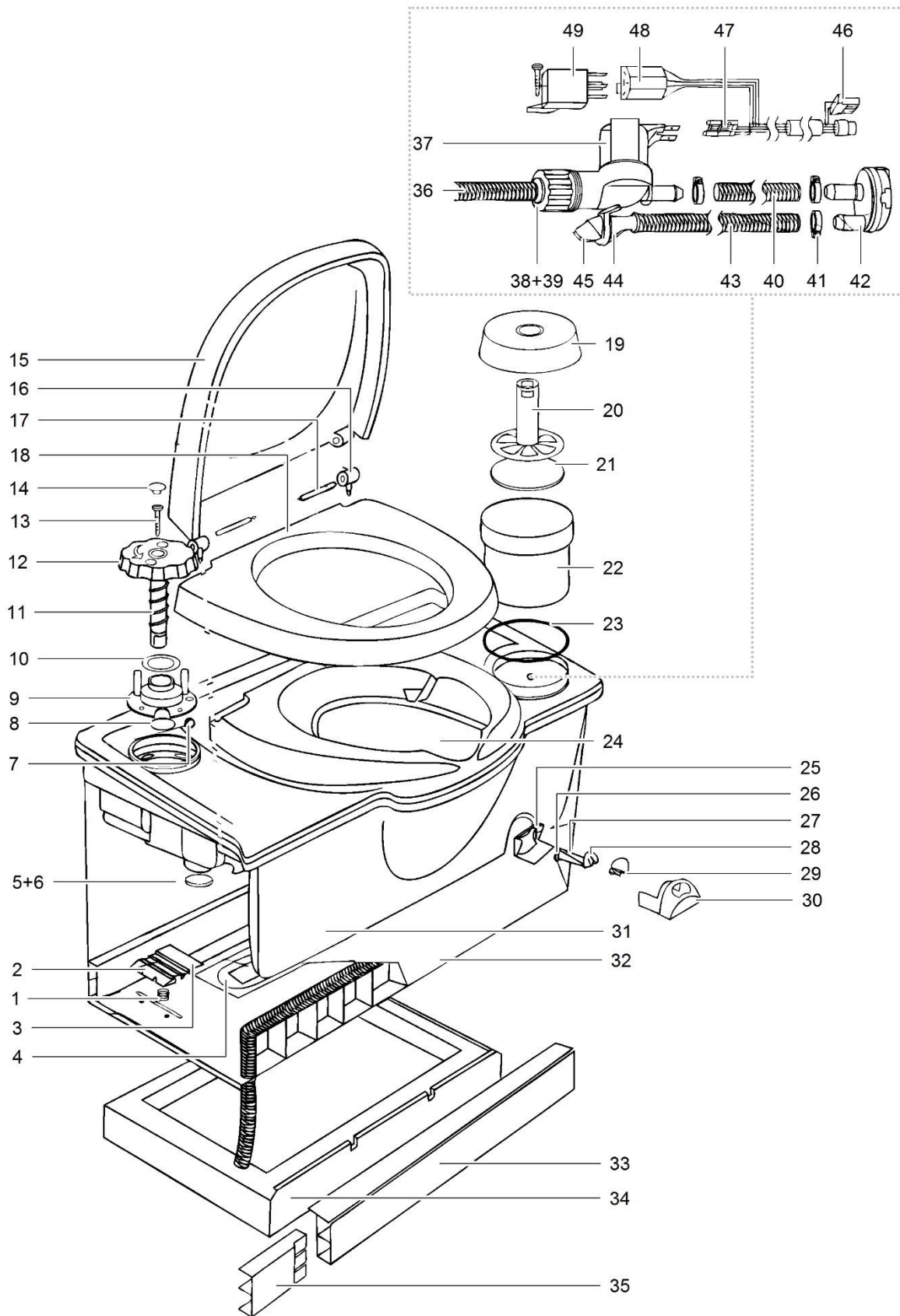
	Spare part number	Spare part number	Colours available	
1	Spring clip retainer	16169		
2	Clip retainer	16350	78	
3	Clip			
4	Drip tray	16166	78	
5	Draincap waterfill funnel	16385	78	
6	Waterfill funnel	16381	74	
7	Cap waterfill funnel		16848	16
8	O-ring			
9	Ball float			
10	O-ring			
11	Stop retainer	16377	62	
12	Nylon bushing			
13	Spring flush knob			
14	Flush knob			
15	Screw			
16	Plug flush knob			
17	Cover	16194	62	
18	Hinge post			16183
19	Hinge pin			
20	Seat			
21	Tissue cap			
22	Tissue holder			
23	Tissue bracket			
24	Tissuwell			
25	O-ring	16731		
26	Bowl			
27	Dial support	16171	62	
28	Magnet			
29	Level indicator dial			
30	Decal level indicator			
31	Lens			
32	Level indicator bezel			
33	Watertank			
34	Base			
35	Frontpanel			
36	Basepad			
37	Extension frontpanel	16266	62	
38	Pump	16374		
39	Pump retainer			
40	Screw			
41	Flush tube	16378	62	
42	O-ring			
43	Nozzle			
44	Flow restrictor			
45	Pump connector	21050		

xxxx is not available anymore



LE1151_C2_bench_1015-V03

		Spare part number	Spare part number	Colours available
46	Connection draintube			
47	Bracket			
48	Drain connector			
49	Screw			
50	Sight glass	21370	21371	
51	Draintube	<i>left handed version</i>	<i>right handed version</i>	
52	Clamp collar			
53	Blind plug			
54	Fastener			
55	Splash guard			
56	Mechanism housing			
57	Screw			
58	Screw			
59	Switch	20107		
60	Washer			
61	Saddle			
62	Switch cover	16390		10
63	Cap fuse holder			
64A	Glass fuse 3 Amp <i>Toilets produced < June 1994</i>	16391	16379	74
64B	Fuse 3 Amp <i>Toilets produced > June 1994</i>	21766		
65	Cable	16389		
66	Link			
67	Crank			
68	Spring			
69	Crank			
70	Plug fill bottle			
71	O-ring			
72	Bowlflange			
73	Bench/watertank			
74	Magnet basket			

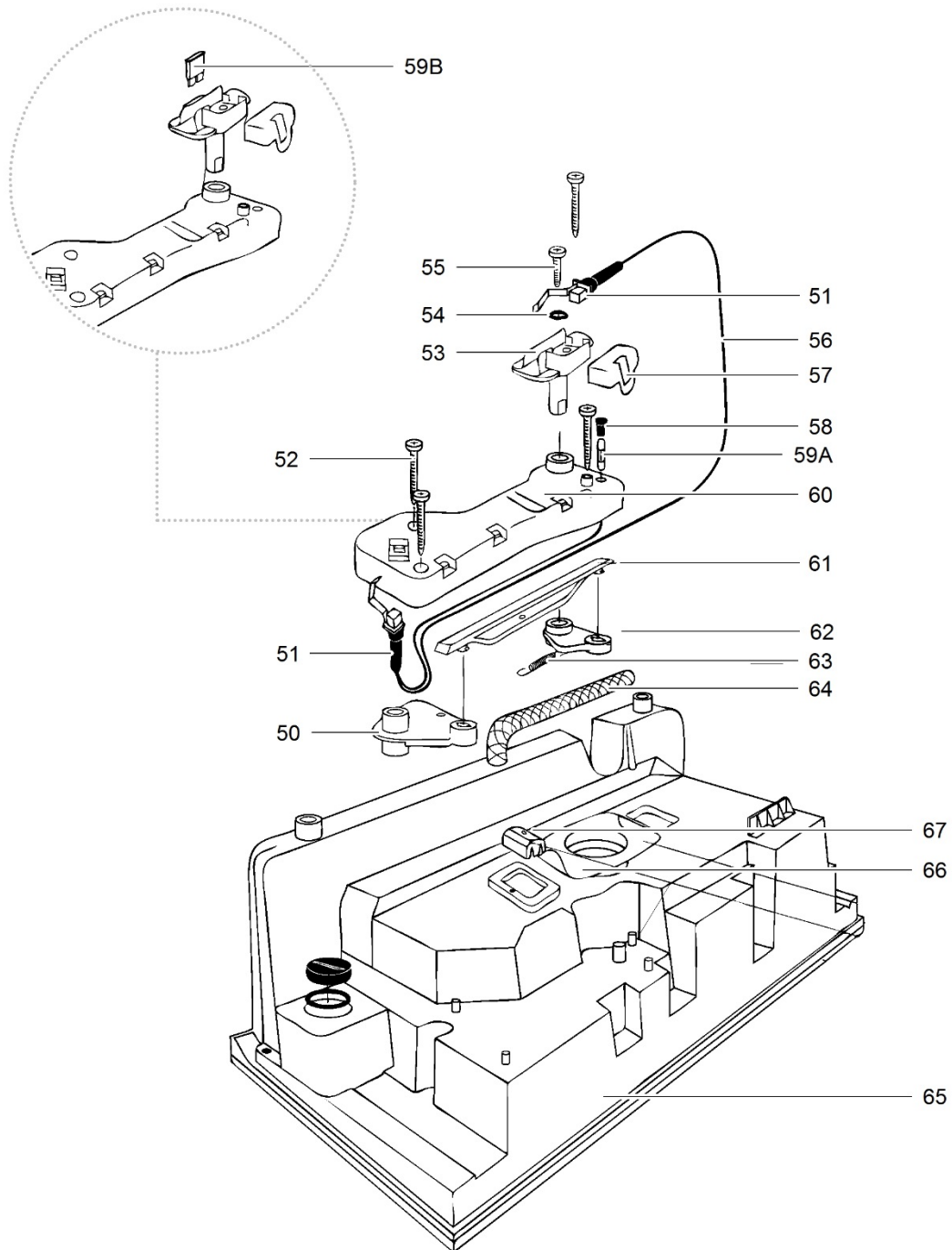


LE:152_C3-Toilet_0115-V02

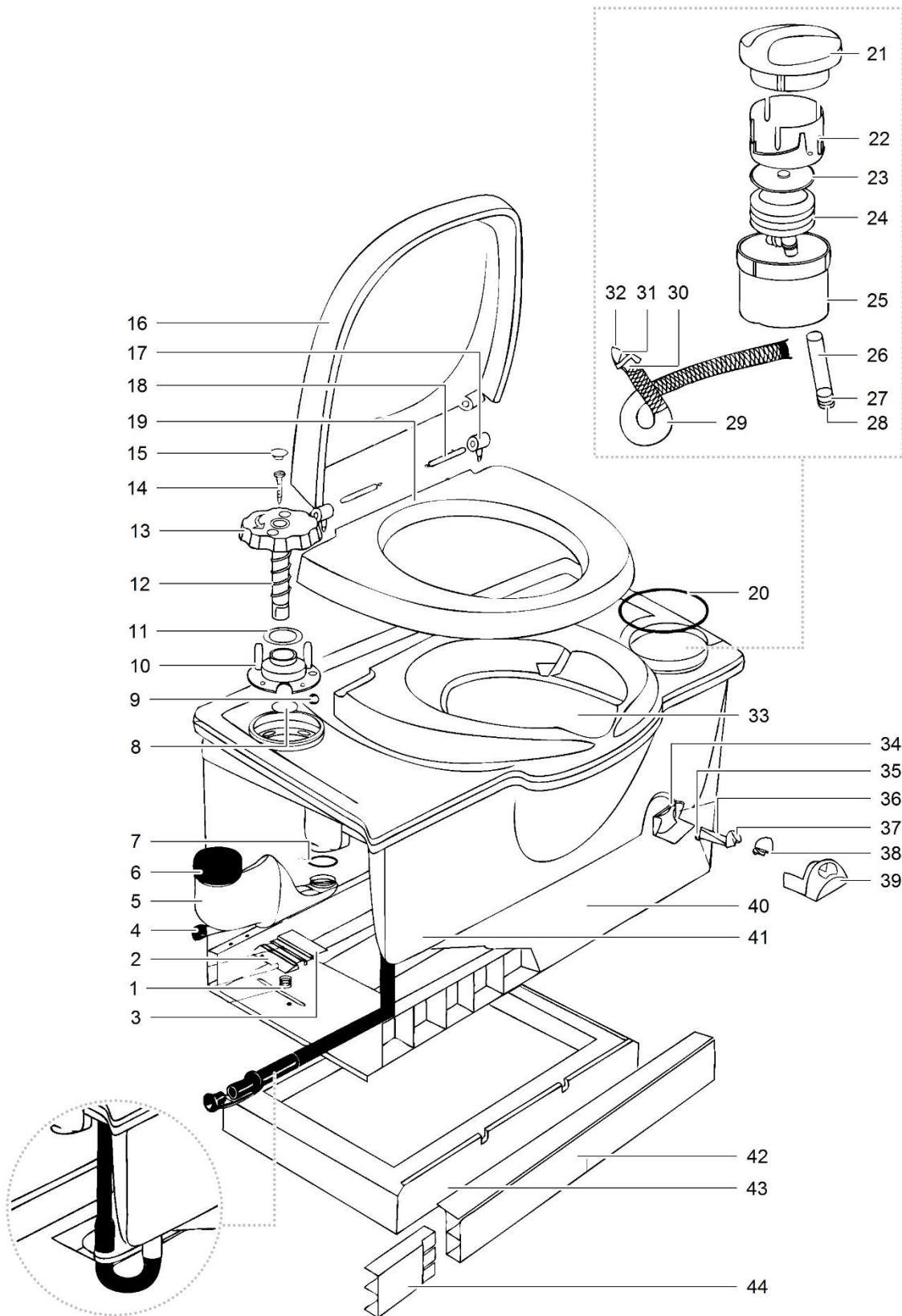
		Spare part number	Spare part number	Colours available
1	Spring clip retainer	16169		
2	Clip retainer		16350	78
3	Clip			
4	Drip tray	16166		78
5	Plug fill bottle			
6	O-ring		16381	74
7	Ball float			
8	O-ring			
9	Stop retainer			
10	Nylon bushing			
11	Spring flush knob		16377	62
12	Flush knob			
13	Screw			
14	Plug flush knob			
15	Cover			
16	Hinge post	16183	16194	62
17	Hinge pin			
18	Seat			
19	Tissue cap			
20	Tissue bracket			
21	Tissue holder			
22	Tissuwell			
23	O-ring	16731		
24	Bowl			
25	Dial support			
26	Magnet			
27	Level indicator dial		16171	62
28	Decal level indicator			
29	Lens			
30	Level indicator bezel			
31	Bench			
32	Base			
33	Frontpanel			
34	Basepad			
35	Extension frontpanel	16266		62
36	Watersupply tube			
37	Electric valve			
38	Hose barb	23851	23709	
39	Hose nut			
40	Watertube			
41	Clamp		16833	
42	Vacuumbreaker			
43	Flush tube			
44	O-ring		20103	62
45	Nozzle			

Xxxxx is not available anymore

		Spare part number	Spare part number	Colours available
46	Electric connection mechanism			
47	Electric connection valve			
48	Electric connection relais			
49	Relais	20106		



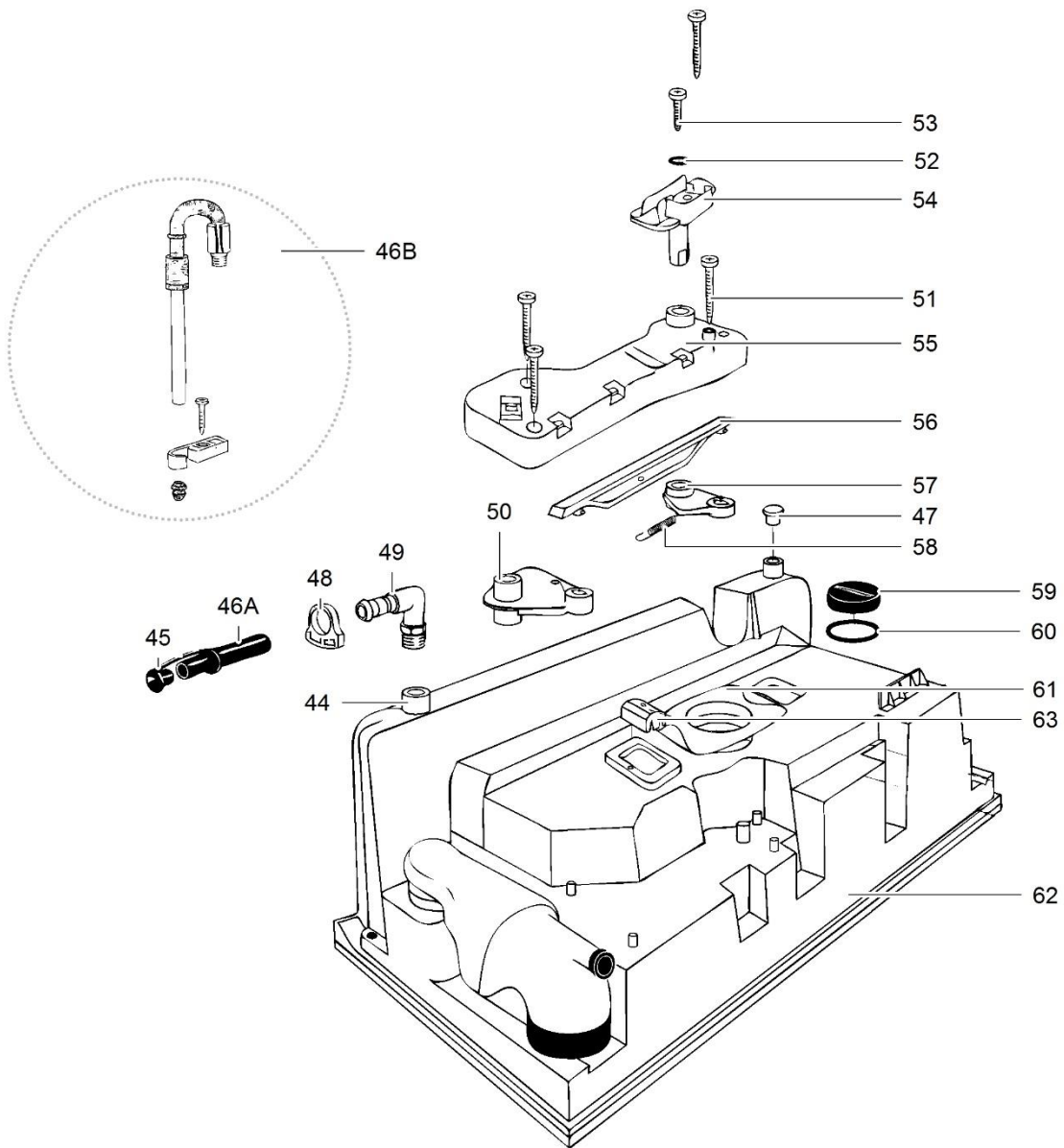
		Spare part number	Spare part number	Colours available
50	Crank			
51	Switch	20107		
52	Screw			
53	Saddle			
54	Washer			
55	Screw			
56	Cable	16389		
57	Switch cover	16390		
58	Cap fuse holder			
59A	Glass fuse 3 Amp <i>Toilets produced < June 1994</i>	16391	16379	74
59B	Fuse 3 Amp <i>Toilets produced > June 1994</i>	21766		
60	Mechanism housing			
61	Link			
62	Crank			
63	Spring			
64	Watersupply tube			
65	Bench			
66	Bowlflange			
67	Magnet basket			



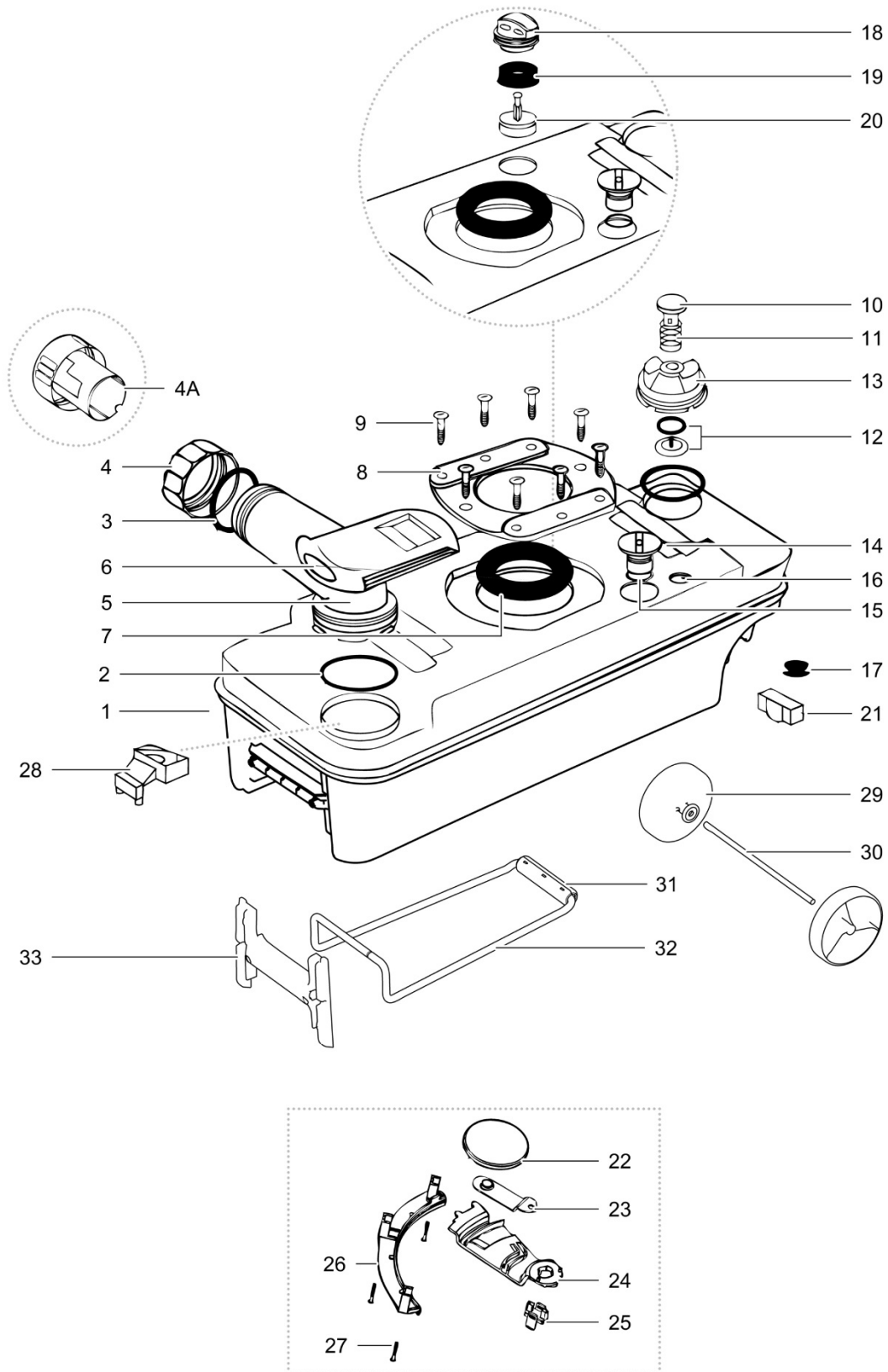
LE:1154_C4-Toilet_1114+V02

		Spare part number	Spare part number	Colours available
1	Spring clip retainer	16169	16350	78
2	Clip retainer			
3	Clip			
4	Draincap waterfill funnel	16385	16381	78
5	Waterfill funnel			74
6	Cap waterfill funnel	16848		16
7	O-ring			
8	O-ring			
9	Ball float			
10	Stop retainer		16377	62
11	Nylon bushing			
12	Spring flush knob			
13	Flush knob			
14	Screw			
15	Plug flush knob			
16	Cover		16194	62
17	Hinge post	16183		
18	Hinge pin			
19	Seat			
20	O-ring	16731		
21	Flush cap		20291	10, 62
22	Cylinder flush			
23	Bellow cap			
24	Bellow	21065		
25	Well pump			
26	Inlet tube		21066	
27	Check valve body			
28	Check valve flapper			
29	Flush tube		20292	62
30	Seal/plunger/spring			
31	O-ring			
32	Nozzle			
33	Bowl			
34	Dial support		16171	62
35	Magnet			
36	Level indicator			
37	Decal level indicator			
38	Lens			
39	Level indicator bezel			
40	Base			
41	Water tank			
42	Front panel			
43	Basepad			
44	Extension front panel	16266		62

xxxxx is not available anymore

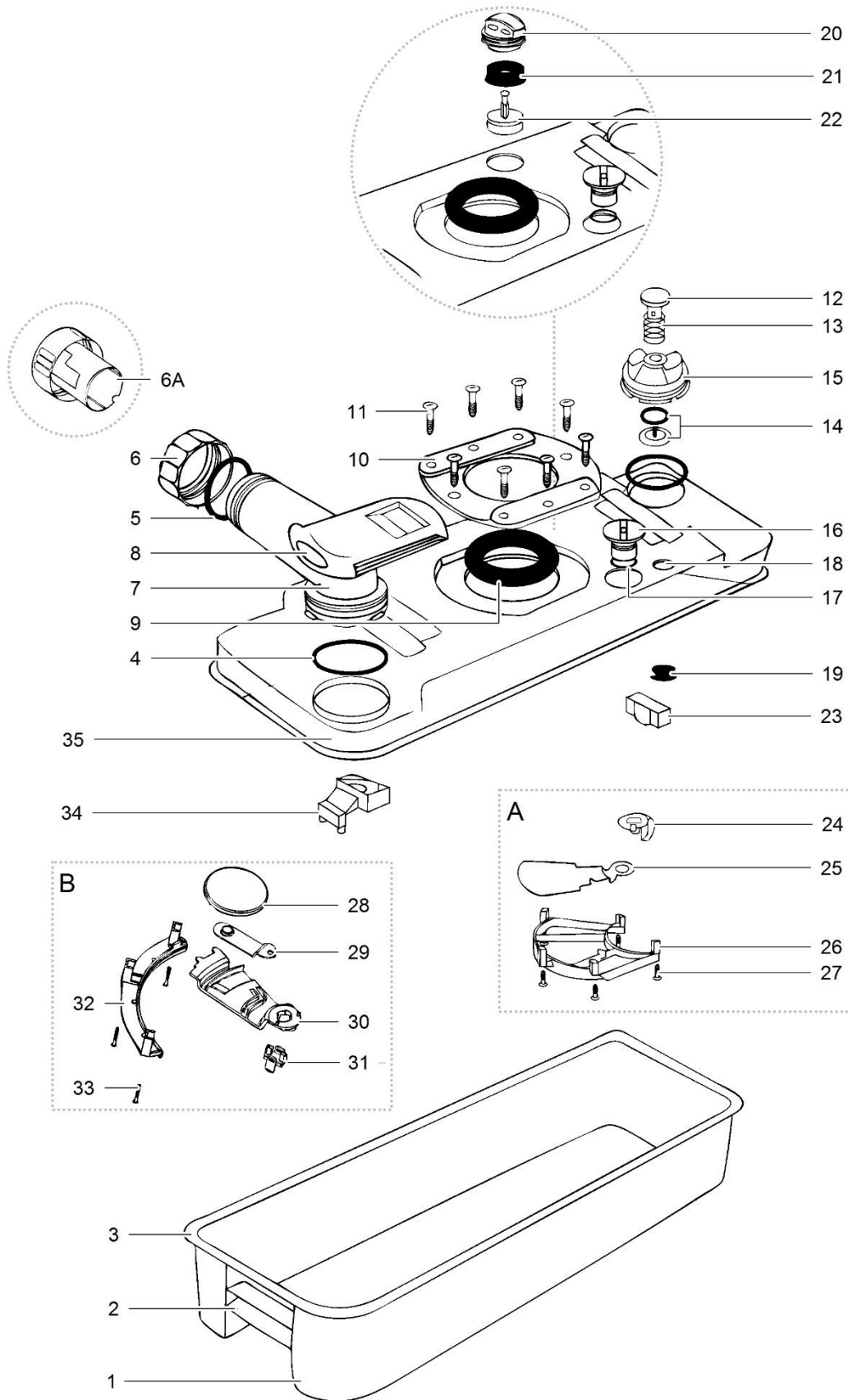


		Spare part number	Spare part number	Colours available
44	Connection draintube			
45	Draintube plug			
46A	Draintube <i>Toilets produced < March 1998</i>			
46B	Draintube <i>Toilets produced > March 1998</i>	21370 <i>left handed version</i>	21371 <i>right handed version</i>	
47	Blind plug			
48	Clamp			
49	Adaptor draintube			
50	Crank		20325	74
51	Screw			
52	Washer			
53	Screw			
54	Saddle			
55	Mechanism housing			
56	Link			
57	Crank			
58	Spring			
59	Plug fill bottle			
60	O-ring			
61	Bowl flange			
62	Bench/watertank			
63	Magnet basket			



LE1156_C2-C3-C4-Waste-holding Tank_0416-V04

	Spare part number	Spare part number	Spare part number	Colours available	
1	Waste-holding tank				
2	O-ring				
3	16195	16384	16196	78	
4	Dump cap			74	
4A	Measuring cup			78	
5	Pour out spout				
6	Sliding cover			74	
7	Lip seal			23721	
8	Seal cover				
9	Screw				
10	07524		16176	78	
11	Spring				
12	Seal retainer			74	
13	Ventplug				
14	Blade opener		200501	74	
15	Cupseal				
16	Venthole				
17	Ventseal			20339	
18	Automatic vent upper			23722	
19	Seal automatic vent		74		
20	Foam				
21	Float vent			21510	
Blade mechanism					
22	Blade			23847	
23	Blade arm				
24	Blade arm driver				
25	Drive arm retainer				
26	Track support				
27	Screw				
28	Float arm			21322	
29	Wheels 2X		200640	142	
30	Axis				
31	Grip transport handle		200643	74	
32	Transport handle				
33	Transport bracket			200644	
Waste holding tank complete					
	<i>Including sliding cover, wheels and handle</i>		200638 <i>right handed version</i>	200639 <i>left handed version</i>	74



LE1156_C2-C3-C4-Waste-holding Tank_0115-V03

Colour Numbers	Description	Colour reference
06	Slate Grey	RAL 7015
07	Traffic Grey	RAL 7042
10	Ivory-United States	Not available
16	Turquoise Green	RAL 6016
30	Mocha	NCS S 2005-Y40R
38	Grey Beige	RAL 1019
44	Beige-Europe	PMS 05543P
47	White/Silver	Not available
57	Creamy White	RAL 9001
62	White/Grey	Not available
66	Light Ivory	RAL 1015
68	Grey White	RAL 9002
74	Moon Grey	Pantone 417
78	Yellow	RAL 1003
79	Edelweiss	Ideal-Std. 46
88	Grey-Brown	Not available
89	Granite	Not available
90	Anthracite Grey	RAL 7016
92	Orange	Not available
111	Signal White	RAL 9003
127	White	NCS S 0300-N
130	Ruby Red	RAL 3003
132	Signal Black	RAL 9004
133	Agate Grey	RAL 7038
135	Light Grey Granite	Not available